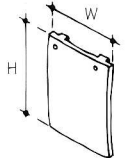


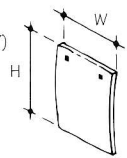


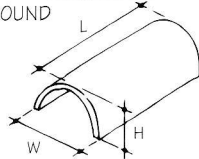
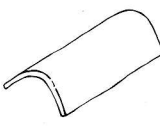
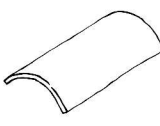
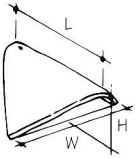
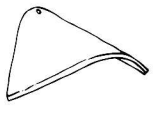

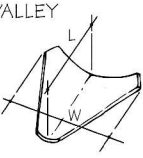


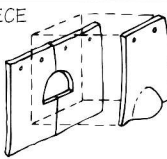
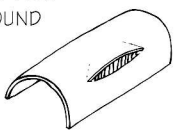

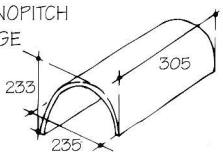
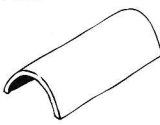
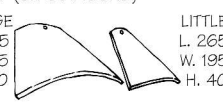
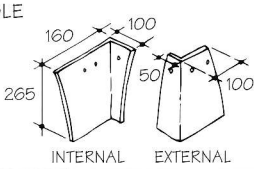
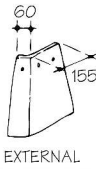


PLAIN TILE  H. 265 W. 165	EAVES TILE  H. 200 W. 165	GABLE TILE  H. 265 W. 248	PLAIN TILES
PEG TILE (KENT or COUNTY)  H. 250 W. 150	PEG EAVES  H. 190 W. 150	PEG GABLE  H. 250 W. 225	
HALF ROUND  L. 305 W. 235 H. 125	HOGBACK  L. 305 W. 235 H. 125	THIRD ROUND  L. 305 W. 235 H. 95	RIDGE TILES
STANDARD BONNET 40-50°  L. 270 W. 310 H. 95	TRADITIONAL BONNET 40-45°  L. 280 W. 335 H. 95	KENT BONNET 50-60°  L. 235 W. 255 H. 90	
STANDARD VALLEY 40-50°  L. 255 W. 305	GULL WING VALLEY (CAMBERED) 40-45°  L. 255 W. 320	60° VALLEY 50-60°  L. 255 W. 290	VALLEY TILES
THREE PIECE VENT SET 	LOUVRED VENT HALF ROUND 	LOUVRED VENT HOGBACK 	
MONOPITCH RIDGE  233 235 305	PORCH RIDGE  L. 305 W. 180 H. 90	'LITTLE & LARGE' BONNET 60°+ (ON OCTAGONS)  LARGE L. 255 W. 325 H. 70 LITTLE L. 265 W. 195 H. 40	MISCELLANEOUS TILES
VERTICAL ANGLE 90° (HANDED)  160 100 265 50 INTERNAL EXTERNAL	VERTICAL ANGLE 135° (HANDED)  60 155 EXTERNAL	VERTICAL ANGLE TILES	

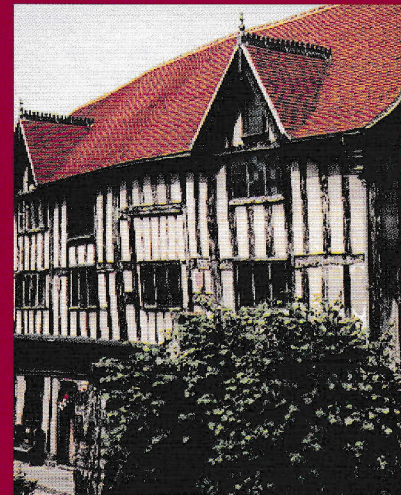
Keymer hand made clay fittings

So adaptable are Keymer's unique hand made methods that the master tile craftsman can create fittings to almost any specification.

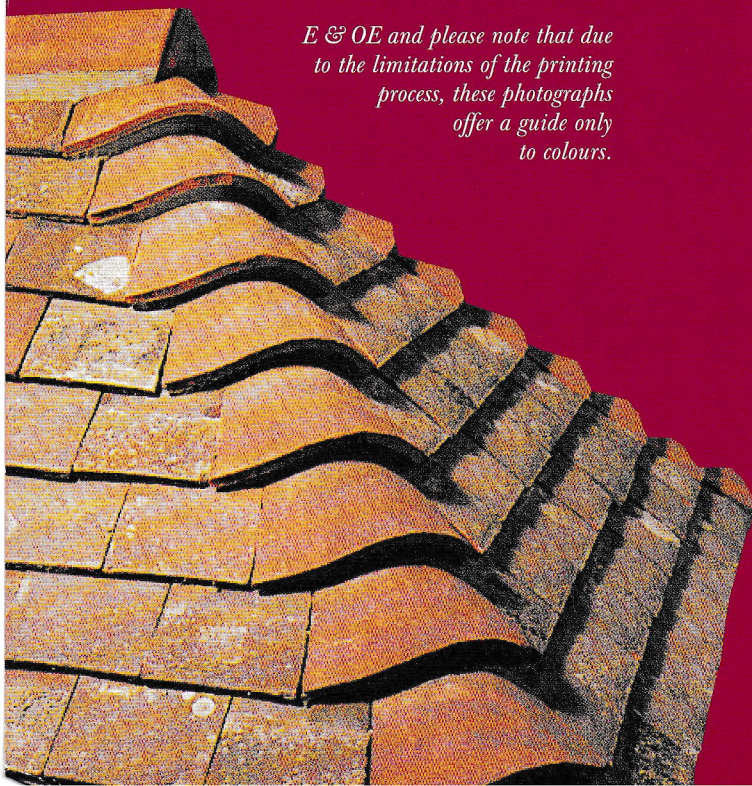
All products are manufactured under a Quality Assurance System approved by BSI, Certificate No. Q5516 and conform to the performance criteria of EN ISO 9002.

Keymer Technical Services provide expert advice on design, product suitability and application. You can even discuss your special needs with the master tile maker.

The Keymer range of tiles and fittings is only limited by the customer's imagination.



E & OE and please note that due to the limitations of the printing process, these photographs offer a guide only to colours.



Certificate No Q05516



For further details please contact the Keymer sales office on 01444 232931.

KEYMER hand made clay tiles

Nye Road Burgess Hill
West Sussex RH15 0LZ
Telephone 01444 232931
Fax 01444 871852
e-mail info@keymer.co.uk
Web www.keymer.co.uk

