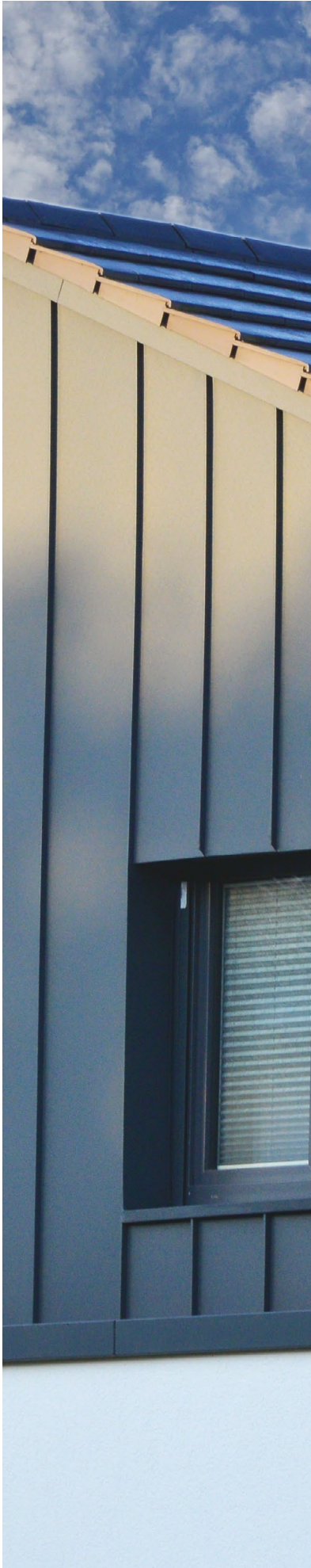




STANDING SEAM

Installation Guide,
Aftercare and FAQs

CLADCO
PROFILES



TIPS

- If installing Roofing and Cladding together, install the Cladding first.
- Standing Seam Sheets should be installed from right to left.
- For Roofing-only installations, J-Rail Flashings will not be required as part of the installation.



PREPARATION

- We recommend installing Standing Seam Roofing Sheets onto OSB or plywood boards with a minimum thickness of 18mm to allow enough backing and support for the fixings.
- Ensure all supporting OSB or plywood is covered with a breathable, waterproof membrane. This membrane should be secured using nails instead of staples.



HANDLING & CARE

Care should be taken when handling metal Sheets to prevent damage or injury during installation. If possible, mechanical handling equipment should be used. Dragging one Sheet across another when unloading may cause scratching, so make sure the Sheet is lifted clear. Any packaging should be removed before lifting Sheets onto a roof.



SAFETY

Roofing work can be hazardous. Caution should be exercised and appropriate safety precautions taken, including the wearing of suitable protective gloves, clothing, footwear and a hard hat.

TOOLS



Hemming Tools

Used to fold and smooth out upstands and improve folds down the edges of the Sheets.



Handheld Circular Saw

Used to cut Sheets, Flashings and Rails to size.



Small Seaming Pliers

Used to close off/seal seams over Z Bars and Ridge Backing Plates. Coat with protective tape to avoid marking Sheets.



Tin Snips

Used to make smaller cuts/adjustments to Flashings and Rails.



Eaves Closer

Used to clamp/close the lip on a Standing Seam Sheet over an Eaves Flashing or Ridge Flashing.



CTI And Butyl Tape

Used to seal and secure Flashings in place and seal edges.



Rubber Mallet

Used to knock Standing Seam Sheets in line or to connect two seams.



Breathable Membrane

Must be installed over OSB or plywood before fixing Sheets.

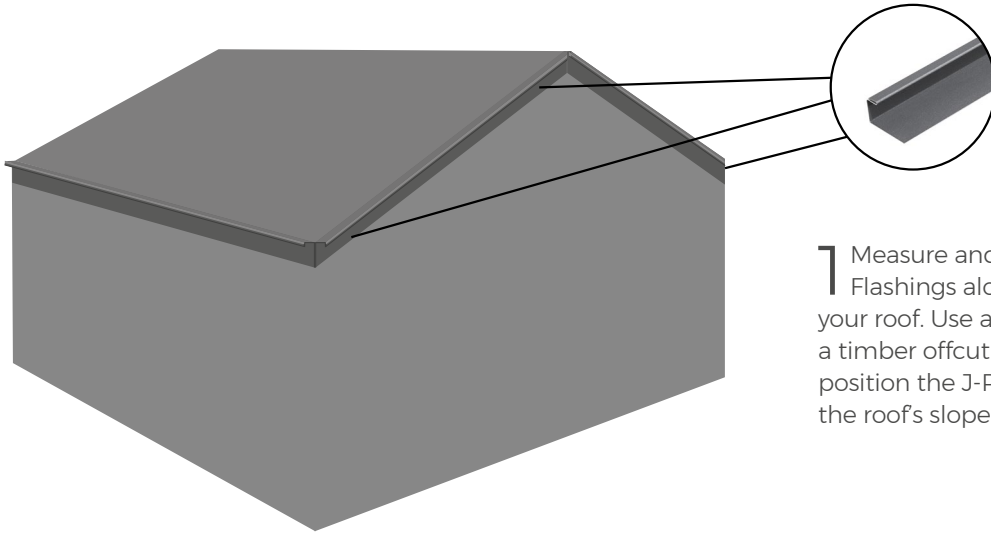


Annular Ring Nails

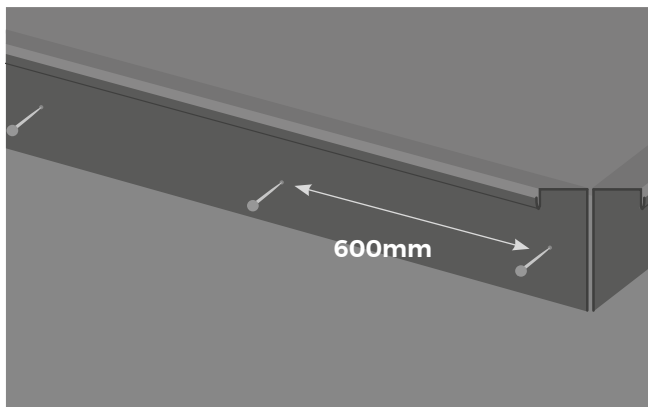
Used to secure Standing Seam Sheets and Flashings in place.

CLADDING INSTALLATION

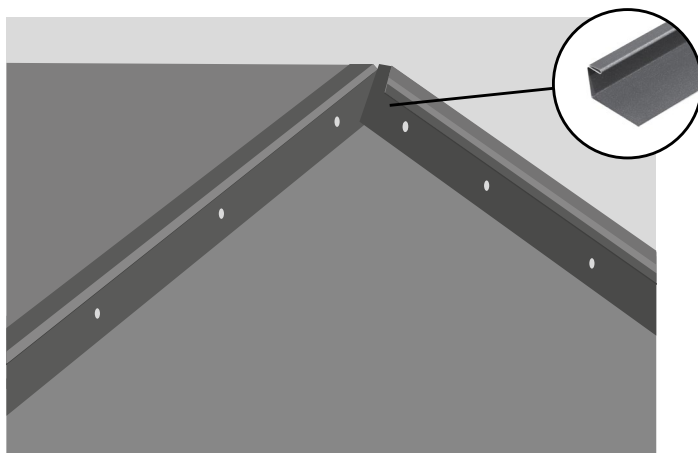
Cladding must be installed first if installing Roofing as well.



1 Measure and cut J-Rail Flashings along the eaves of your roof. Use a guide such as a timber offcut or spirit level to position the J-Rail in line with the roof's slope.

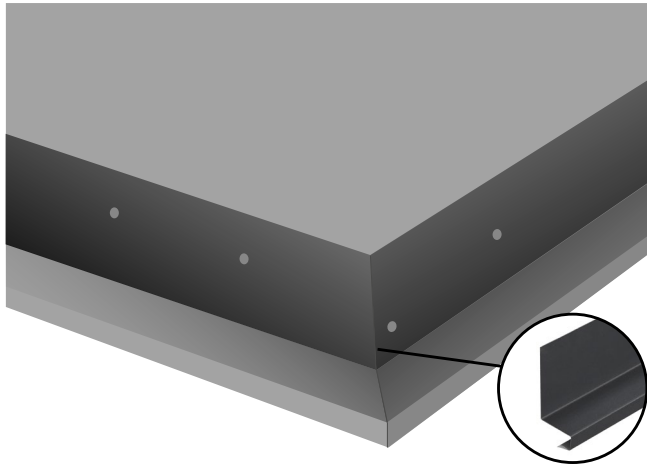


2 To secure a J-Rail Flashing, fix Ring Nails through the 60mm flat section. Five nails per length of Flashing should be used. Apply butyl tape or silicone sealant behind the J-Rail Flashings before securing them into place.



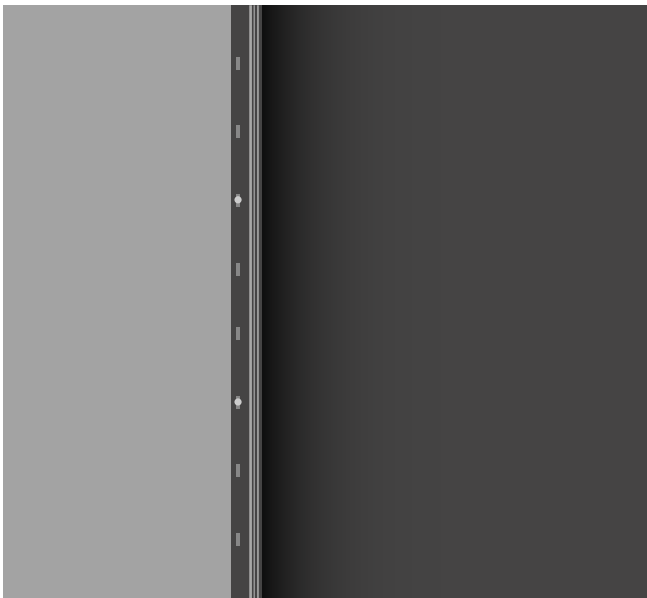
3 For gable ends, align the J-Rail Flashings flush to the roof pitch. Where the two Flashings meet end to end at the apex, allow for the flat sections to overlap. Secure the J-Rail Flashings in place using Ring Nails.

CLADDING INSTALLATION



4 At the base of the Cladding area, mark the position of the Drip Tray Flashing. The length of the Standing Seam Sheets will determine the Flashing's position. Start with the longest side and mark the position of the Flashing along the base. Temporarily attach the Flashing to align and mark a cutting line for the Flashing.

5 Use straight-cut tin snips to cut off the overhanging Drip Tray Flashing and create a diagonal overlap around corners. Once measured and cut, the Flashing can be secured into place using Ring Nails and silicone sealant or butyl tape.



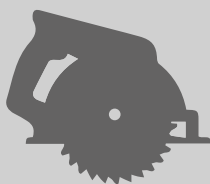
6 Working from right to left, measure the length of the first Sheet to fit between the J-Rail and the Drip Tray Flashings. If you are centralising the cladding with the wall or roof, adjust the first Sheet's width using a handheld circular saw accordingly to fit.

7 Ensure the edge of the first Sheet is square to the installation. Secure the Sheet with Ring Nails every 3-4 holes (200mm) down the left side. The outside edge of the Sheet (with the seam removed) can be secured through the Sheet as the nail heads will be hidden.



TOP TIP

When using Ring Nails, fix centrally in the fixing holes to allow for expansion and contraction in both directions.

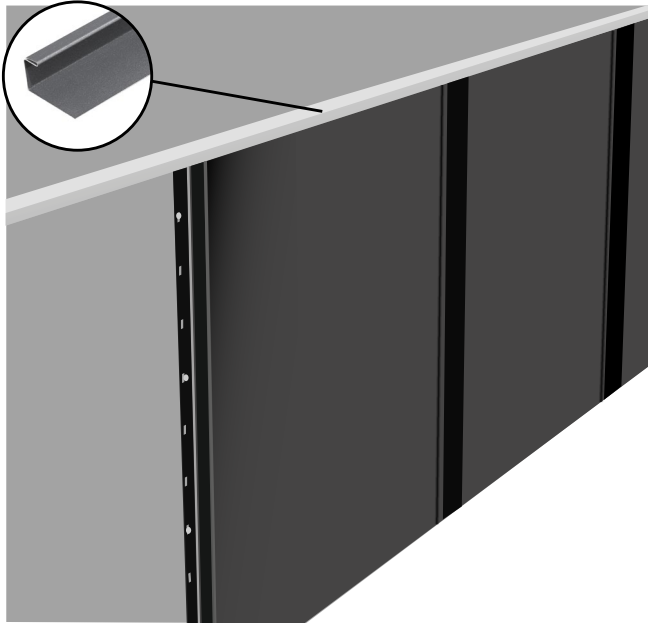


AVOID SCRATCHES

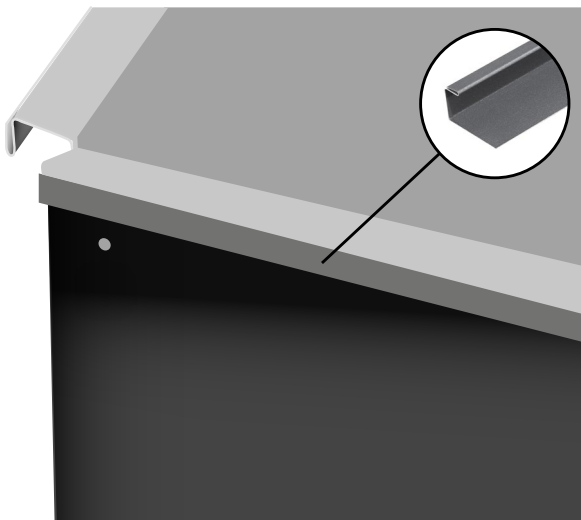
Remove any swarf from the circular saw after each cut to avoid scratching the coating.

8 Slide the second Sheet up into the J-Rail to align with the first Sheet. Using a rubber mallet, gently tap the base of the Sheet to nudge into place. Once in place, use the mallet to connect the two Sheets over the seam from top to bottom.

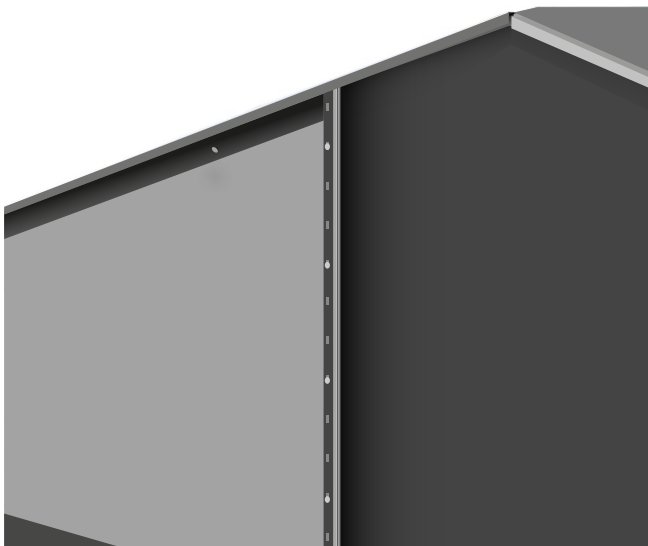
CLADDING INSTALLATION



9 Secure the Sheet in place using Ring Nails every 3-4 fixing holes (200mm). Continue securing the rest of the Cladding Sheets following the previous step until you get to the last Sheet. Measure the width of the final Sheet and cut it to size along the fixings side of the Sheet to complete the final run of Cladding along the wall.

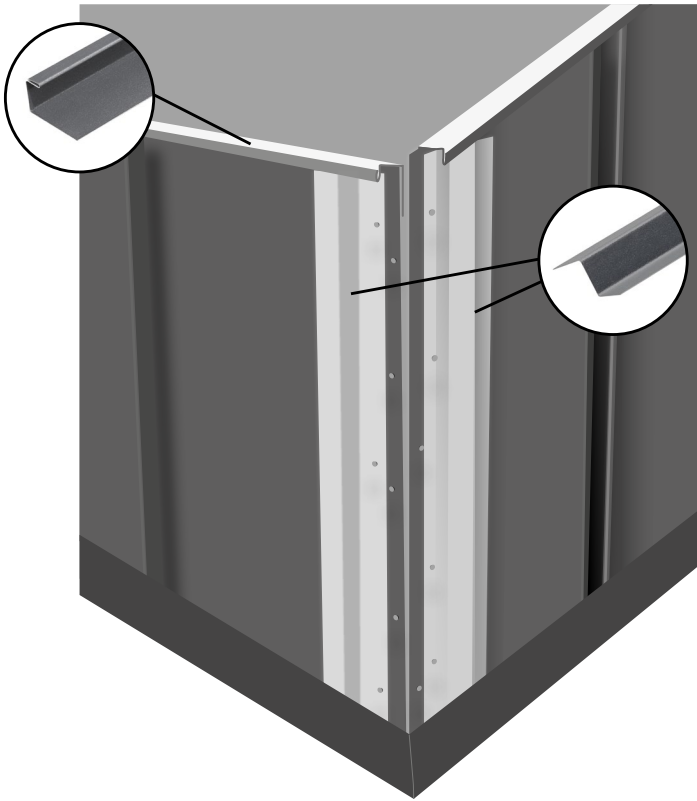


10 Position and secure the Sheet over the seam using a rubber mallet to tap into place. Using Ring Nails, secure the left side of the last Sheet down the edges of the corner (one nail every 200mm).



11 Continue to install Sheets to all walls and at gable ends, adjusting the angle of the cut edge according to the roof's pitch. Sheets can be centralised with the apex of the roof and fixed in place using Ring Nails every 3-4 fixing holes (every 200mm).

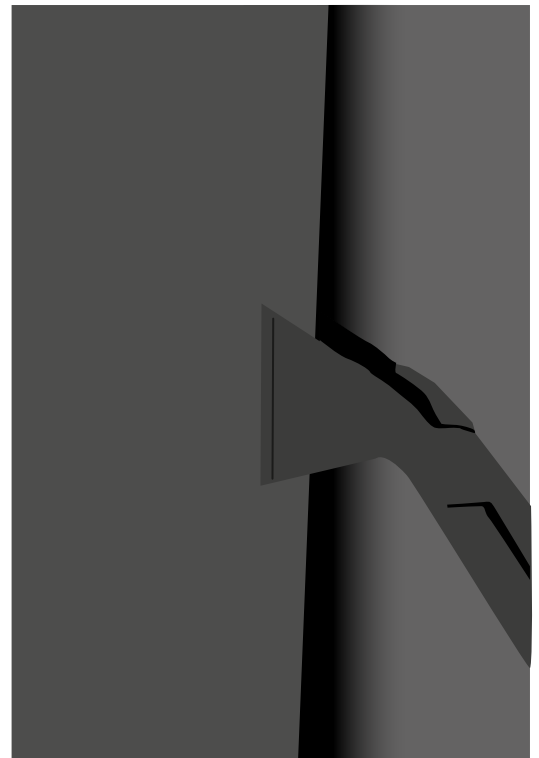
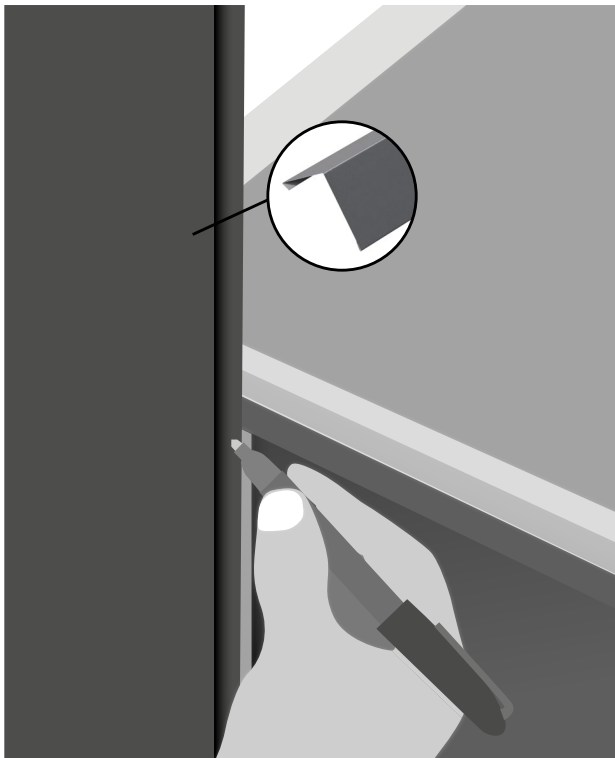
CLADDING INSTALLATION



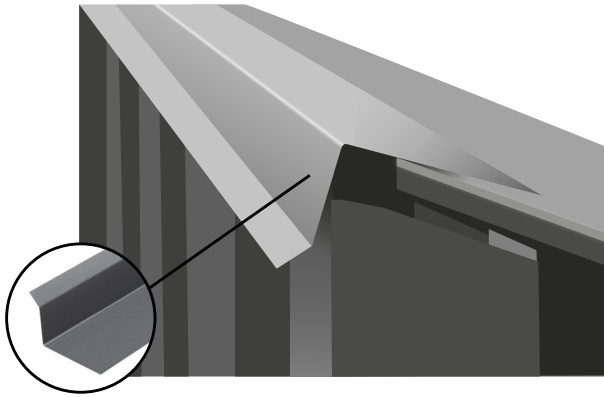
12 Measure and cut Z Bars to fit at the corner of a wall on either side. Install one Z Bar 90mm from the exterior edge. To better gauge its position, place a Corner Flashing section over the Bars and mark where the Z Bar will go on the adjoining wall.

13 Apply two beads of silicone sealant to fix Z Bars in place and secure using Ring Nails every 200mm down the length of the Bar.

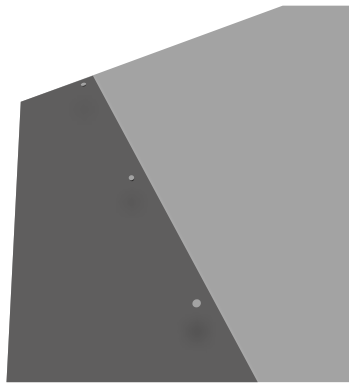
14 Measure the length of your Corner Flashing and cut using a circular saw. Slot the Flashing over the Z Bars and clamp both edges of the Flashing using seaming pliers to secure in place.



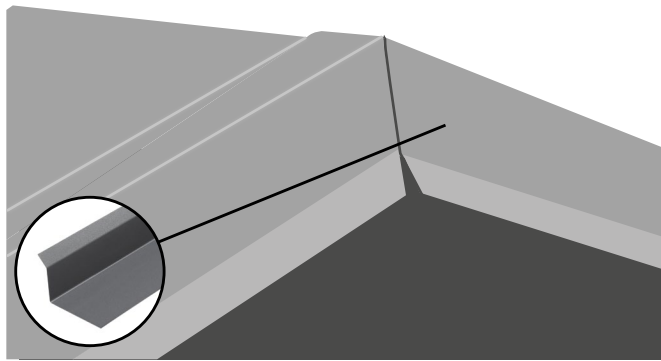
ROOFING INSTALLATION



1 If you are installing a mono-pitched roof, start by measuring and fixing Mono Ridge Backer Plates along the top edge of the roof using Annular Ring Nails. If you are installing a dual-pitched roof, move on to the next step.

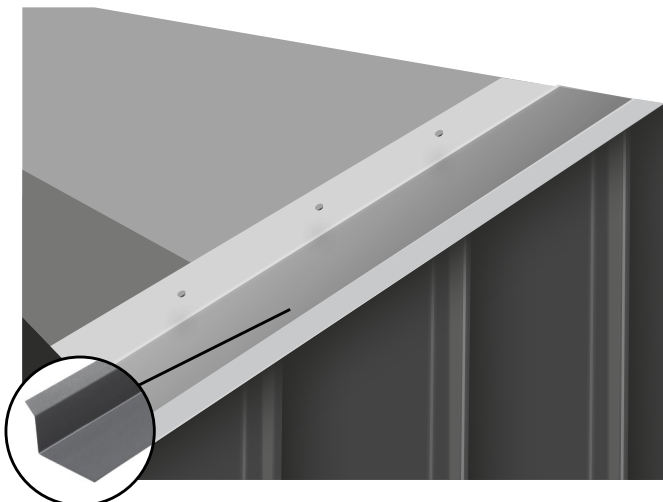


2 Measure the Eaves Flashing across the lower edge of the roof. The length of the Flashing should include the J-Rails (30mm) if installed alongside cladding. For roofing installations only, Eaves Flashings are used alongside Standing Seam Sheets with Eaves Lips.



3 Apply butyl tape or silicone sealant behind the Eaves Flashing before securing into place. Use Annular Ring Nails every 200mm along each length, fixing along the top edge of the flat section.

4 Measure and cut Verge Backer Plates to cover the left and right-hand sides of the roof. For apex roofs, cut the Verge Backer Plates at an angle so that they meet flush at the ridge of your roof.



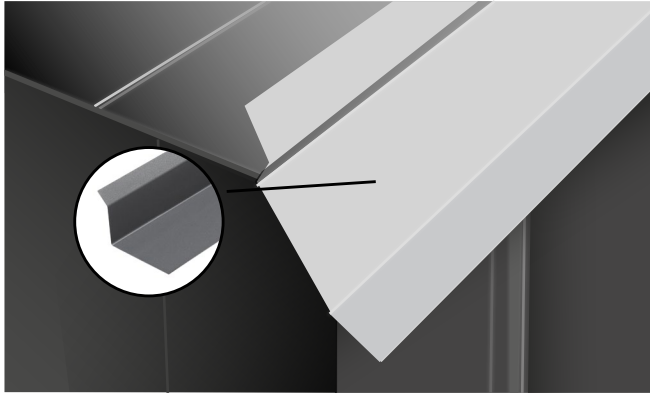
5 Starting from the bottom, fix through the Flashings to secure the Verge Backer Plate into place. Use Ring Nails every 200mm, working towards the apex.

AVOID DAMAGE

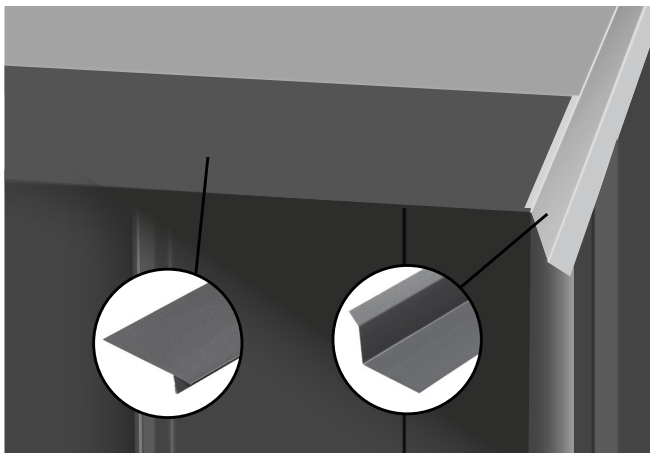
Remember to remove any swarf with a brush to prevent damage to the Sheet.



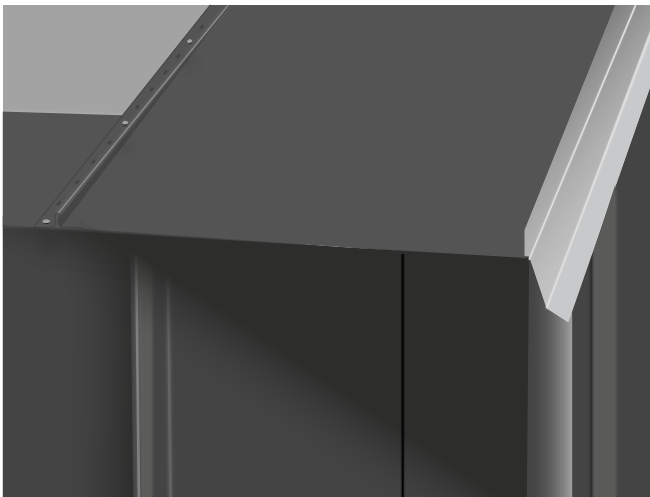
ROOFING INSTALLATION



6 Working from right to left, measure the width of the first Standing Seam Sheet and include 25mm for the verge upstand. The maximum width of the first sheet will be 445mm after cutting off the seam.



7 On the first Sheet, fold a 25mm upstand along the top and outer edges of the Sheet using hemming tools. The upstands will provide support for the Ridge and Verge Flashings and help to prevent water intrusion.



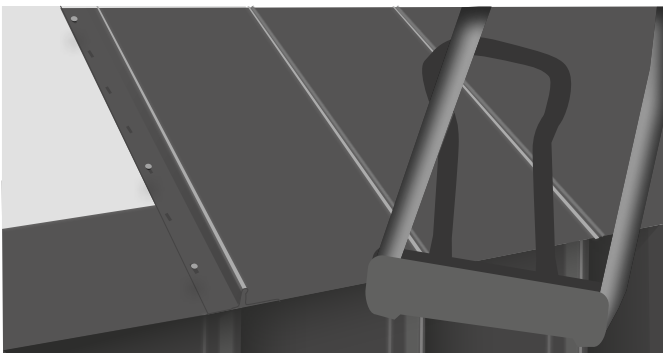
8 For all following Sheets, fold up each upstand along the top of the Standing Seam Sheets using hemming tools. This will provide support for the Ridge Flashing and prevent water ingress.

9 Position the first Sheet with the upstand flush to the Verge Backer Plate and tap the Sheet up against the Eaves Flashings using a rubber mallet. Secure the Sheet in place using Ring Nails every 3-4 fixing holes.

PRECISION CUTS



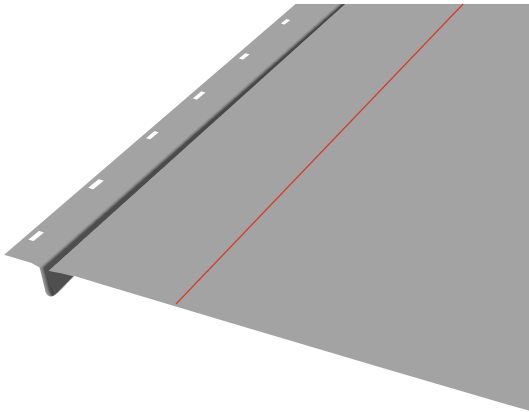
Use Tin Snips to carefully cut away the folded edge of the Standing Seam Sheet when creating an upstand.



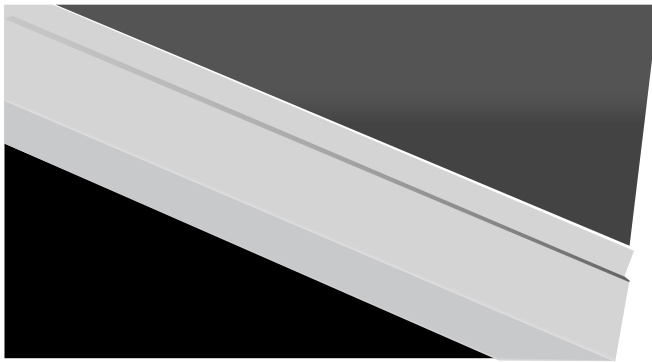
10 Use an Eaves Closer tool to fold the base of the Standing Seam Sheet onto the Eaves Flashing. Care should be taken when using folding tools on Sheets with ribs, as ribs can become flattened.

11 Continue connecting and fixing Sheets along the roof using the rubber mallet to join the seams together. Use the mallet to tap the Sheet at the bottom to tighten along the Eaves Flashing. Fix the Sheet in place using Ring Nails every 3-4 holes.

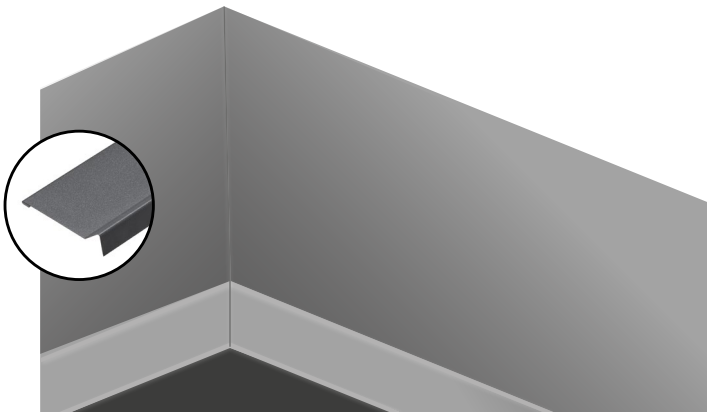
ROOFING INSTALLATION



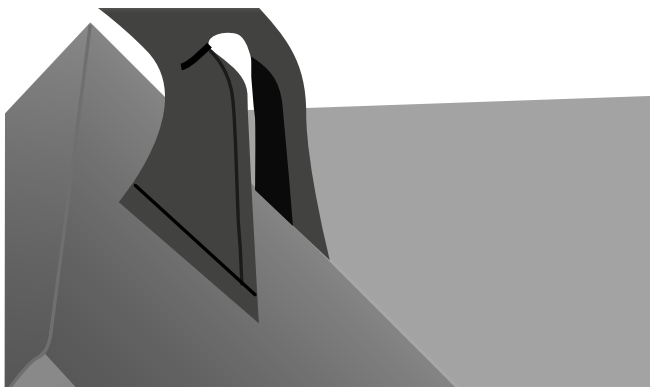
12 Repeat the previous step until you reach the final Sheet. Measure the width of the final Sheet and add 25mm for the Verge upstand. Cut off the fixing holes and fold the 25mm upstand along the left-hand side and top edge using hemming tools. The max width of this Sheet will be 470mm.



13 Tap the final Sheet at the base to nudge it into position over the Eaves Flashing and tap over the seam to secure it in place. Ensure Sheets are fully clipped together. The left-hand edge should align with the Verge Backer Plate.

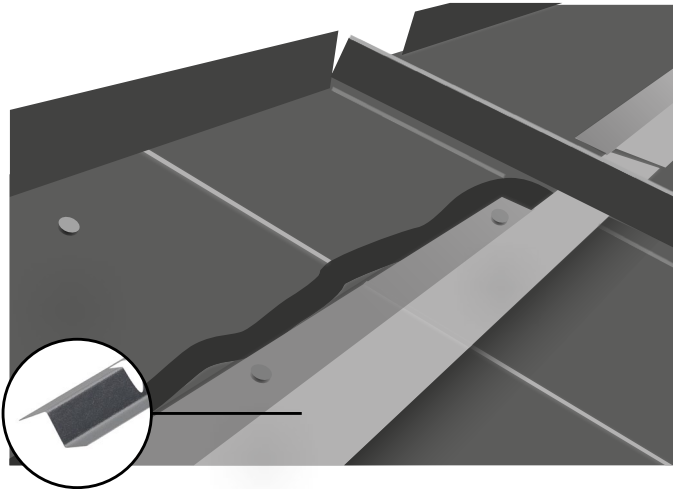


14 Measure and cut the Verge Flashing to length and install over the 25mm upstand and Backer Plate. For apex roofs, cut at an angle to sit flush with the adjoining Verge Flashing at the apex.



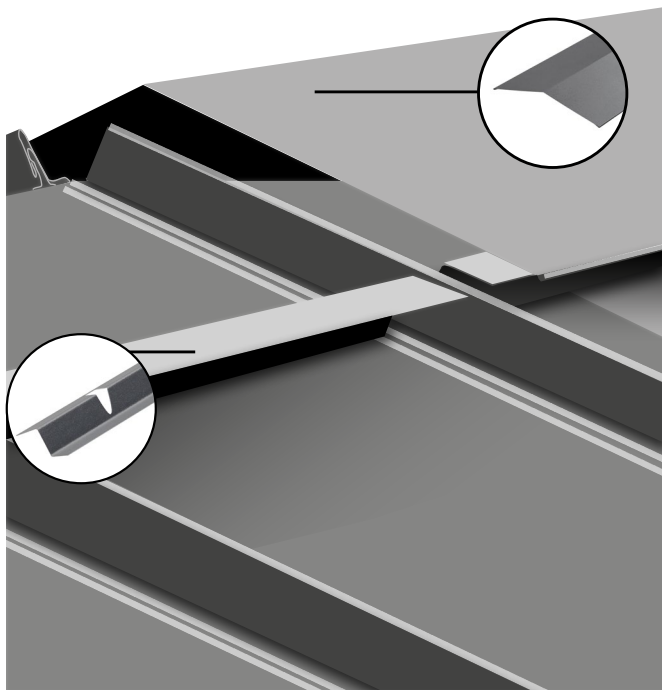
15 Using seaming pliers, clamp the bottom and top edges of the Verge Flashing around the Verge Backer Plate and upstand to create a tight seal. Finish each side of the roof with a Verge Flashing piece.

ROOFING INSTALLATION

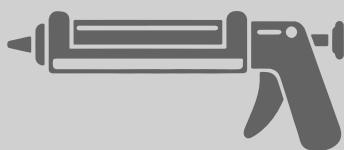
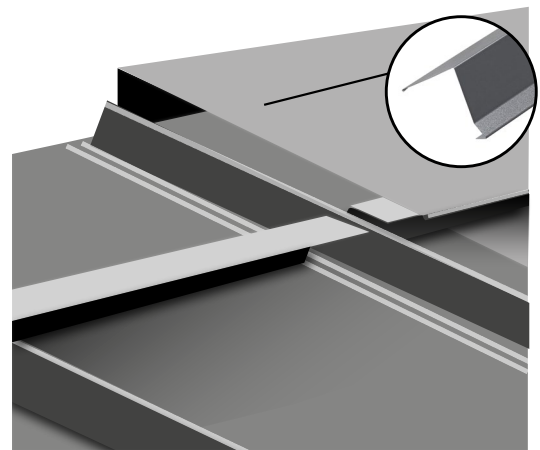


16 To install the Ridge Flashing, align the Z Bars (Notched) along the top of your roof. To help do this, temporarily place a Ridge Flashing or Mono Ridge piece over the apex and mark the position of the Z Bars. Use a string line and chalk mark to place Z Bars.

17 Attach Z Bars (Notched) using Ring Nails and apply two beads of sealant to fix the Z Bars in place. Apply sealant around the Z Bars to seal any gaps and to prevent water ingress.



18 Slide the Ridge Flashing over the Z Bars on both sides to fit into place. Secure the Flashing by clamping the edges using hand seaming pliers to fix the Flashing into place. For Mono Ridge Flashings, pull the Flashing over the Backer Plates and Z Bars and clamp into place.



DECORATIVE RIDGE PIECE

For dual-pitched roofs, a decorative ridge end cap can be cut from a flat offcut, for example, a diamond shape. End cap pieces should extend over the edges of the Verge Flashings and sealed using silicone sealant such as CTI. For mono roofs, end caps will not be required, simply seal with CTI.



AFTERCARE



AFTERCARE

Maintenance for Standing Seam Roofing is minimal and should include regular inspections for debris, sealant integrity, and any signs of damage or corrosion.

Keeping the roof clean and clear of leaves and other debris will help maintain its appearance and function throughout the seasons.

GreenCoat® Pural BT coating is a durable and weather-resistant coat. If marks appear for any reason, or the Sheets become scratched, we recommend using a metallic touch up paint colour matched to the Sheet to protect against rust damage.

FREQUENTLY ASKED QUESTIONS

How are Standing Seam Sheets installed?

Standing Seam Roofing and Cladding are installed by fastening the metal Sheets to the roof using Annular Ring Nails which are concealed fasteners. Sheets are then locked together at the seams using a snap-lock system, with Flashings sealing the eaves and ridges. We recommend following our Standing Seam Installation Guide for more information and to consult a professional roofing installer where required.

Is Standing Seam Roofing suitable for all types of roofs?

Standing Seam Roofing is most effective on roofs with a pitch greater than six degrees. It's versatile and can be used on various roof styles, but it may not be the best option for extremely low-slope or flat roofs without proper waterproofing systems.

What are the advantages of Standing Seam Metal Roofing?

There are many advantages when it comes to choosing Standing Seam for your projects. Cladco Standing Seam Roof Sheets are a versatile product that can be utilised as cladding or roofing, in domestic and commercial applications.

The contemporary aesthetic appeal of our Standing Seam Roofing means it is often featured in architectural projects such as home extensions and barn conversions.

The GreenCoat® Pural BT coating makes Standing Seam a sustainable and environmentally-conscious product. Pural BT coating is produced with Swedish rapeseed oil, which is a renewable resource and provides scratch, corrosion, UV and weather resistance.

What is the life expectancy of a Standing Seam Metal Roof?

The life expectancy of our Standing Seam Sheets, when used for Roofing or Cladding, is up to 50 years. The durable Pural BT finish resists damage from harsh weather conditions which allows for a long, low maintenance life.

Is Standing Seam Metal Roof worth the money?

If you are looking for a high-quality, sleek and resistant Roofing or Cladding material that will stand the test of time, Standing Seam Sheets are the perfect choice. When installed, Standing Seam creates a modern exterior for your project, which is the main reason people are drawn to it.

Are Standing Seam Roof Sheets noisy when it rains?

Properly installed Standing Seam Sheets are not significantly noisier than other roofing types due to OSB and breathable membrane underlayment. The noise can be minimised with additional insulation and underlayment, where necessary.

What are the costs associated with Standing Seam Roofing?

Standing Seam Roofing is generally more expensive than other roofing types like asphalt shingles or corrugated metal. The cost can vary depending on the material, roof size, complexity, and location. However, its longevity and low maintenance can offset the initial investment over time.

What colours are available with Standing Seam Roofing and Cladding Sheets?

Cladco Standing Seam Sheets are available in a range of four colours - Tile Red, Silver Fir Green, Slate Grey and Nordic Night Black - to suit the environment and colour scheme.





Head Office

Beardown Road
Exeter Road Industrial Estate
Okehampton
Devon
EX20 1UA

01837 659901

info@cladco.co.uk

www.cladco.co.uk

CLADCO
PROFILES