

# FLATROOFVENT

Non-insulated construction ventilation terminals



## Features & benefits

- Made of high-quality PP/Aluminium
- Applicable for all weather conditions
- High ventilation capacity
- No rain ingress
- Elegant design
- For new build and renovation purposes

## Technical specifications

### Product description

Flat Roof Void Vent

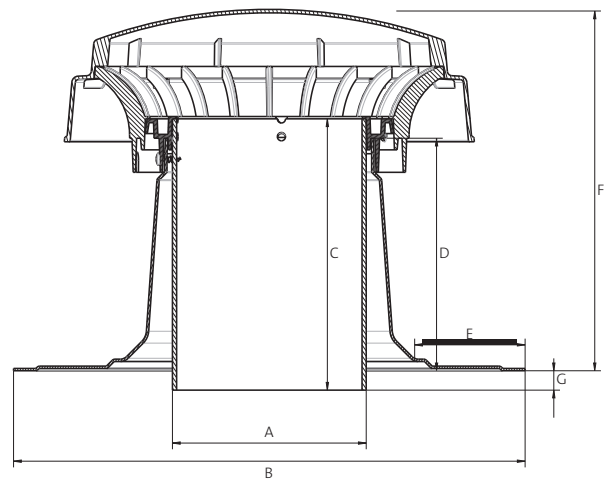


### Technical details

Diameter	110, 160mm
<b>Materials</b>	
Cap	Polypropylene
Flange	Aluminum
<b>Other</b>	
Available colors	Black
BIM file	On demand Autodesk™ Revit®

## Material

The Ubbink FlatRoofVent is made of high-quality polypropylene (PP). This material is lightweight and not sensitive to damage or cracking. The lifetime of high-quality PP is longer compared to aluminum and does not expand or crimp.



## Dimensions (sizes in mm)

Diameter/ type	A	B	C	D	E	F	G
110	110	330	175	150	79	216	13
125	125	330	175	150	71,2	233	12,5
160	160	393	175	150	85,5	233	12,5

