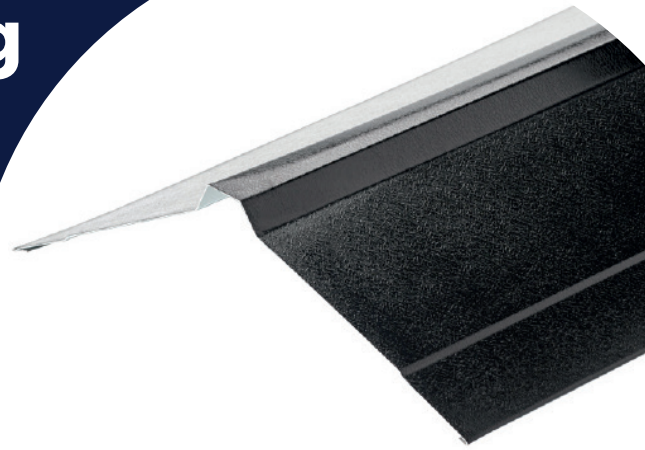


Nordic Ridge Flashing PVC Plastisol 3m



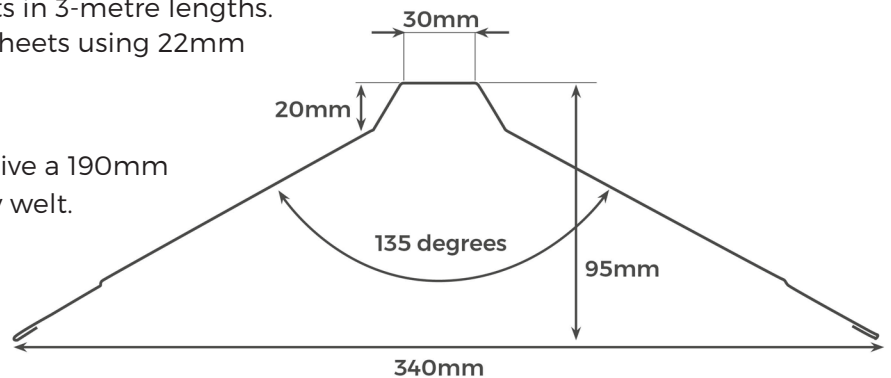
Cladco Nordic Ridge Flashings will add a stylish finish to any building while protecting it from water intrusion. This style of flashing features a minimalist profile which will complement the style of our Box Profile, Tile Form and Corrugated Sheets.

Nordic Ridge Flashings are designed to be used at the apex of your roof to join and seal two sides. Cladco PVC Plastisol Nordic Ridge Flashings are made in lengths of 3m and are available in 11 colours to match PVC Plastisol Coated Sheets.

Each Nordic Ridge has an internal angle of 135 degrees. Flashings include a 5mm safety welt on both sides to increase the strength and finish of the material. Coverage per wing is approximately 190mm.

Custom angles can be specified using our Custom-Made Flashings service. When installing these Flashings, allow a minimum overlap of 200mm from one Flashing piece to the next. We manufacture a variety of Flashing to customers' requirements in 3-metre lengths. Flashings can be fixed to the roofing sheets using 22mm Stitcher Screws.

Please note: Nordic Ridge Flashings give a 190mm x 190mm coverage due to 5mm safety welt.



SPECIFICATIONS	
Length	3 metres
Sizes available	195mm x 195mm
Angle	135° internal angle
Overlap	Allow 200mm
Colours available	Anthracite, Black, Vandyke Brown, Chestnut, Goosewing Grey, Juniper Green, Merlin Grey, Moorland Green, Olive Green, White & Slate Blue.

PLEASE NOTE – Extra care should always be taken when handling metal sheets and flashings we advise using the correct type of Glove when handling or moving metal sheets and flashings.

