

LANTERN
INSTALLATION MANUAL

ATLAS
MORE SKY LESS ROOF™

RINGBEAM ASSEMBLY



1

Check that the kerb is square by measuring equal distances from corner to corner, (see Figure 1).



2

Remove the ringbeam flaps from the ringbeam.



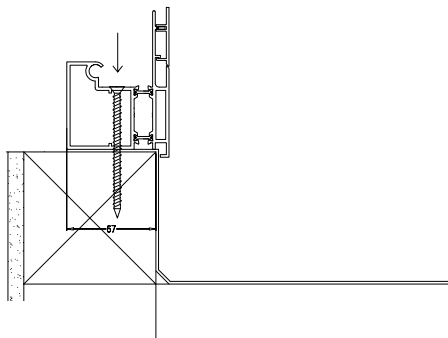
3

Lift the ringbeam onto the top of the kerbs. Make sure the ringbeam is sealed to the kerb base.



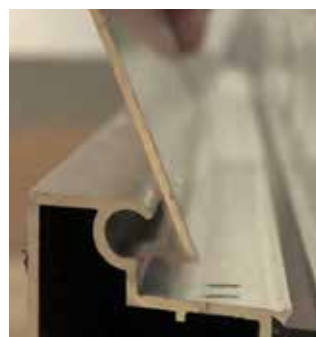
4

Slide the ringbeam bracket into the channel on the adjoining ringbeam and push together. Fix the ringbeam screws into predrilled holes.



5

Prior to inserting ringbeam flaps, fix ringbeam into kerb at approx 500mm centres.



6

Lift the ringbeam flaps into place. Make sure the ringbeam flap engages into the correct position.



A-FRAME PREPARATION & ASSEMBLY



1

On a hidden tiebar push the steel bracket into the side of the central rafters.



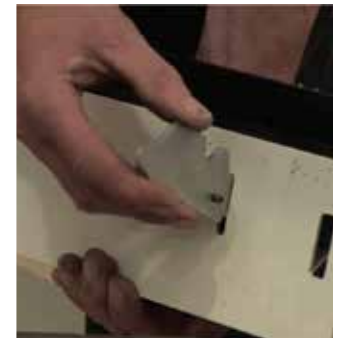
2

Loosen the pre-fixed top screw to allow the top bracket to move freely.



3

Engage the rafter bracket into the slot provided on the ridge.



4

Screw down the top screw to secure the rafter bracket. Place the rafter bracket into the slot on the ridge opposite.



5

Slide the adjacent rafter over the steel angled bracket.



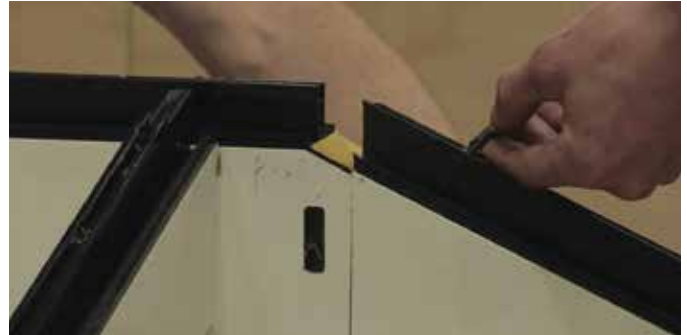
6

Locate into position with the top rafter bracket and tighten the screw.

RAFTER ASSEMBLY



1 Slide the bell rafter over the pre-fixed ridge bracket.



2 Tighten pre-fixed screw to secure the bell rafter.



3 Fix the gusset cover over the hidden tie bar. Secure with screw.



4 Fix the gusset with screws provided and cover with screw caps.



5 Where there is no hidden tie bar position the bracket into the slot on the ridge and fix rafter with screw.



6 Loosen off the top hip bracket screw and position into the slot provided. (See page 6 & 7 for contemporary lantern hip installation)



7

Fix the next hip and secure screw at top. (See page 6 & 7 for contemporary lantern hip installation)



8

Jack rafters are located into a slot with a bracket and top screw.



9

Rotate the ringbeam flaps keeping them tight against the hip rafter cut.



10

Fix each side of the hip glazing seat into the ringbeam flaps.



11

Before fixing the central and jack rafters at the bottom, temporary fit foam boards against flap to correctly space rafter positions.



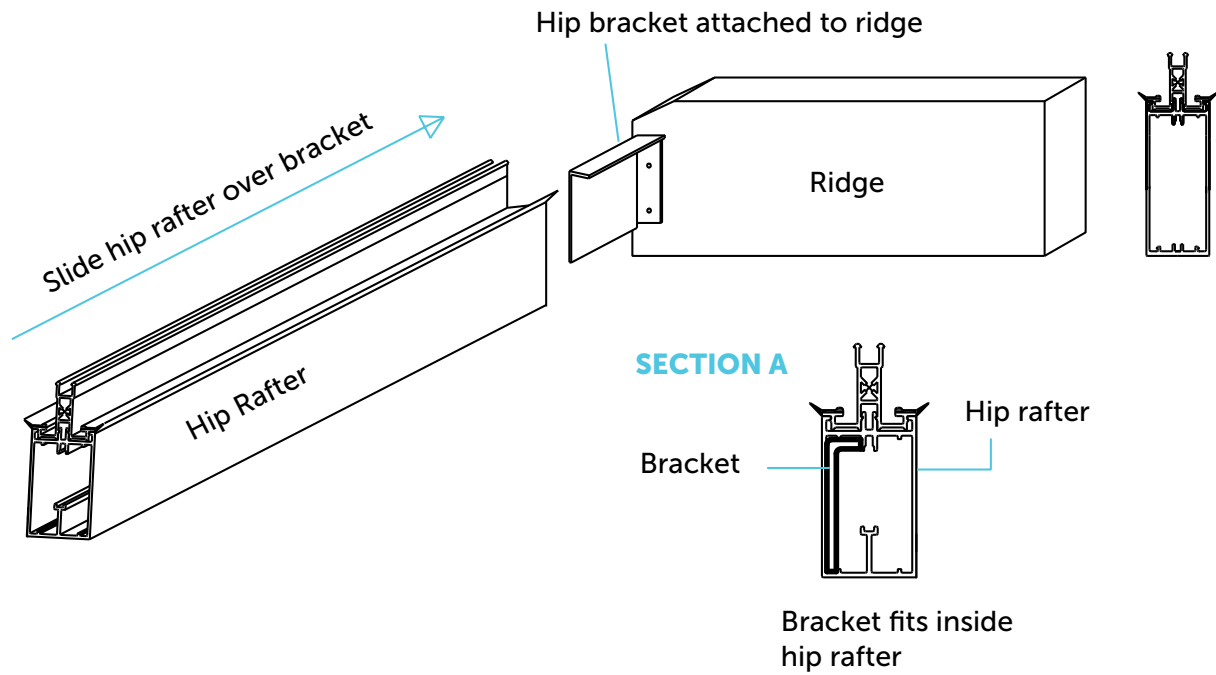
12

Once the rafters are in position pull the ringbeam flap up tight to the rafter and fix centrally with a screw.

HIP FIXING DETAIL ON CONTEMPORARY LANTERN

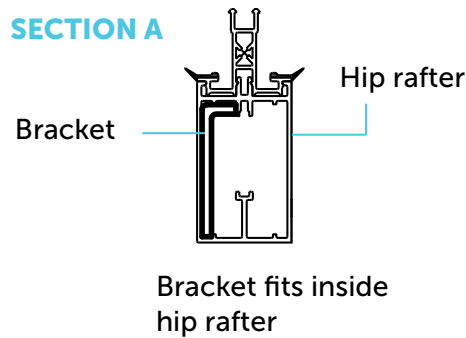
1

Slide the hip rafters over the pre-fixed brackets on the ridge body.



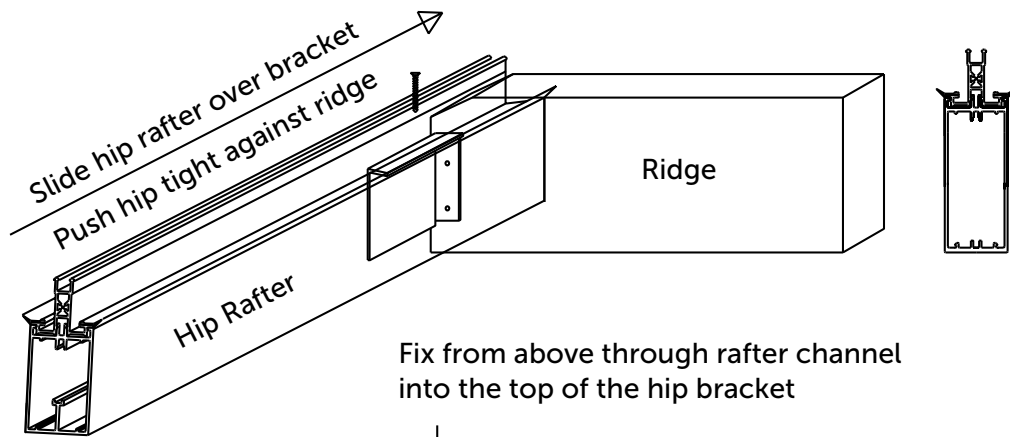
2

Note the position of the bracket inside the hip on section A.

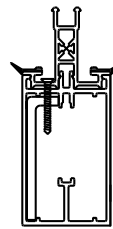
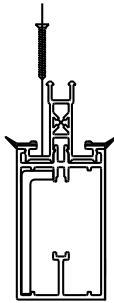


3

Push the hip tight against the side of the ridge and fix a screw through the top of the rafter approx 25mm down. This screw will catch the top of the internal hip bracket and secure the hip into its position. See section B and C.

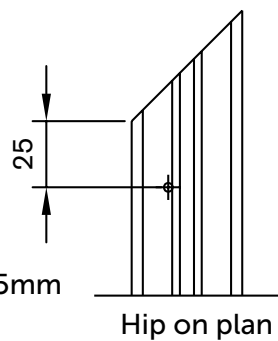


SECTION B



Tighten screw so screw head is below the gasket line

SECTION C



Screw is approx 25mm from end of rafter

(Revert to page 5 instruction 9 for information on fixing the bottom of hip rafters to the ringbeam)

TRIMMING INSIDE



1 Once rafters are fixed, remove the foam boards and locate the glazing shelf.



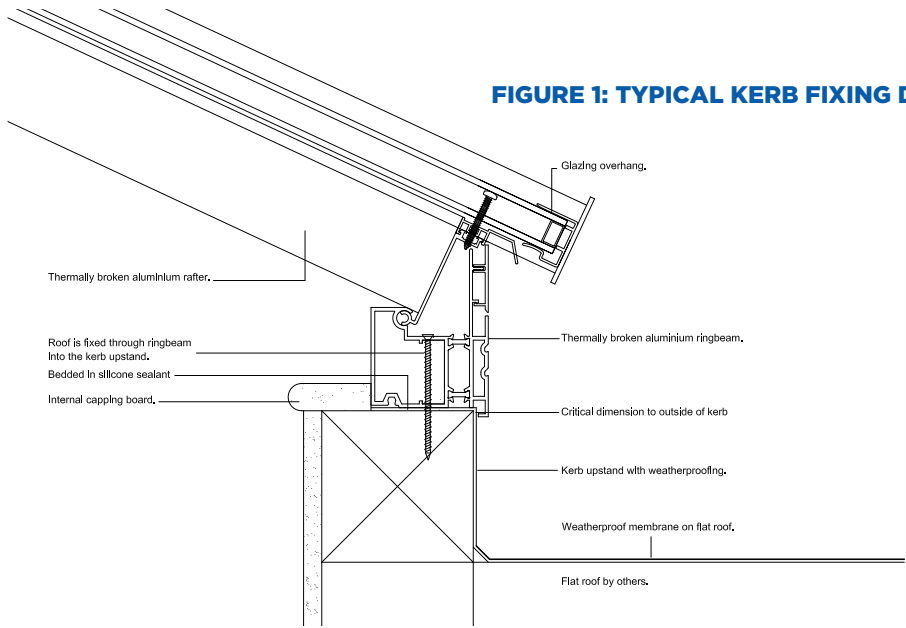
2 Knock down tight with a rubber hammer.



3 Silicone the foam board securely into place.



4 Where there is no bell rafter, glue internal ridge end caps onto each end of the ridge.



GLAZING

**1**

Run a bead of sealant along the top leg of the glazing end closer. Always use the correct sealant. (MS Polymer on self-cleaning glass).

**2**

Slide glazing end closer over the bottom of the glazing.

**3**

Remove cover tape from double sided tape on the glazing shelf.

**4**

Lift glass into place behind the rafter end stops and press down glazing.

**5**

Fit all units of glass keeping glazing end closer between rafters.

ROOF VENT OUTER FRAME



1

When fitting roof vents always remove foiled or plastic tape from surface of units before sealing.



2

Remember to clear both sides and always use the correct sealant. Remember to remove tape from both sides.



3

Remove cover tape from glazing shelf.



4

Fix glazing end cover and locate glazing behind rafter end stops.



5

Muntin bars may have female and male connectors or may be an H section



6

Seal internally both sides of the muntin bar generously, close to the internal edges. Always use the correct sealant.(MS polymer on self cleaning glass)



7

Place the muntin bar over the glass unit and press down.



8

Locate the roof vent into the muntin bar and between the rafters. Seal along edge of muntin bar and roofvent when located.



9

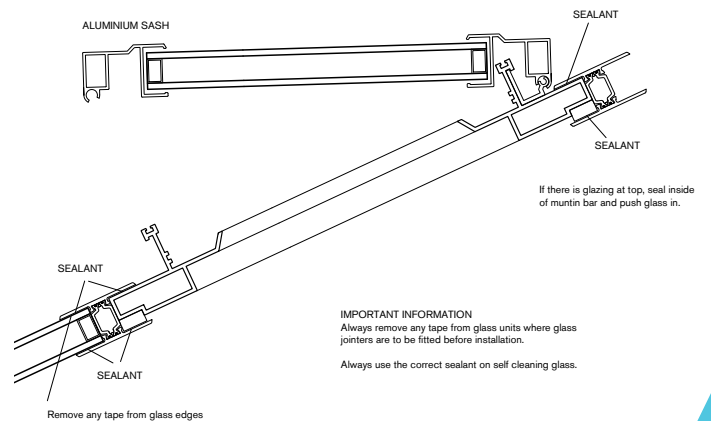
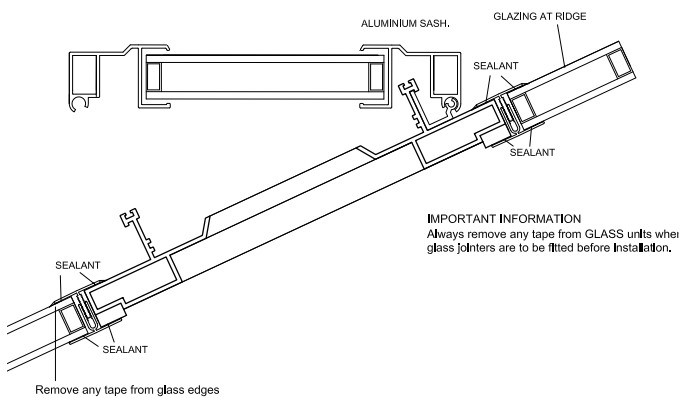
Seal internally both sides of the muntin bar generously, close to the internal edges.



10

Continue the same process on the top muntin bar.

ROOF VENT INSTALLATION DETAILS



PRESSURE PLATE & COVER CAP



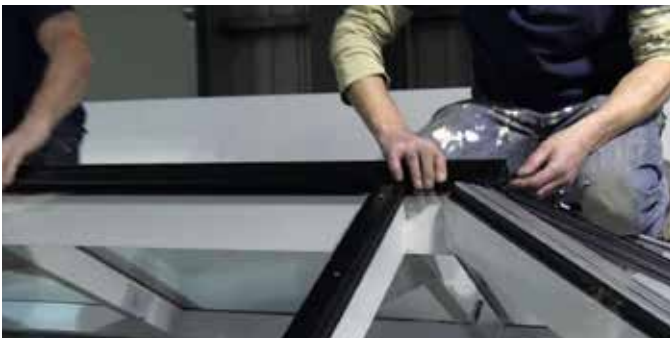
1

Locate the hip pressure plate centrally over the hip rafter and fix down with screws. Always tighten down the pressure plate screw through the bottom hole (approx 75mm from the end) to compress the glass against the ringbeam sealing tape



2

Position the central pressure plate over rafters. Screw the pressure plates through the pre-drilled holes provided.



3

Centralise the ridge pressure plate between the rafter pressure plates.



4

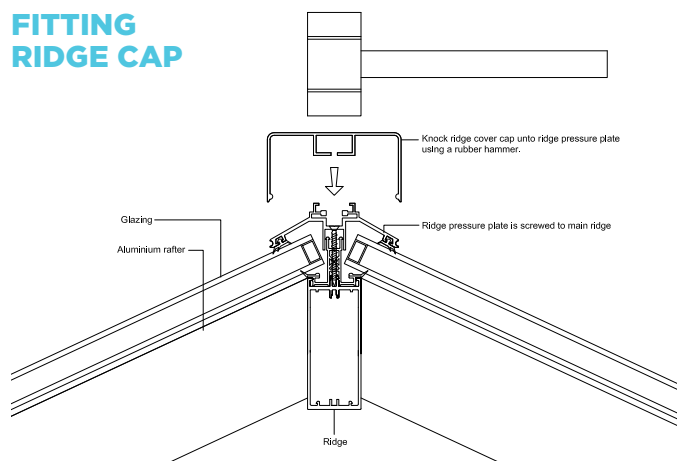
Fix the ridge pressure plate centrally to the main ridge body with screws.



5

After ridge cap is installed locate the cover caps over pressure plates and fix securely with a rubber hammer.

FITTING RIDGE CAP



ROOF VENT SASH GLAZING



1 Loosen grub screw on sash corners with an allen key prior to glazing roof vent.



2 Remove one side of the roof vent sash.



3 Remove cover from double sided tape.



4 Slide glazing into roof vent sash and press down.



5 Locate the side of roof vent sash by slotting the corner cleats into the adjoining internal chambers.



6 Secure the side into place by tightening the grub screw at the corners.

ROOF VENT SASH GLAZING



7 Take the wedge gasket and starting at the corner push it in between the glazing and aluminium vent.



8 Snip the wedge gasket internally at the corners.



9 When fitting the roof vent sash position the sash into place with the integrated hinge channel.



10 The hinge channel fits over the outer frame hinge.



11 The channel locates at approx 70 degrees in the opening position.



12 Locate the spindle and tighten bolts to secure.

LANTERN
INSTALLATION MANUAL

ATLAS
MORE SKY LESS ROOF™

www.atlasroofsolutions.co.uk

sales@atlasroofsolutions.co.uk

02838 327741

PART OF THE CUSTOMADE GROUP