



CLADCO ALUMINIUM DECKING, JOISTS AND TRIMS

Installation Guide,
Aftercare and FAQs

CLADCO
DECKING®



CONTENTS

Storage, Handling, Colour and Health & Safety	3
Tools and Equipment	4
Prepare your Base	5
Aluminium Framework	6
Laying the Decking Boards	7
Finishing your Decking	8
Aftercare and Maintenance	9
FAQs	10



STORAGE AND HANDLING

Cladco Decking Boards should always be stored in a cool, shaded spot on a flat and level surface which supports the whole length of the Boards. It is recommended to store the Boards on a pallet to ensure they are not sat directly on wet or cold ground.

Wear cut level 5 protective gloves when handling the Boards and take care when lifting them. We recommend a minimum of two physically capable persons carry the Boards. Always ensure any persons assisting with installation or handling is physically capable.



COLOUR

Cladco Aluminium Decking Boards are manufactured with a powder coating that gives a long-lasting finish to the product. Cladco Aluminium Decking Boards and Trims are available in five colours, including a plain, anodised aluminium finish. As with all materials exposed to direct sunlight, some natural weathering may occur over time.



HEALTH & SAFETY

Installing Aluminium Decking Boards at height, for example onto a balcony, should be undertaken by experienced professionals. Necessary safety precautions should be considered when installing at height, such as having a suitable safety balustrade, or boundary, in place before installing the Boards to prevent people from falling.

Please note: the information in this Installation Guide is a guide only. Always consult a trained professional, where possible, and take due care and attention when installing Aluminium Decking products.

TOOLS AND EQUIPMENT



Protective Equipment

When handling or carrying Decking Boards, it is advised to wear long sleeves and cut level 5 protective gloves. While cutting the Boards, we suggest wearing a protective dust mask, ear defenders and safety glasses. Knee pads are recommended to be worn when fitting the Decking.



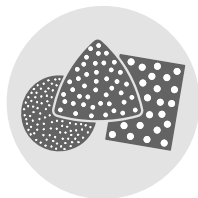
Tool Set

Standard everyday tools will be needed to complete the installation, including a tape measure, spacing tools and a marker pen. For individual tasks, more specific tools may be required.



Power Drill Or Driver

Power drills, or drivers, can be used when installing Aluminium Decking, Joists and Trims. A standard Phillips PH2 screwdriver bit can be used when working with stainless steel screws.



Sandpaper

Sandpaper can be used to remove burrs on cut ends of the Aluminium Decking Boards, Joists and Trims. Sharp edges can be sanded, or filed, to remove dangerous corners.



Once cut, Aluminium Decking is extremely sharp due to the nature of the material. Always wear protective clothing and avoid contact with sharp edges.



Circular Saw Or Mitre Saw

When working with Aluminium Decking Boards, ensure to use a suitable blade for cutting aluminium. We advise to use a Mitre Saw to create accurate cuts through the Boards.



Spirit Level And String

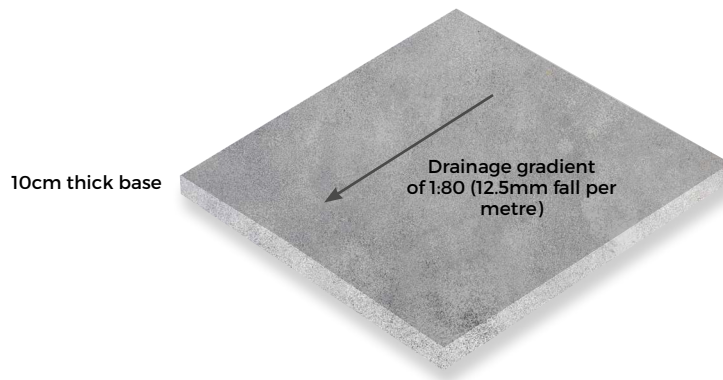
A spirit level is essential when installing Decking Boards to ensure a level support system. String ensures the Decking Boards are installed along a straight edge, with a slight slope to allow for water run-off.

PREPARE YOUR BASE

CHOOSE FROM TWO BASES

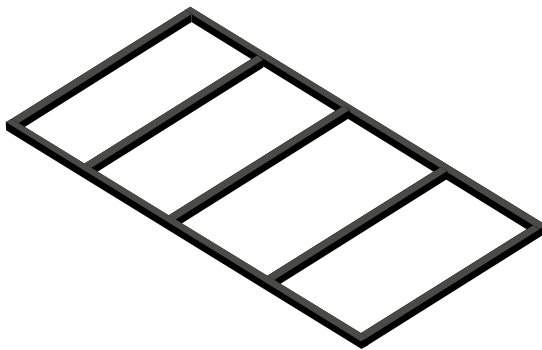
CONCRETE BASE

A stable 10cm thick base is recommended with a drainage gradient of 1:80 (12.5mm fall per metre), if installing Aluminium Joists over concrete. This enables sufficient water run-off underneath the Decking area and reduces the risk of standing water. Ensure to slope down away from any buildings or structures.



METAL BASE

If installing Aluminium Joists over an existing metal framework, we recommend using a protective membrane, or a corrosion-inhibiting material, between the two different metal types to reduce the risk of cross-contamination and corrosion.



TOP TIP

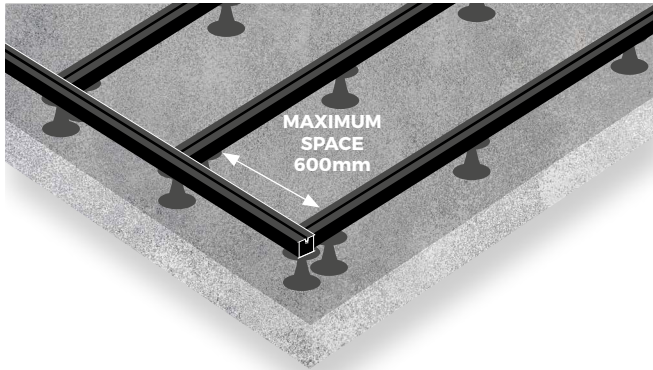
For any existing base, we advise checking with building regulations and contractors whether the supporting substructure is suitable before purchasing Aluminium Decking.

AIRFLOW

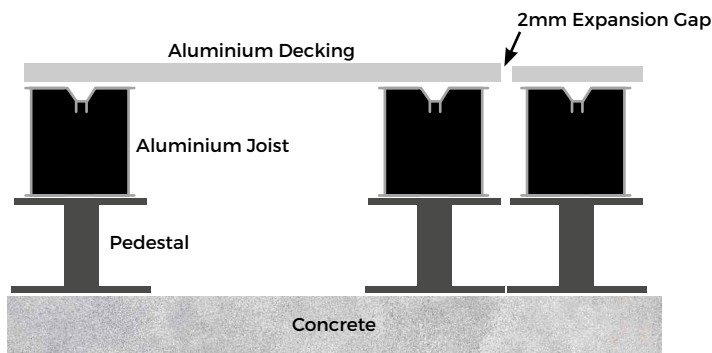
Ensure your Aluminium Decking area allows for plenty of cross ventilation and airflow by including adequate spacing around the area and between walls and other solid structures.



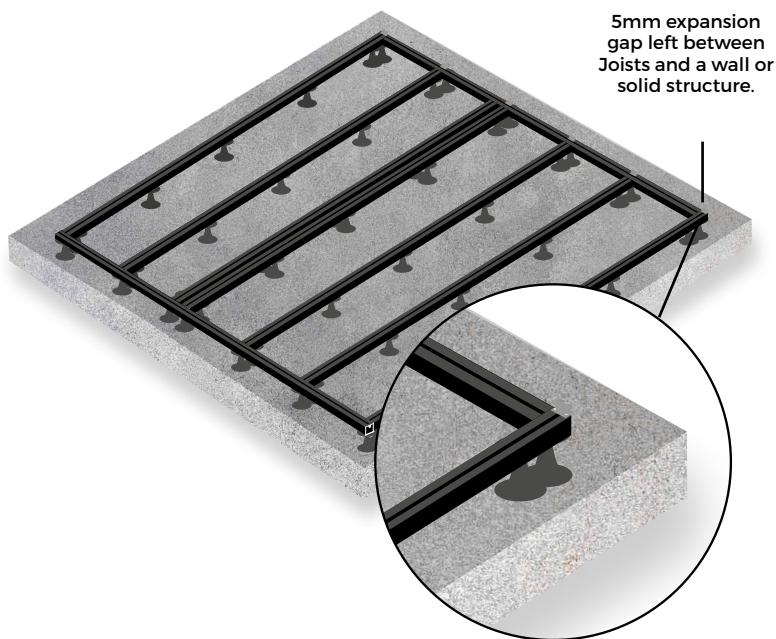
ALUMINIUM FRAMEWORK



1 Aluminium Joists should be supported by decking pedestals (not supplied) to create a ventilation gap and a slope for drainage. Begin your installation by marking out pedestal positions across the concrete base, placed at a maximum of 600mm apart from centre to centre. Ensure a pedestal is positioned where two Joists meet end-to-end.



2 Where two Boards will meet end-to-end, a row of two Joists will need to be in place to support the Boards. Adjust the height of each pedestal to allow for a drainage gradient (12.5mm fall per metre) and secure them into place on the concrete base.



3 Once all pedestals are secured into the concrete, fix Aluminium Joists onto the pedestals. Where two Joists meet end-to-end, a **2mm expansion gap** should be left between ends and supported over a pedestal. A **5mm expansion gap** should be left between a wall, or a solid structure, and the Joist.

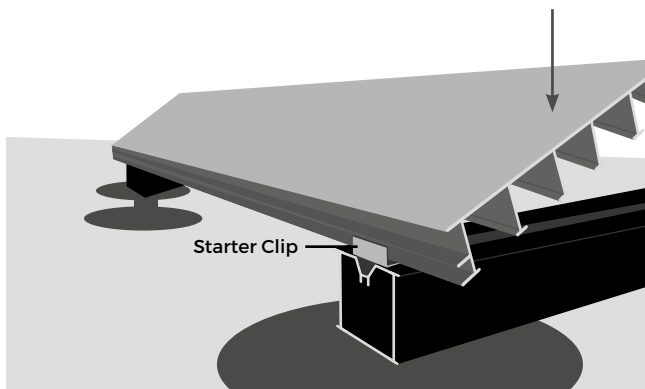
4 Fix Starter Clips into the central channel along the ends of each Joist, where the first Board will be installed. This will create an accurate starting point for the first Aluminium Decking Board, leaving a **5mm expansion gap** between walls or solid structures.

LAYING THE DECKING BOARDS

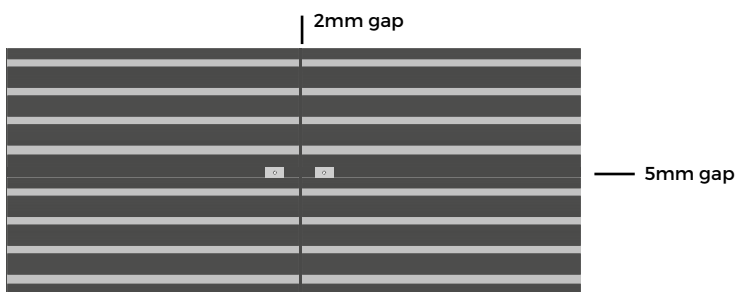


CUTTING

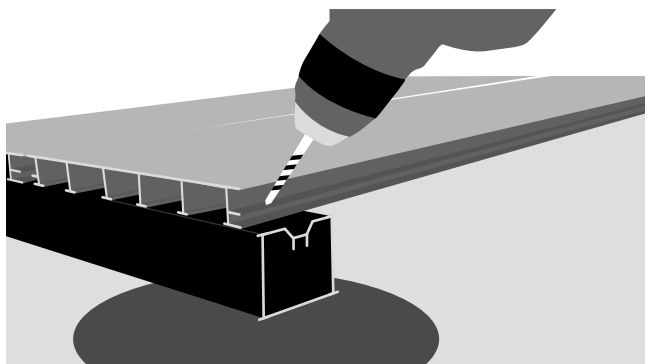
If cutting your Aluminium Boards to size, we recommend using a circular saw, or mitre saw, with a suitable blade for cutting through aluminium. Sandpaper can be used to remove burrs on cut ends.



5 Install the first Decking Board to the Starter Clips, laying the Aluminium Boards perpendicular to the Joists. Where two Boards meet end-to-end, allow for a **2mm expansion gap** and support over a pedestal. If including an overhang, this should be no more than 30mm.



6 Fix Stainless Steel Clips to the first Board and secure the Clips into place over each Joist underneath using 30mm Screws. We recommend 7 Clips per 3.6-metre Board. Once all Clips are secure, place the next Board into the Clips, leaving a **5mm expansion gap** between Board edges.



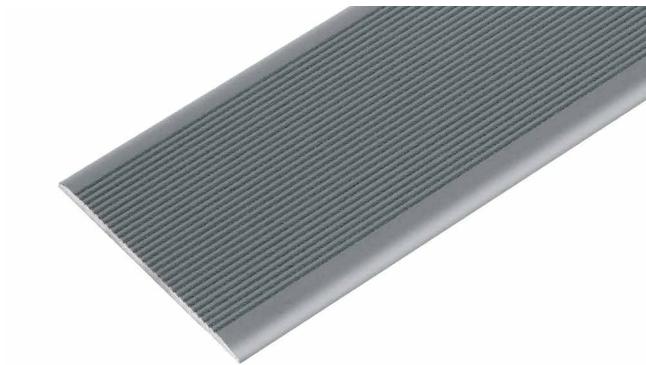
7 Continue installing Boards into the Stainless Steel Clips, leaving a **5mm expansion gap** between parallel Boards. To secure the last Board, screw through the side of the Board and into the Joist. It is recommended to pre-drill through the Decking Board 1-2mm wider than the Screw.

FINISHING YOUR DECKING



HOW TO INSTALL ALUMINIUM CORNER TRIMS

Finishing off your Aluminium Decking space can be done with our Aluminium Corner Trims. Available in matching colours to suit your Aluminium Decking Boards, use these Trims to hide exposed edges and create a professional edge. Trims can be measured and cut using a suitable circular saw, or mitre saw, with a suitable blade for cutting aluminium. Trims can be fixed to Aluminium Decking using suitable length screws.



HOW TO INSTALL ALUMINIUM SKIRTING TRIMS

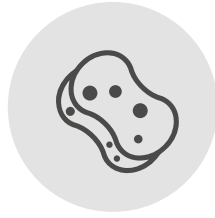
Finish off your Aluminium Decking with Cladco Aluminium Skirting Trims around the exposed edges of the Decking space. Attach the Trim to the Decking Board using suitable length screws. Cladco Aluminium Skirting Trims are available in matching colours to go alongside Aluminium Decking Boards and Corner Trims.



TOP TIP

We advise leaving a 2mm gap where two Trims meet end-to-end to allow adequate space for expansion and contraction.

AFTERCARE AND MAINTENANCE



CLEANING YOUR BOARDS

We recommend inspecting and cleaning your Aluminium Decking throughout the year at regular intervals. For commercial environments, it is advised to check and clean every three months and every six months for domestic installations. Use warm soapy water and a lint free cloth to clean the surface of the Decking and then non-soapy water to wash off excess soap.

Please note: pressure washing, abrasives, bleaches, solvents or cream cleaners are not advised cleaning products to use on Aluminium Decking.



MAINTAINING YOUR ALUMINIUM DECK

To keep your Aluminium Decking area looking at its best, and to improve the safety aspect, we recommend regularly clearing away any debris or standing water from the surface of the Decking.

For standard everyday debris such as plants, leaves, animal droppings and grime, simply brush your deck free with a brush or stiff-bristled broom.

We recommend using cleaning products that do not contain chlorinated solvents, ketones or esters, which could damage the powder-coated surface of the Aluminium Decking Boards.

FREQUENTLY ASKED QUESTIONS

Where can I install my Decking?

Cladco Aluminium Decking is very practical for any outdoor space (subject to building control and a structural framework).

We advise installing Cladco Aluminium Decking over concrete using decking pedestals (not supplied), provided that a suitable frame has been created using Aluminium Joists.

Can Aluminium Decking come in contact with different metals?

Corrosion can occur where two different metal types come into contact with each other. When using steel fixings and steel screws to secure Cladco Aluminium Decking Boards and Trims, the affects are minimal. Please note, however, when installing Aluminium Joists over an existing metal frame, it is advisable to use a corrosion-inhibiting compound, or anti-corrosive covering, over the top of the metal frame for protection due to a larger surface area being in contact with Aluminium products.

Can I use a pressure washer?

Due to the powder-coated surface of Aluminium Decking Boards, we do not advise to use a pressure washer to clean the product.

How do I restore damaged Aluminium Decking?

To restore large areas of Aluminium Decking, we advise to sand down the area first and use a zinc primer followed by a top coat in an acrylic-based spray paint.

Will my Decking get hot in the sun?

As with all metal products exposed to the sun, they can become hot over prolonged exposure to heat. However, unlike other materials, such as timber, composite, or steel, aluminium cools quicker and more efficiently, dissipating heat better. This means Cladco Aluminium Decking Boards will be much cooler in the heat of the summer and more comfortable underfoot.

Can I use a fire or patio heater on my deck?

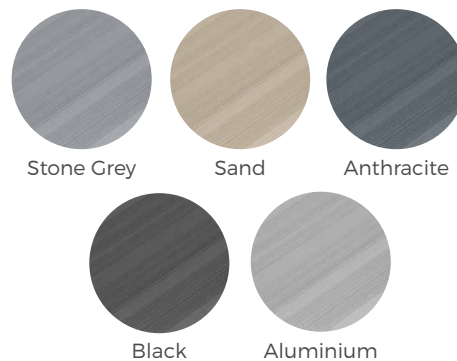
Yes, Aluminium Decking is fire-rated (A2-S1 classification) meaning it's a non-combustible product. When using around a fire pit, patio heater or other heat source, please note that Aluminium may expand and contract.

How much does Aluminium Decking weigh?

A single 3.6m Aluminium Decking Board weighs approximately 7.98kg.

What colours are available?

Aluminium Decking Boards are available in a range of five colours, which includes a plain aluminium finish alongside Stone Grey, Sand, Anthracite and Black.



Can I order a Sample?

Aluminium Decking Samples are available upon request. Please speak to a member of our Sales Team on 01837 659901 to find out more, or email info@cladco.co.uk.



Head Office

Beardown Road
Exeter Road Industrial Estate
Okehampton
Devon
EX20 1UA

01837 659901

info@cladco.co.uk

www.cladcodecking.co.uk

CLADCO
DECKING®