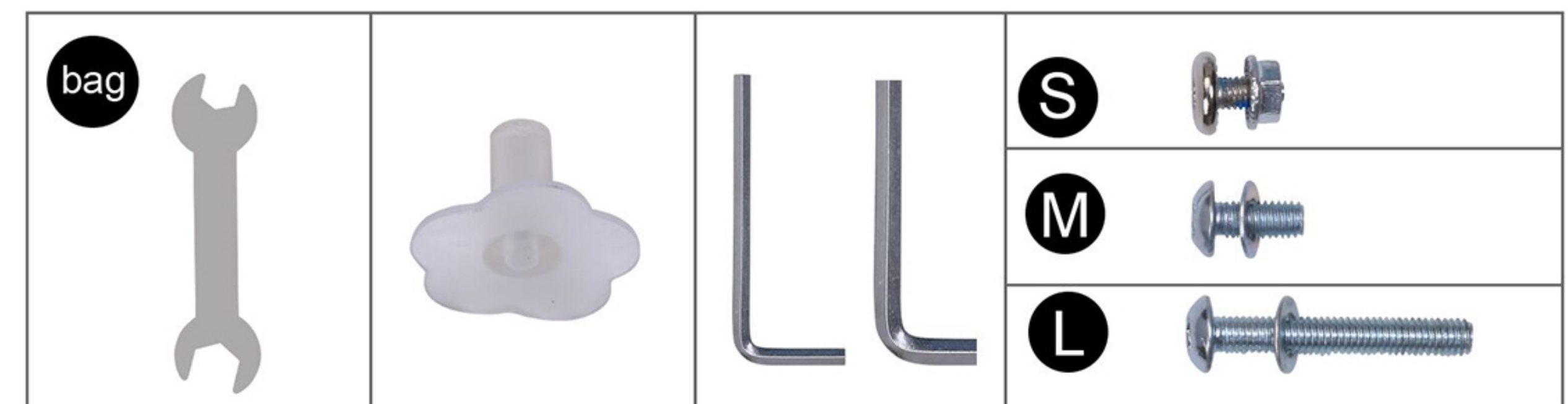
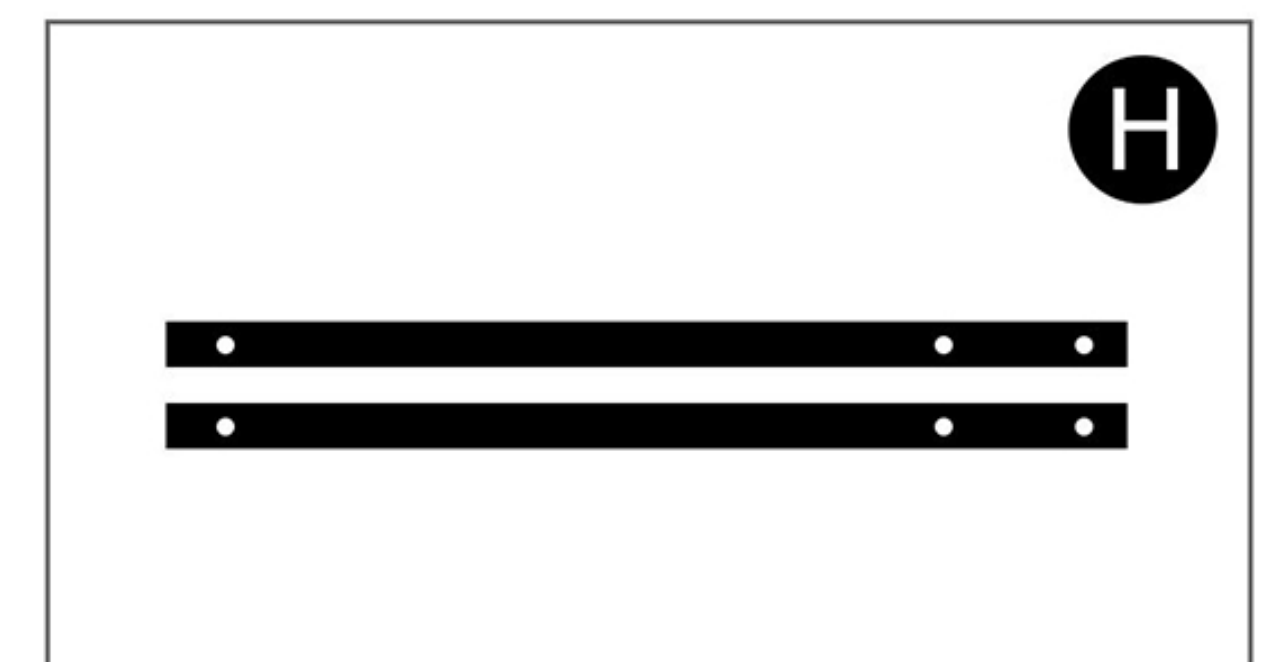
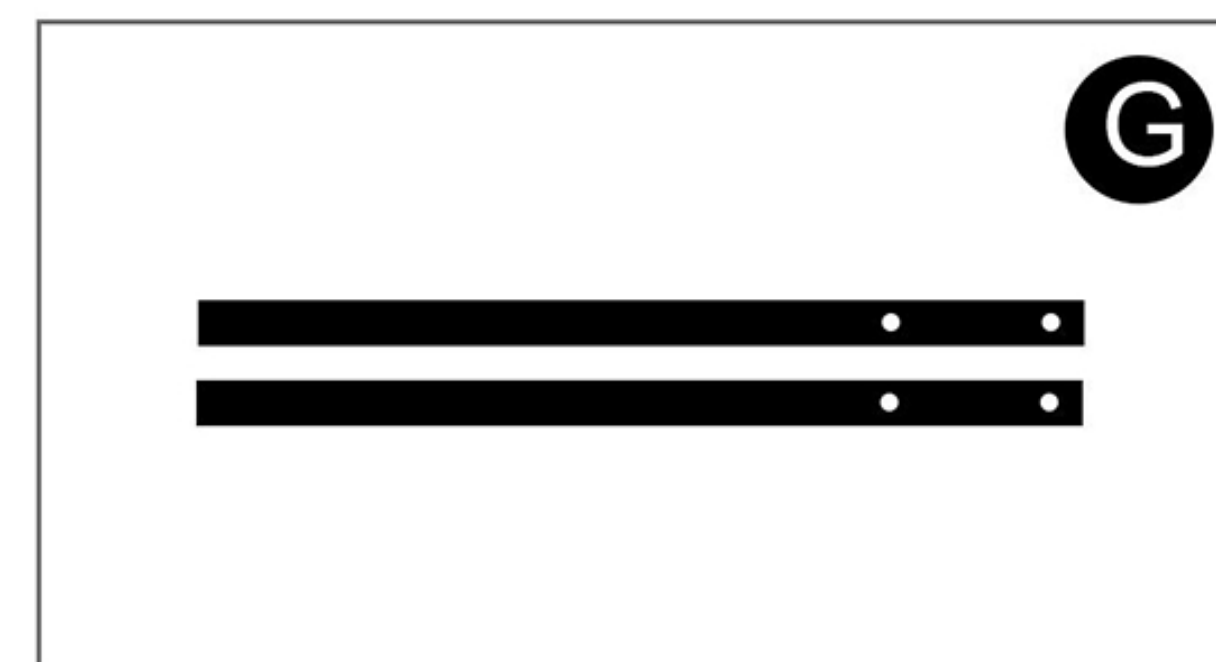
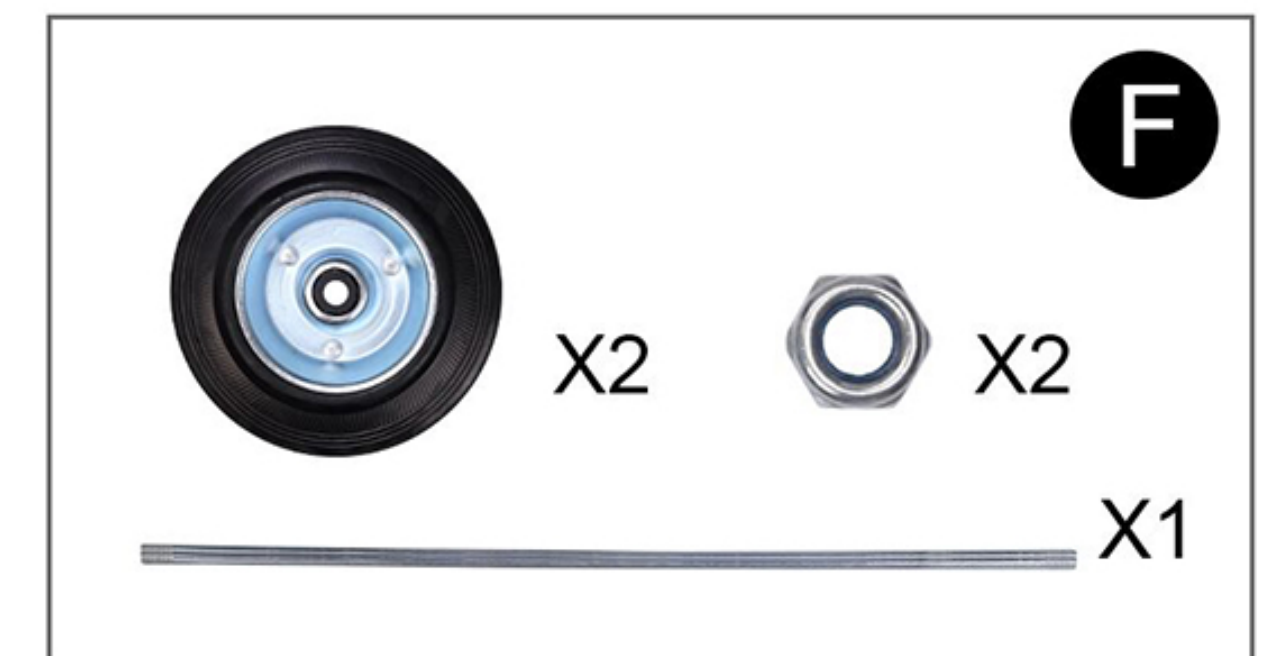
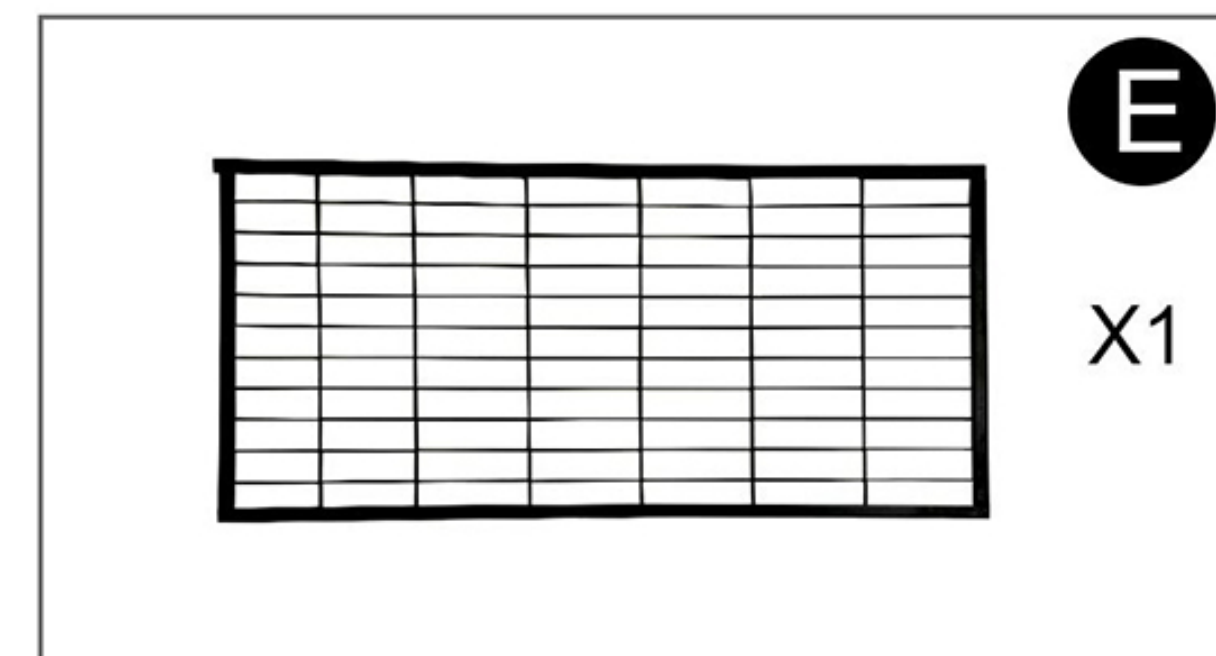
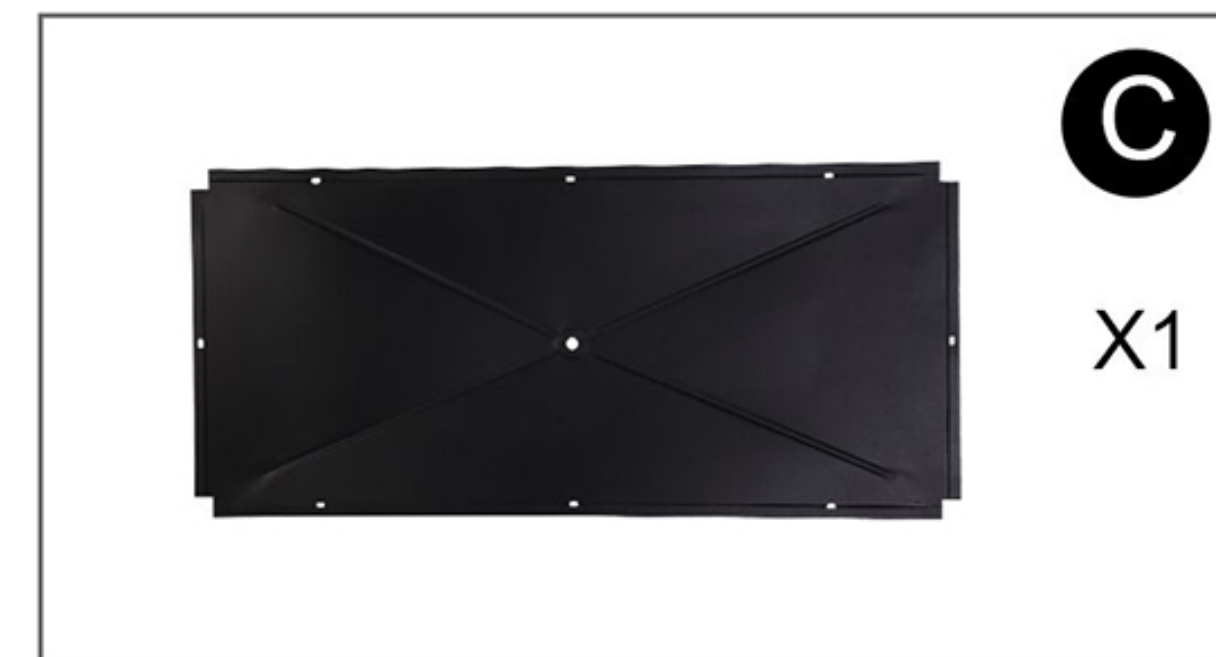
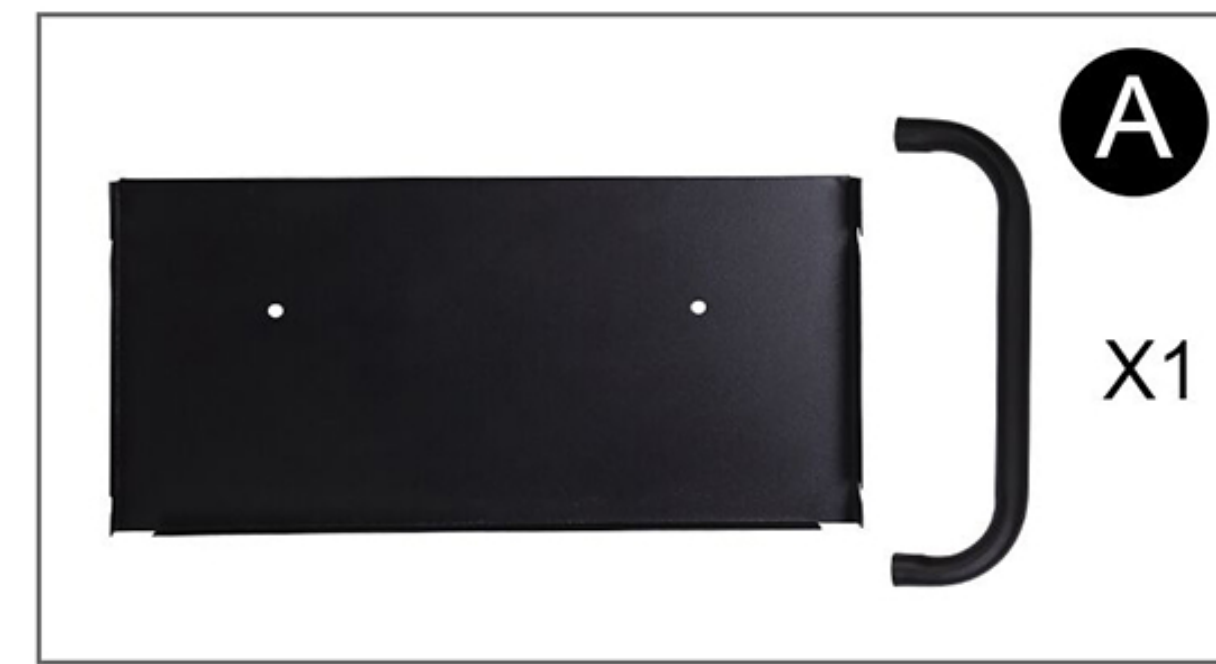


ELEVATED METAL PLANTER WITH WHEELS

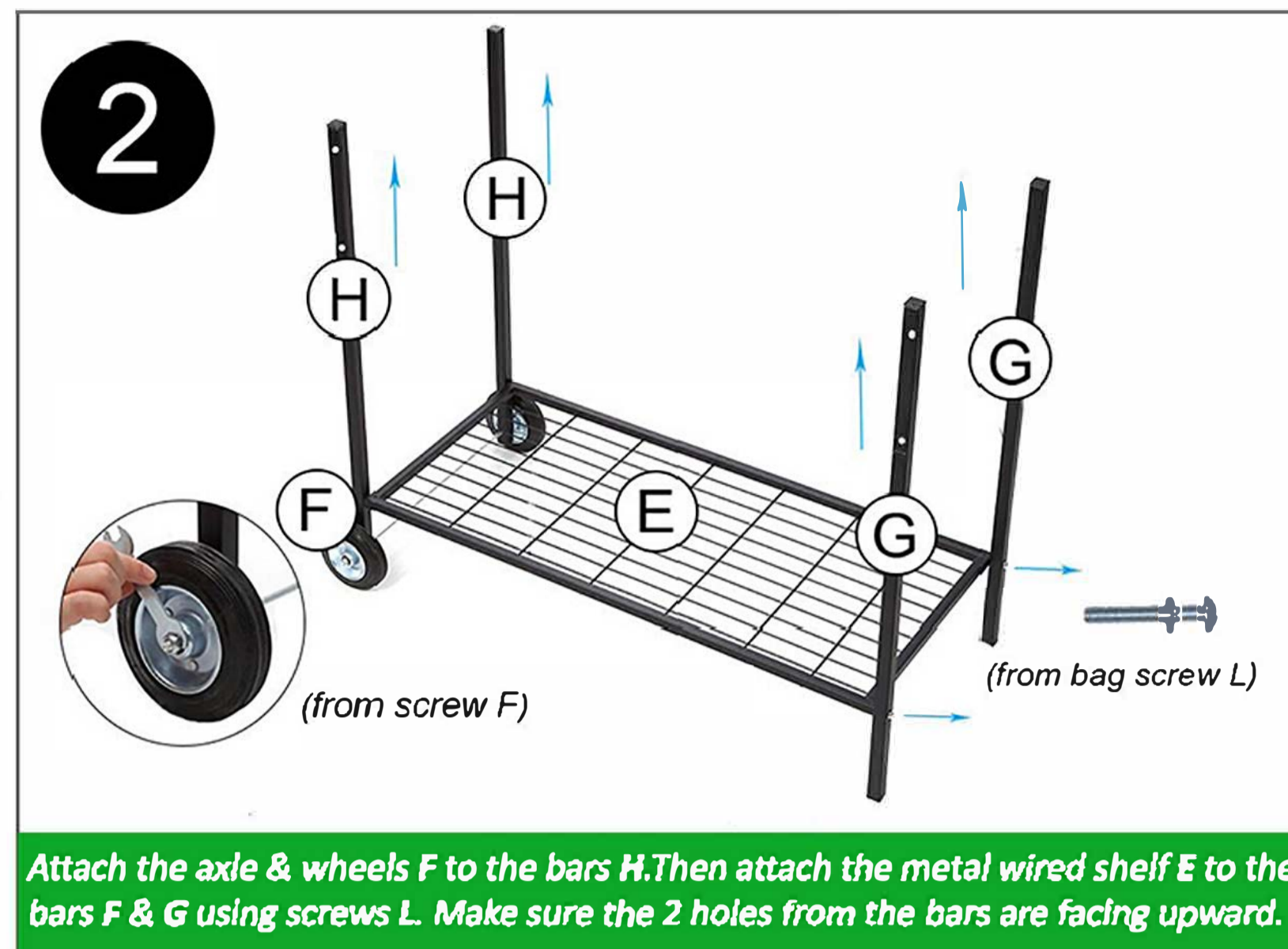


by Khomo Gear

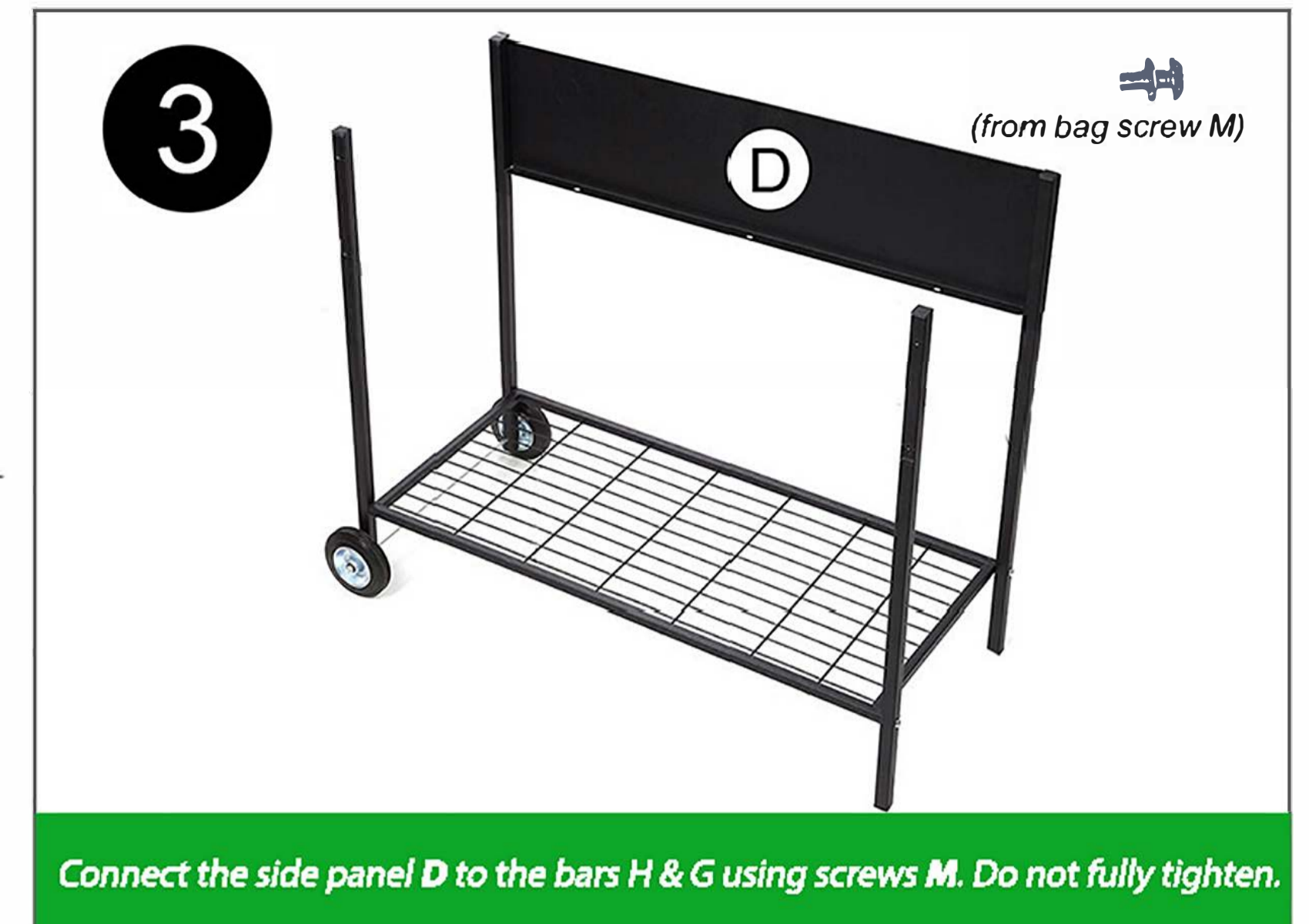




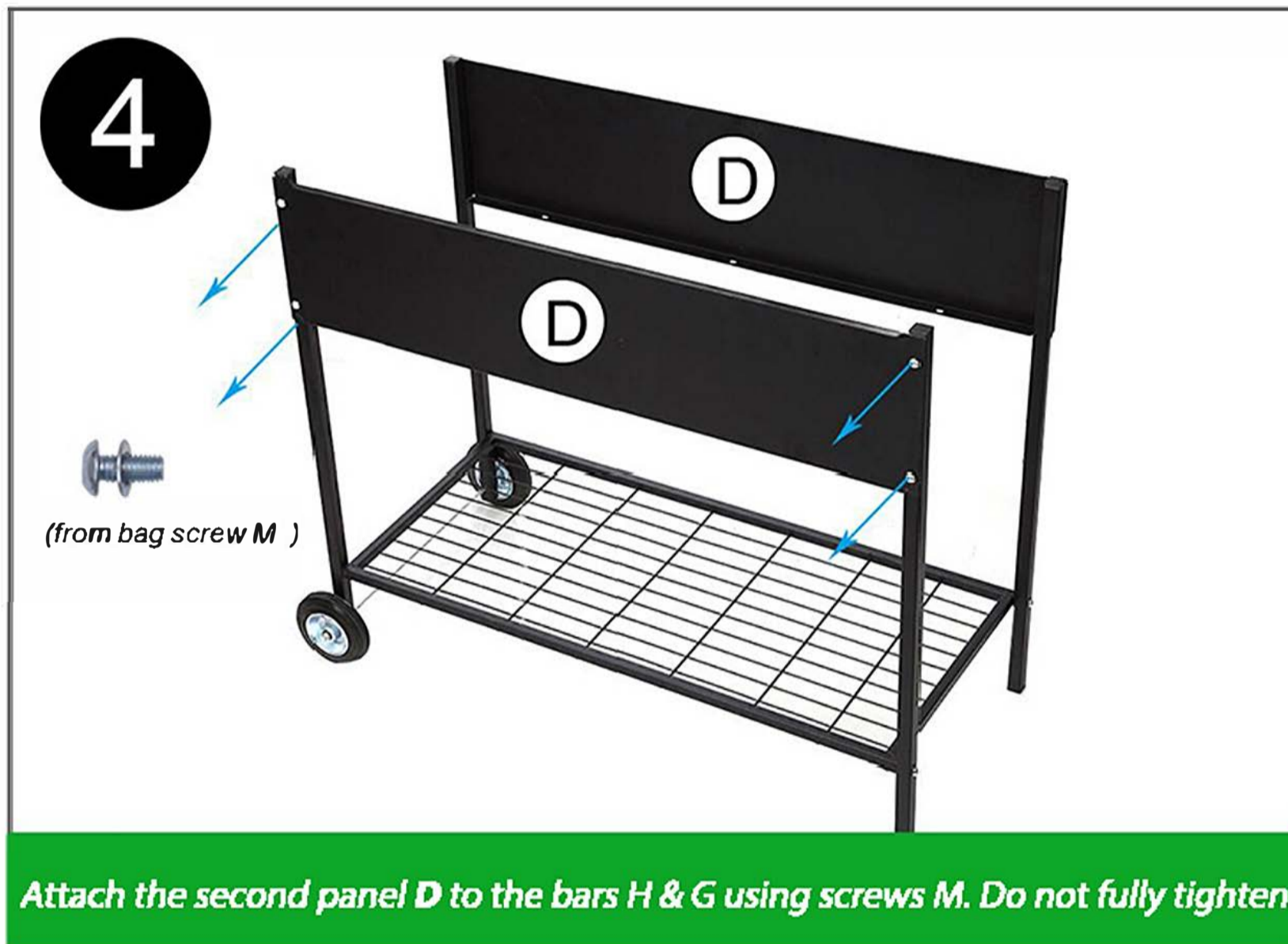
Attach the handle to the end panel A using screws and nuts M.



Attach the axle & wheels F to the bars H. Then attach the metal wired shelf E to the bars F & G using screws L. Make sure the 2 holes from the bars are facing upward.



Connect the side panel D to the bars H & G using screws M. Do not fully tighten.



Attach the second panel D to the bars H & G using screws M. Do not fully tighten.

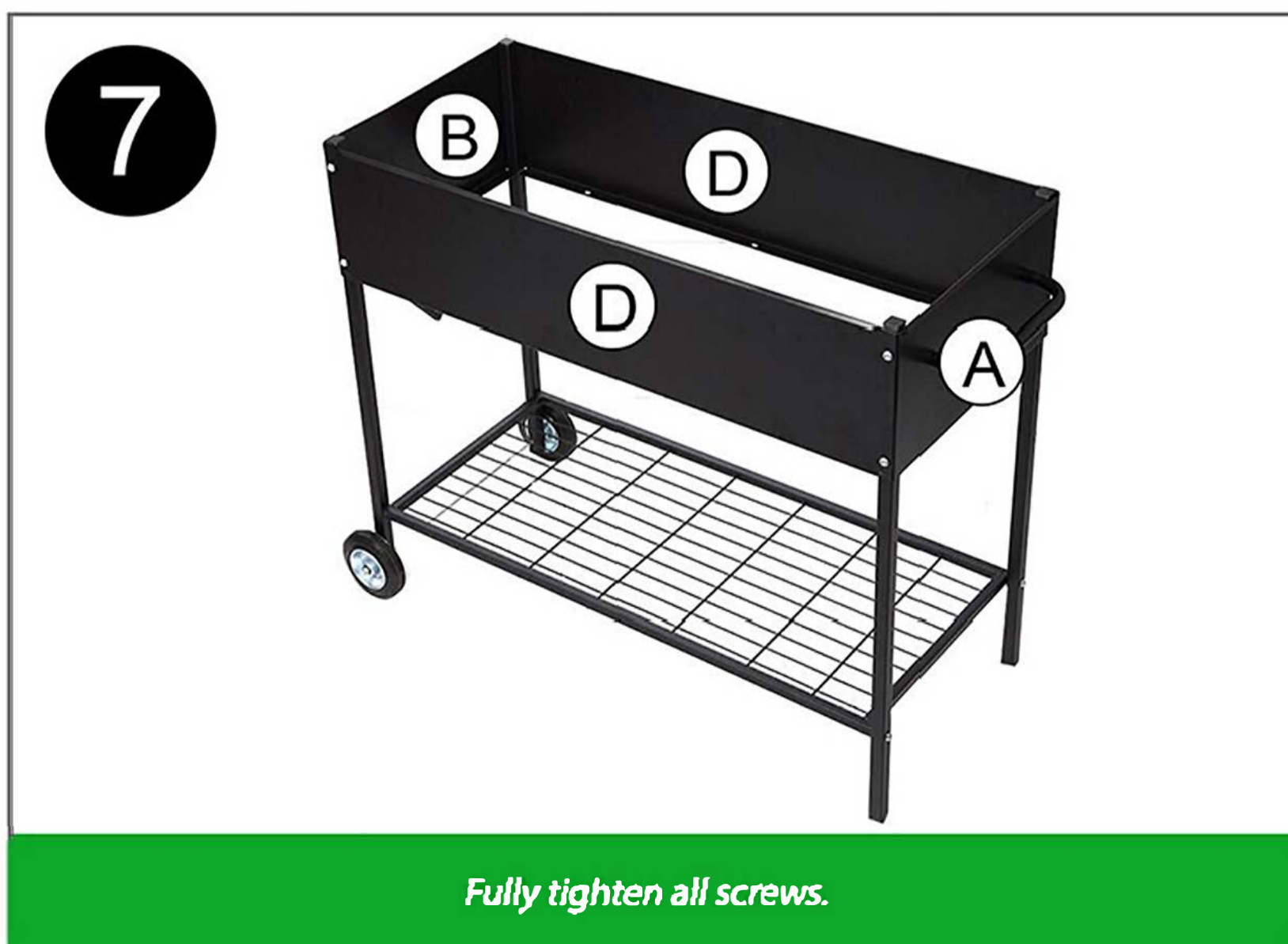


Hook end panel B into screws of both side panels D.



Insert Between The Two Plates

Hook end panel A into screws of both side panels D.



Fully tighten all screws.



Add the bottom panel C (with the x shaped groove facing upwards) into the planter box.



Align the bottom panel holes and tighten the screws and bolts S.