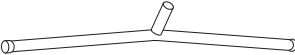


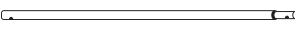

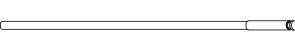
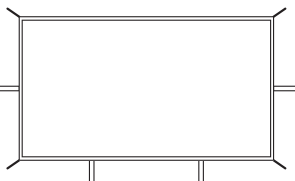

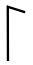



Parts Included :

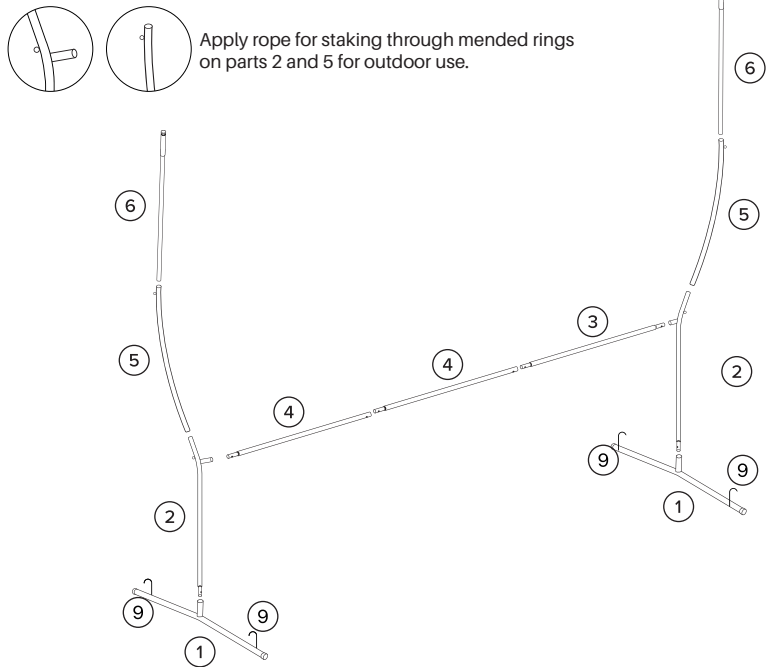
Portable Projection Screen Assembly Instructions

- ①  x2
- ②  x2
- ③  x1
- ④  x2
- ⑤  x2
- ⑥  x2
- ⑦  x1

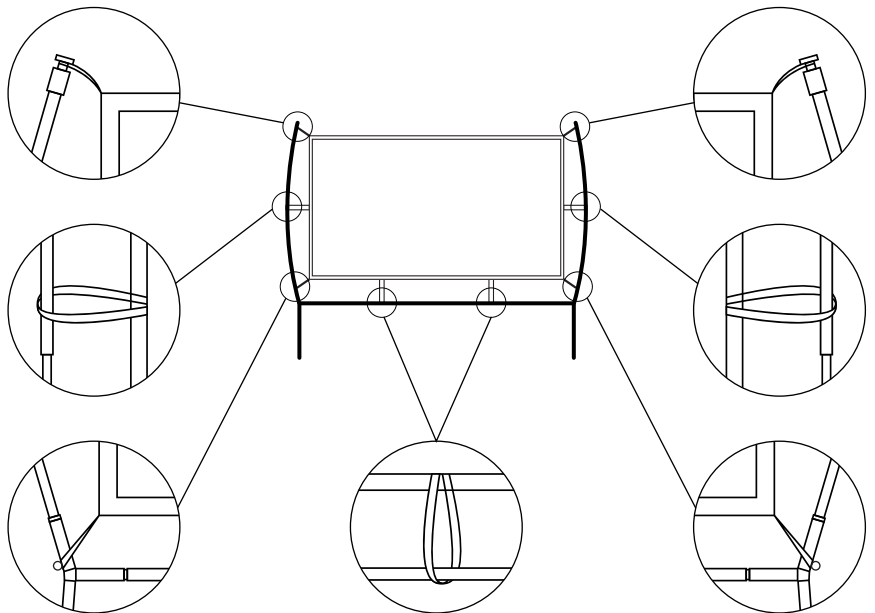
Note: Parts 8, 9 and 10 are to be used for outdoor use only.

- ⑧  x4 ⑨  x4 ⑩  x4
- ⑪  x2 Metal Spring Clip Replacements

1 Easy set up, connect all frame parts together following the numerical and graphic description below.



2 Easy set up, connect all frame parts together following the numerical and graphic description below.



Note: For outdoor use, refer to part numbers **8:** Tie down Ropes, **9:** Round Hook Stakes and **10:** Standard Ground Stakes.

8: Tie down Ropes should be tied and looped through the mended rings on parts 2 and 5. Tie and use part **10: Standard Ground Stakes** to stake down as necessary.

9: Round Hook Stakes can be used to secure bottom stand piece which would be part number 1. (You may refer to the graphic description above.)

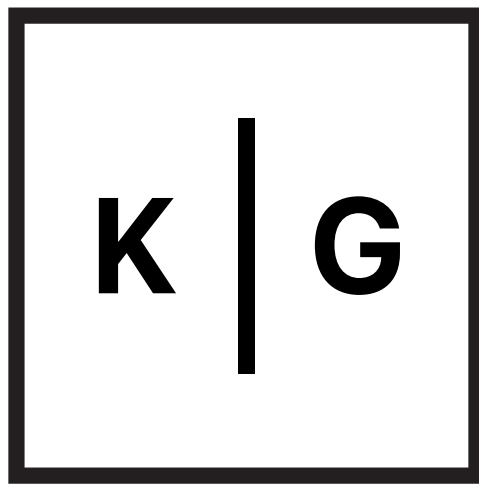
Screen Washing Instructions :

Machine wash in cold water. Once cleaning cycle is complete, do not dry in machine. Hang dry is required.



KHOMO GEAR
SMART LIVING

www.khomogear.com



K H O M O G E A R

S M A R T L I V I N G