

INSTRUCTION MANUAL

WASHING CYCLE

1. Place the Washer on the edge of a flat level sink or tub, make sure the drain hose plug is closed.
2. Insert the spinning Pulsator into the washer's bucket axle (bottom).
3. Add the required amount of water and detergent according to the washing chart, make sure to add the detergent and water before adding the clothes.
4. Add the clothing, close the lid, and make sure it is locked.
5. Insert the washing movable handle into the lid, pull the handle until it is fully upright.
6. Begin running the handle to wash, using added power at first. Turn clockwise one round and then counterclockwise one round.

RINSING CYCLE

1. After washing, take off the drain hose and open the plug to drain the liquid.
2. Turn the handle a few times to spin the laundry and drain any excess water.
3. Leave the laundry in the machine and refill it with clean water according to the amount listed in the washing guide.
4. Close the lid, rotate the handle for about 30 seconds and drain the load.
5. If the clothes need further rinsing, fill with clean water and repeat the process.

SPIN DRY CYCLE

1. Take out the Pulsator system and insert the drying basket into the washer's bucket axle (bottom).
2. Put the lid back, lock it, and take out the washing movable handle, and put the drying handle upright.
3. Make sure to take off the drain hose and open the plug.
4. Rotate the handle in one direction. For best results, hold the machine using your other hand so you can rotate quickly.
5. When spinning, you will be rotating the handle quickly so it is possible that the machine will shake slightly, this is normal.

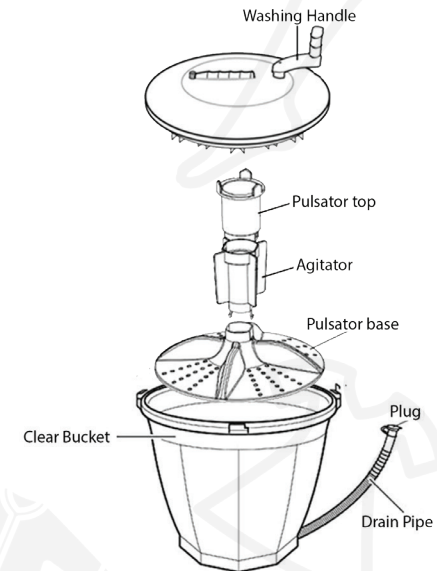
IN CASE OF SHAKING

It might mean The clothing is not distributed properly. In this case. Let the machine come to a standstill. Open the lid to balance the articles inside, Then close the lid and begin to spin again.

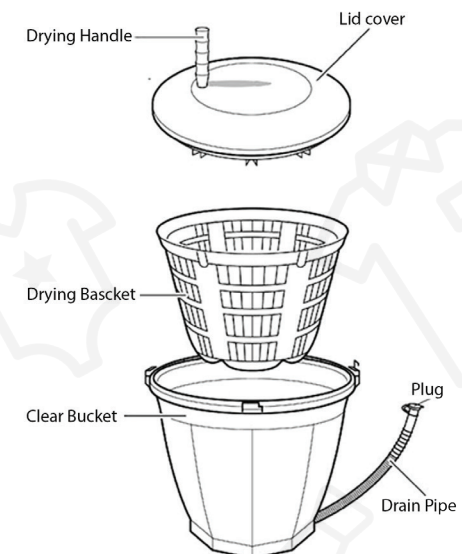
WASHING CHART

| Load (pcs) | Water (%full) | Detergent | Wash time |
|------------|---------------|-----------|-----------|
| 1 - 2 | 1/4 load | 1 tbsp | 1 min |
| 2 - 3 | 1/3 load | 2 tbsp | 1 min |
| 3 - 4 | 1/2 load | 3 tbsp | 2 min |

WASHING & RINSING SETUP



SPIN DRY SETUP





MANUAL
washing
MACHINE

by Khomo Gear

www.khomogear.com