











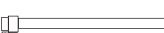
# Parts Included :

# Portable Projection Screen Assembly Instructions

- ①  x4
- ②  x2
- ③  x2
- ④  x1
- ⑤  x2
- ⑥  x6

**Note:** The numbered parts listed above reflect the graphic description top right of page.

**Note:** Parts 8, 9, 10, and 12 are to be used for outdoor use only.

- ⑧  x4
- ⑨  x4
- ⑩  x4
- ⑪  x2
- ⑫  x2

## Screen Washing Instructions :

Machine wash in cold water. Once cleaning cycle is complete, do not dry in machine. Hang dry is required.



Machine wash, delicate



Machine wash, In cold water



Hang to dry



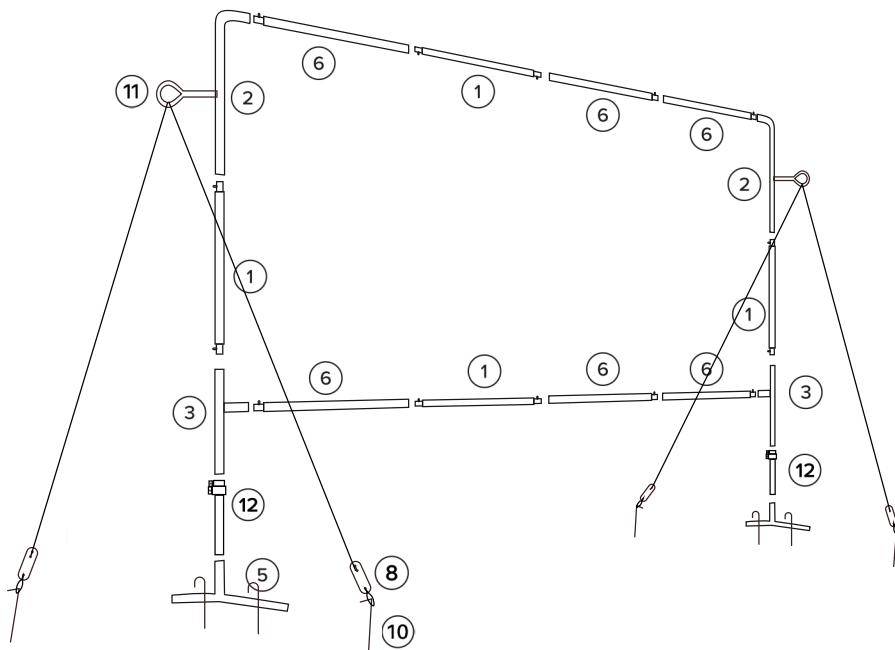
Do not dry in machine



**KHOMO GEAR**  
SMART LIVING

www.khomogear.com

① Easy set up, connect all frame parts together following the numerical and graphic description below.



② Once the frame is connected you will need to slide the screen over the connected frame. In order to do so you will need to then disconnect from the middle (Bottom of part #1 and top of part #3). Slide the screen over the connected top frame (Consisting of parts #1 and #2).

③ Lastly, you will reconnect the top half of the frame back on top over part#3 and let the rest of the screen drape down over the entire frame till it reaches its lowest point at the bottom bar. From there take both sides of the bottom and velcro over and across the bottom bar. Screen should start to fit tightly creating a perfectly stretched out and flat screen.

④ Set to your desired height and enjoy!

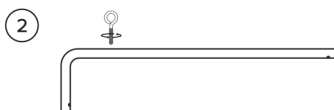
**Note:** For outdoor use, refer to part numbers **8: Tie down Ropes**, **9: Round Hook Stakes**, **10: Standard Ground Stakes** and **12: Sand Bags**.

**8: Tie down Ropes** should be tied and looped through the eye hooks on parts 2. Tie and use part **10: Standard Ground Stakes** to stake down as necessary. **12: Sand Bags** can be used for extra stability over the frames legs.

**9: Round Hook Stakes** can be used to secure bottom frame legs which would be part number 5. (You may refer to the graphic description above and parts list to the left.

**12: Sand Bags** should be used as anchor points on **Hard Surfaces** to secure the screen and frame in place by tying the ropes through and from the eye anchor to the sandbag loop handles. Arrange sandbags as you see fit for best stability.

### For Optional Stability / Windy Conditions:



**Part#2:** See parts included for reference

In the event that there are windy conditions, you may need to use eye hook attachments (Part#11). While you have the top of the frame/screen sleeved over and disconnected, use the eye hooks pictured in the graphic below and screw in designated hole on part#2.