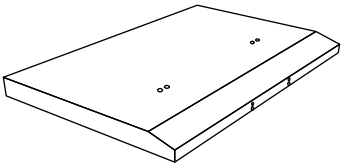
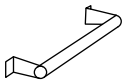
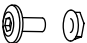

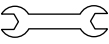

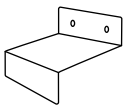


# Parts Included :

- ①  x1
- ②  x1
- ③  x4
- ④  x1
- ⑤  x1
- ⑥  x1
- ⑦  x2

2 extra hangers are included (#7 - parts included). Hang it with your griddle.

**Parts Included in order from top to bottom:**  
 x1 cover lid, x1 handle for lid, x4 screws and bolts, x1 Allen Wrench, x1 small wrench, x1 Velcro handle pad, x 2 fireproof hangers made to hang the griddle.

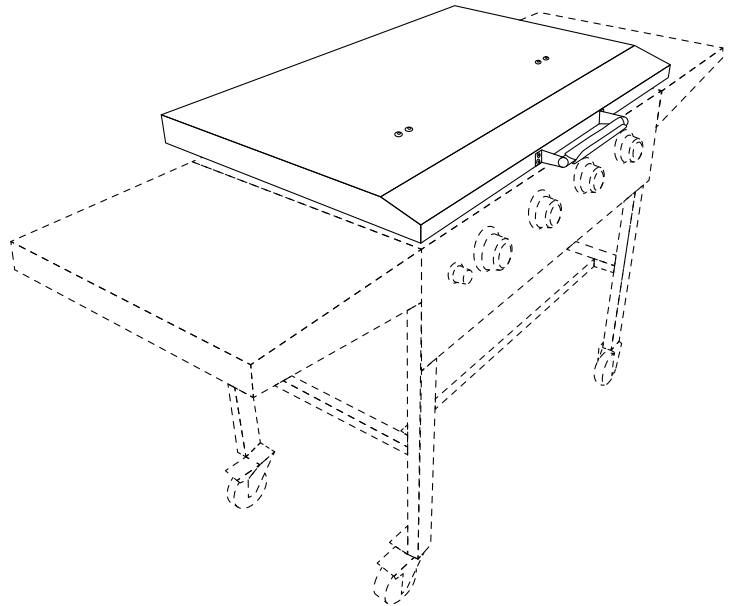
Maintain the cooking station tidy and enjoy your happy outdoor gather time!

Visit us at:



# Griddle Cover Lid Assembly Instructions

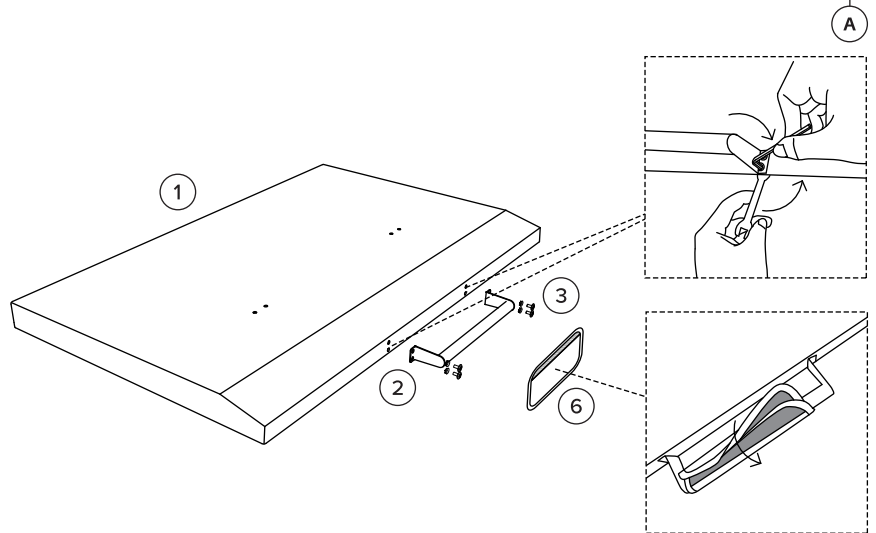
1 Easy set up, connect all parts of your hard cover lid together following the numerical and graphic descriptions below.



2 Hold the hard cover with the inside and top/front end facing towards you.

Feed the screws through each end of the cover handle one at a time. Use the small wrench to hold the bolts behind and the Allen Wrench to tighten the screws from the front. Secure by turning screw clockwise and holding the bolt in place or turning counter clockwise. Try not to over tighten.

**Note:** Refer to **Graphic A** for a closer look

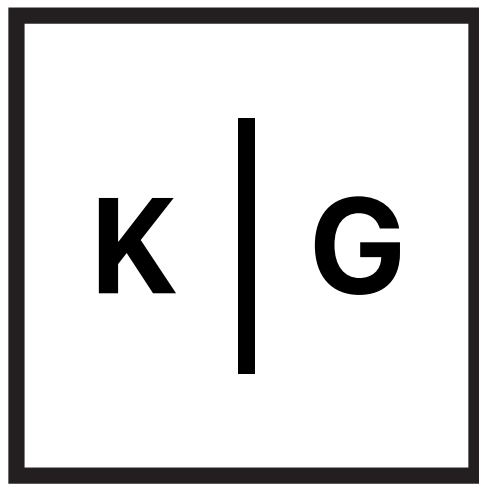


3 **Note:** Refer to **Graphic B** for a closer look

Handle set included is made from heat insulated materials. Handles are made to be fireproof.



Please be sure to always use your handle set while handling the hot cover of your griddle at all times as surface and/or griddle handle may be hot.



**K H O M O G E A R**

S M A R T L I V I N G