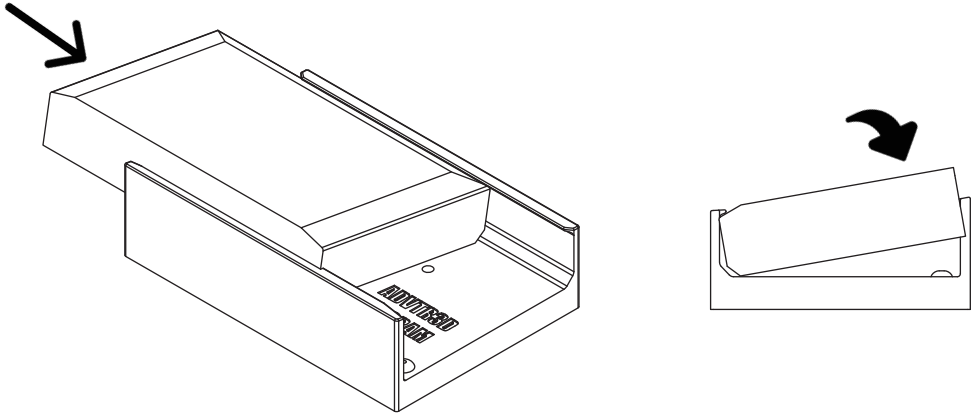


# SCANGAUGE 3 INSTALLATION GUIDE

INSERT GAUGE AT AN ANGLE AND SLIDE IT TO END OF MOUNT.  
PRESS DOWN TO SECURE THE GAUGE INSIDE THE MOUNT FOR A RATTLE-FREE EXPERIENCE.  
\*NOTE\* FLAT HEAD SCREWDRIVER OR SIMILAR TOOL IS REQ'D. TO UN-PLUG THE RJ45 JACK.  
REVERSE THESE STEPS TO REMOVE THE GAUGE.



NOTE: CHECK RAM BALL SCREW CLEARANCES PRIOR TO GAUGE INSTALL  
TO PREVENT DAMAGE TO YOUR MOUNT & GAUGE!



SALES@ADVTR3D.COM - ADVTR3D.COM - @ADVTR3D