

ASSEMBLY MANUAL

How to Build the

10X17 AVYNA

In 7 Easy Steps



Avyna

**DIY Installation instructions
for a rectangular Anyna
In-ground Trampoline**

*Including assembly of the
optional safety enclosures*

Tubes

Top



A1 K Tube (2)
TEPL-352-fj-1141 / A



A2 K Tube (2)
TEPL-352-fj-1141 / B



A3 C Tube (2)
TEPL-352-fj-1142 / A



A4 C Tube (2)
TEPL-352-fj-1142 / B

Top Connectors



B1 C Tube Connector (2)
TEPL-352-fj-1142 / C (4 bolts)



B2 K Tube Connector (2)
TEPL-352-fj-1141 / C (6 bolts)

Top Connectors



T I Tube (12)
TEPL-352-fg-115



C L Tube (4)
TEPL-352-fg-802



D I Tube (2)
TEPL-352-fg-802 / B



E I Tube (6)
TEPL-352-fg-802 / A

Nuts & Bolts



F Screw M8 (20)
M8-7

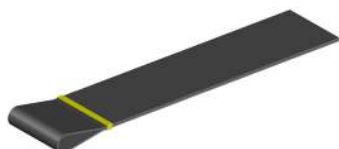


G Screw M8 (24)
M8-16



H Parker Screw (36)
M4x16

Other Pieces



I Retaining Wall 1 (4)
352-fl-121/A



J Retaining Wall 2
352-fl-121/B



K Jump Mat (1)
TEPL-352-fl-222



L Galvanized Long Springs (120)
TEPL-200-211/A



M Galvanized Short Springs (8)
TEPL-200-211/E



N Safety Pad (1)
AVGR-352-fl-333-grey



O Safety Pad Fastenings (24)
TEPL-ELAS-B



P Hooked Safety Pad Fastenings (already attached) (24)
TEPL-ELAS-D

Tools in the Box



Q Wrench (1)



R Allen Wrench (1)



S Spring Tool (1)



T Short Measuring Tool (1)
2300-131/A



U Long Measuring Tool (1)
2300-131/B

General Helpful Tips

- 1 Gather your tools** - it's always good to take inventory of what you have access to before you begin your project
- 2 Know your team** - how many people you have to help you.
- 3 Plan accordingly** - this is the kind of project where the timing of it can change pretty dramatically depending on the resources at your disposal (whether in tools or manpower). Be sure to block off an appropriate amount of time to finish and be **GENEROUS** with it.
- 4 Shade is your friend** - the metal poles and springs can overheat quickly if left in the sun for too long, which can make installation even more difficult.





30 - 45 Minutes



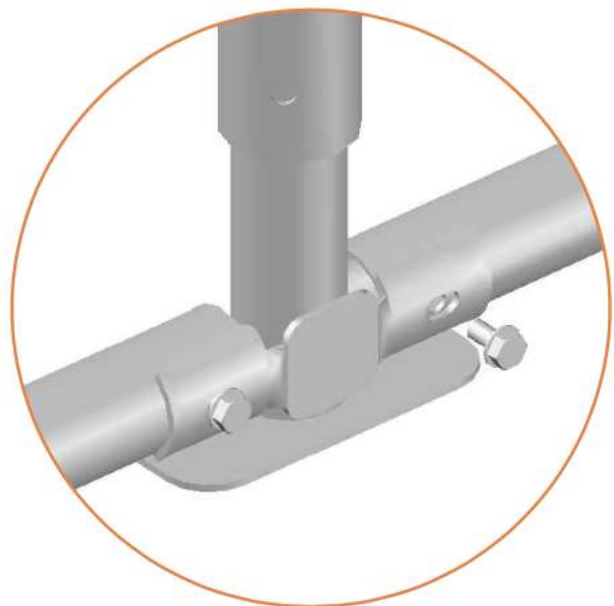
- **Wrench to hold the bolts**
You can use the **Wrench** that came with your box, or a Socket Wrench of your own that fits.
- **Allen Wrench (Provided)**
- **Gloves**

Step ONE

Assemble Your Frame

Trampoline Tip #1: It's always helpful to lay out all of your pieces in the tentative shape on a flat surface next to the location you are going to install the trampoline!

- 1 Top:** Begin by connecting **A1** and **A2** using **B2** piece. Connect **A3** and **A4** using the **B1** piece. Secure in place by using the **F** set on **B1** and **B2**. All the pieces combined will form the top frame.
- 2 Middle:** Once the top part of the frame is secured, insert **T** into the neck joints along the upper frame. You'll want the curved bottoms of **T** to be on the outer edge of the frame.



Trampoline Tip #2: It is easiest to start at one and do this clockwise while adjusting as needed.

- 3** **Bottom:** Using **G**, connect **C**, **D**, and **E** to form the bottom frame.



NOTE: The longer sides of the frame will appear to bow outwards - don't worry! This is by design. When the springs and mat are added on, it will disappear.



If you are installing the optional enclosure, please see appendix enclosure instructions now.



15 - 30 Minutes



- Gloves
- Avyna Spring Tool

Step TWO

Add Mat and Springs

Set Up: Now that your trampoline has been assembled, in order to straighten out the bow in the long sides of the frame, you're going to add the springs and jump mat. This will help in the next step when adding the retaining wall.

- 1 Starting in the corners, you'll want to attach all the **Short Springs (M)** to their respective loops in frame and **Jump Mat (K)**. There should be 8 corner springs total.
- 2 Attach a **Long Spring (L)** on the North, South, West and East side of the frame and **Jump Mat (K)**. Begin filling in the remainder of the springs. Utilize the **Spring Tool** if you come across a spring you're struggling to stretch out.

Trampoline Tip #3: Keep an eye on the tension and make sure it stays even. It's helpful to do this step with a partner.

NOTE: As you attach the springs and mat, you should see the bow in the frame begin to straighten out.



 30 Minutes



• Electric drill or crosshead screwdriver

Step THREE

Attach the Retaining Wall

SET UP: While unraveling the retaining walls, you will see that there are four corner pieces and two longer straight pieces. The pieces are meant to overlap as you attach them.

Trampoline Tip #4: Just like the frame, we always suggest laying out the pieces in the tentative shape and location they will go.

- 1 First Panel:** Starting in a corner of your choice, you will attach **Retaining Wall (I)** using **H**. Line the center of the **Retaining Wall (I)** up with the corner of the frame (you should see some divots in the **Retaining Wall (I)** that will line up with the edges) and the slits in the retaining wall with the holes on the upper retaining wall. Once they are lined up, begin attaching using the screws from **H**.



- 2 Remaining Panels:** Using the **H**, work your way around the remainder of the frame while attaching the **Retaining Wall (I)** and **Retaining Wall (J)**. Be sure to make the wall as flush with the frame as possible. This might require occasionally backtracking and loosening portions of the wall to get rid of sections that are protruding or not flush.

Trampoline Tip #5: The screws in the **H** set are self tapping screws by design. You may find yourself in a scenario where you have to create your own hole in the frame instead of using one that is pre made. This will especially be true for the lower frame.



LED Lights: If you purchased the LED lights this would be the best time to attach them to the inside of the trampoline retaining wall.

**2 - 8 hours**

The time it takes to dig the 10x17 hole can vary depending on the number of people and accessibility to tools. A landscaper with access to an excavator might be able to have the hole dug in 2-3 hours. A team of people with shovels will take more time. Plan accordingly with the resources available to you.



Tools may vary depending on your accessibility. At the bare minimum you will need:

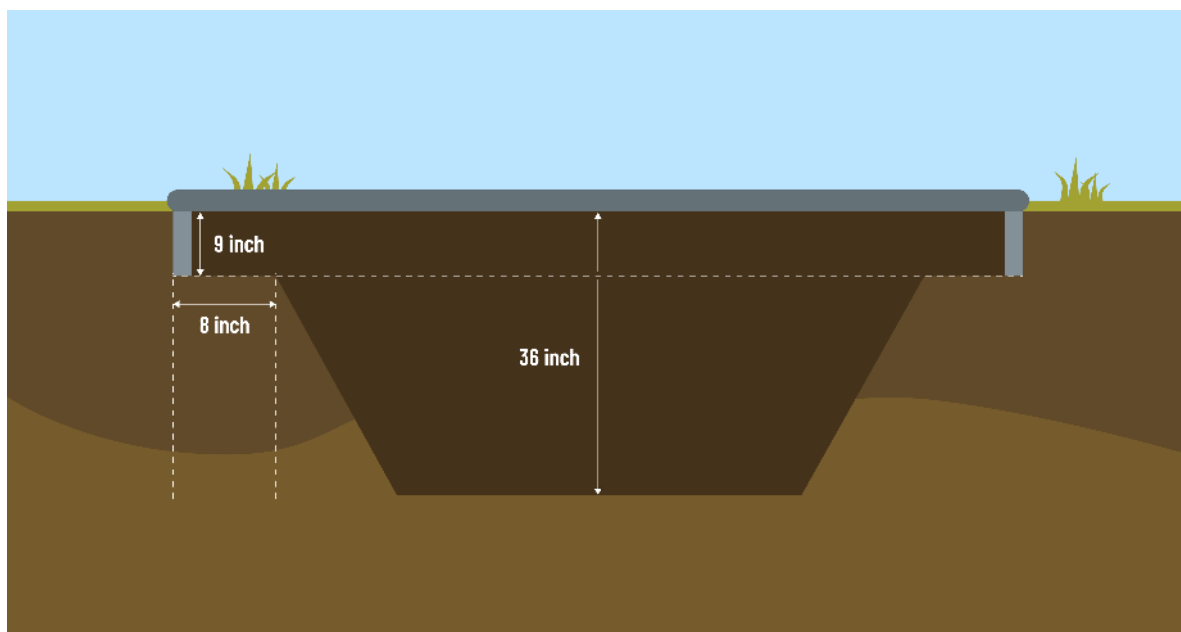
- **Shovels**
- **Gloves**
- **A level**
- **A tape measure**
- **Pick Axe**

Other tools like a spirit level or excavator / mini digger will help speed the process up.

**Step
FOUR**

Dig the Hole

SET UP: Digging the hole can be the trickiest and most time consuming part of this experience. But don't worry, we're here to help! By observing the graphic, the steps that follow and utilizing the two measuring rods that came in the box, you'll have the perfect hole for your trampoline! Because the Avyna 10x17s utilizes a modified retaining wall system that sits on a shelf, you'll essentially be digging two holes. See the following graphic.



Trampoline Tip #5: Though a can of “grass spray” is not needed for marking your trampoline digging area, we find that it can be an incredibly helpful tool!

- 1 Outline:** Using your assembled frame as a guide, you'll want to mark out the area that you'll be digging. With the Avyna frame, you can be pretty exact, but we recommend usually having about 2-4 inches on the outside of the frame that will be backfilled later on. It is important that these inches are not included in the 8 inch shelf the frame will be resting on.
- 2 Dig Top Hole:** After marking out your trampoline, begin by digging the upper hole for your retaining wall and frame. It should be 9 inches deep. Remember to use your **Short Measuring Rod (T)** to help with that distance! You'll want to save about 2-3 wheelbarrows full of dirt to help backfill the frame later on.



Trampoline Tip #6: Though it is not necessary, some people like to save portions of the removed turf and grass to add back into the area on the outside of the frame post installation.

- 3 Dig Inner Hole:** Measuring about 8 inches away from the edge of the wall, begin to dig your inner hole. It should be 27" deep minimum, to make a total of 36" minimum from the top of the hole to the bottom. You'll want to dig the slant of your hole at about a 45 degree angle. If you plan to add gravel at the bottom, dig your hole 2-3" deeper to accommodate for the gravel. The **Long Measuring Rod (U)** and **Short Measuring Rod (T)** stacked on each other will make 40", which is the length you would want if adding gravel.





15 minutes - 1 hour



- Gloves
- Shovel

Step FIVE

Place and Level

SET UP: Once the retaining wall is attached to your assembled frame, and your initial hole has been dug, it's time to make sure it's level and your trampoline is as flush with the ground as possible.

- 1 Placing the Frame:** Using at least two people, you'll want to lift the frame into the hole and onto the shelf you've created.
- 2 Checking Levels:** Check to make sure that your trampoline is level and as flush with the ground as possible.

IF IT IS LEVEL



Move onto **step 5.5**.

IF IT ISN'T LEVEL



Work to remove or add dirt to the necessary areas along the frame.

Some people like to take the frame out of the hole while making adjustments, while others like to keep it in. It is totally up to your comfortability level. When done, move onto step 5.5.

Step
FIVE
& A HALF

Gravel / Drain

INFO: A common question we receive is about drainage. In most instances, water is just absorbed into the ground like it would before the soil was disturbed. That being said, down below are some options for those who this is a concern for or those who live in rainier than usual climates.

Weed Barrier

- A simple weed barrier is a great way to combat weeds and other plants from growing underneath your trampoline.
- Who we recommend it for: Everyone! No matter the climate.

Gravel

- 2-3 inches of gravel is a great way to help water get distributed back into the soil. It also adds a nice clean look to it.
- Who we recommend it for: People in climates with moderate to heavy rainfall. OR. Anyone who is looking for a cleaner looking trampoline hole.

Soak Away

- A soak away drain is a really effective tool for distributing large amounts of water when it rains.
- Who we recommend it for: Only people in areas with heavy rainfall or high water levels in their soil.
- For high water tables or poor drainage soil you may need to install a sump pump. Consult with your landscaper or installer.

 20 minutes



- Gloves
- Shovel

Step SIX

Back Fill

SET UP: Now that your frame is in the ground with the mat and springs, you should notice that there will be a considerable gap between the edge of the frame and dirt hole you made. It's time to get those wheelbarrows of dirt you saved earlier and get filling!

- 1 Backfill:** Making your way along the edge of the trampoline, fill in the gaps with soil, packing it down tightly as you go with your foot, do not use equipment to pack the dirt as this may cause damage to the frame and trampoline. By the end, there should be NO GAPS between your trampoline frame and the rest of your yard.
- 2 Sod:** If you saved grass from earlier, lay it down as the top layer on your tightly packed dirt.

Trampoline Tip #7: Have someone jump on the trampoline as you backfill the dirt around the frame wall. This will help to further fill any gaps and ensure the trampoline is tight within the ground.



Step
SEVEN**Safety Pad**

SET UP: Now that your trampoline has been backfilled, you just need to attach the Avyna Safety Pad and your trampoline will be fully operational!

- 1 Safety Straps:** Flipping the pad upside down, work your way along and attach **Safety Pad Fastenings (O)**, feed the elastic through the two clear plastic eyelets, leaving it loose to later secure to the jump pad. You will find these elastic fasteners bundled up on the inside of the pad.
- 2 Secure to Jump Pad:** Once all of the safety straps are through their respective eyelets, place the pad over the springs and mat. You'll notice on the jump mat there are loops on the outer edge. These are meant for threading your **Safety Pad Fastenings (O)** through and securing them to the mat.
- 3 Attach Hooks to Springs:** On the outside edge of the safety pad, you will see the **Hooked Safety Pad Fastenings (P)** are already attached. These will attach to the adjacent spring loop. (See image far right below)

Trampoline Tip #8: To get the elastics through the plastic eyelets you may need to use a small wire or hook to feed them through.



Congratulations! Happy Jumping!

10x17 Avyna In-Ground Trampoline is available at



www.Trampolines.com

For installation assistance or other information email, text or call:

Trampolines.com **1-844-USA-JUMP** or email questions to

orders@trampolines.com

