



Westinghouse

INNOVATION YOU CAN BE SURE OF

Portable Generators



Home



Work



Play



Power - when you need it - where you need it

Digital Inverter Generators

Westinghouse digital inverter generators offer you the ultimate in portable power convenience. Lightweight, fuel efficient and quiet, their mains-quality electrical output can safely power all of your sensitive electronic equipment. They're an essential part of your gear for caravanning and camping and also great for home as a backup power supply.



iGen1200
1000 Running Watts
1200 Starting Watts



iGen2200
1800 Running Watts
2200 Starting Watts



iGen2500
2200 Running Watts
2500 Starting Watts

You can be sure...if it's Westinghouse



iGen4500
3700 Running Watts
4500 Starting Watts

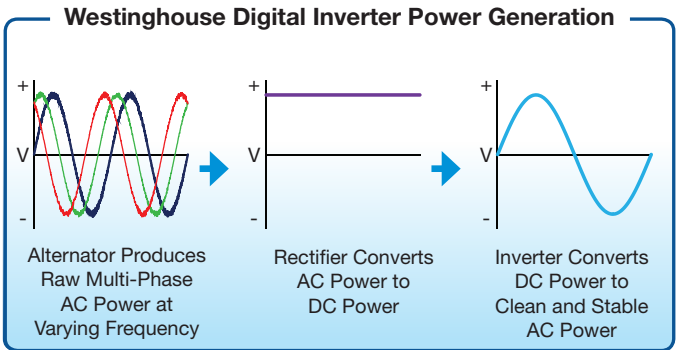


**2400i
Classic**
2100 Running Watts
2400 Starting Watts

Model	Max. Output	Engine Size	Fuel Tank	Max. Runtime	Min. Noise	Dry Weight
	kVA	cc	Litres	Hours	dB(A)	kg
iGen1200	1.2	54	2.8	15	51	15
iGen2200	2.2	79	4.3	19	51	21
iGen2500	2.5	98	4.3	17	51	21.5
iGen4500	4.5	224	13.5	24	51	49.5
2400i Classic	2.4	79	5	24	51	20

Digital Inverter Generator Technology

The pure sine wave power output from Westinghouse digital inverter generators is produced in a three-step computer-controlled process, unlike standard generators that use the raw power output from a hardwired alternator. And whereas standard generators run constantly at full speed, inverter generators operate more efficiently by varying their engine speed according to the electrical power demand.



Application Guide

Westinghouse digital inverter generators can individually power most electrical appliances, electronic equipment, power tools and lights that are normally plugged into a standard 240 Volt socket. For more detailed generator selection advice, please refer to the consumer guides at westinghousepower.com.au

Warranty Protection

To ensure the lasting quality of your ownership experience, all Westinghouse portable generators are covered by a comprehensive factory-backed two year domestic use warranty (conditions apply).

Professional Series

The Professional Series of Westinghouse generators offer you the highest levels of safety and portability in compliance with Australian WH&S regulations. An RCD safety switch and weatherproof outlet(s) protect against electric shock. And ergonomic lifting handles and all-terrain wheels provide enhanced mobility.



**RCD
SAFETY
SWITCH**

WHXC3750-PRO

*3000 Running Watts
3750 Starting Watts*



**RCD
SAFETY
SWITCH**

WHXC8500E-PRO

*6750 Running Watts
8500 Starting Watts*

ELECTRIC START

Model	Max. Output	Engine Size	Fuel Tank	Run Time *	Noise Level #	Dry Weight
	kVA	cc	Litres	Hours	dB(A)	kg
WHXC3750-PRO	4.7	208	15	16.8	76	52
WHXC8500E-PRO	10.6	420	25	13.1	80	94

* At 50% output. # At 100% output.

Utility Series

The Utility Series of Westinghouse generators are compact, high performance units designed specifically for Australian operating conditions. Equipped with a unique combination of high quality features, they offer superior value for money and are an ideal portable power supply for your home, business or farm.



WHXC3750
3000 Running Watts
3750 Starting Watts



WHXC5000
4000 Running Watts
5000 Starting Watts

Utility Series



WHXC7000

5500 Running Watts
7000 Starting Watts



WHXC8500E

6750 Running Watts
8500 Starting Watts



Model	Max. Output	Engine Size	Fuel Tank	Run Time *	Noise Level #	Dry Weight
	kVA	cc	Litres	Hours	dB(A)	kg
WHXC3750	4.7	208	15	16.8	76	52
WHXC5000	6.3	292	25	18.7	76	71
WHXC7000	8.8	357	25	15.3	80	80
WHXC8500E	10.6	420	25	13.1	80	94

* At 50% output. # At 100% output.



Westinghouse

INNOVATION YOU CAN BE SURE OF

Portable Generators



westinghousepower.com.au



Authorised Westinghouse Dealer

Specifications are subject to change without notice. 2018-07