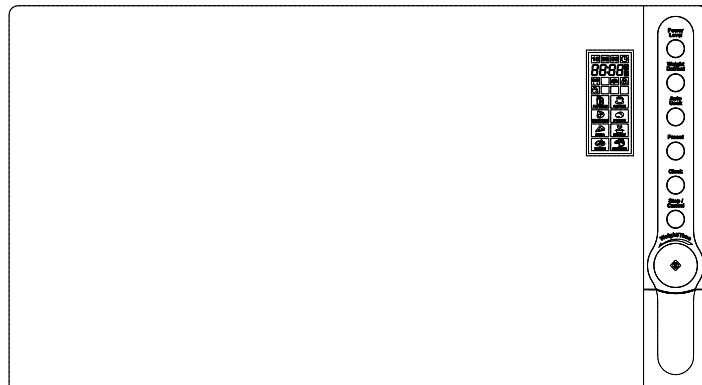




MICROWAVE OVEN



MODEL: 041439

Owner's Manual

Please read these instructions carefully before installing and operating the oven.
Record your Serial No. in the space below found on the ID label on your microwave
and retain this information for future reference.

SERIAL NO.

CONTENTS

PRECAUTIONS TO AVOID POTENTIAL EXPOSURE TO EXCESSIVE MICROWAVE ENERGY ...	1
IMPORTANT SAFETY INSTRUCTIONS	2
SPECIFICATIONS	3
INSTALLATION.....	3
RADIO INTERFERENCE.....	3
MICROWAVE COOKING PRINCIPLES	4
GROUNDING INSTRUCTIONS	4
BEFORE YOU CALL FOR SERVICE	4
UTENSILS GUIDE	5
PART NAMES.....	5
CONTROL PANEL.....	6
HOW TO OPERATE THE OVEN CONTROLS.....	7
Setting digital clock.....	7
Microwave cooking.....	7
Easy defrost	7
Preset/Timer.....	7
Quick start.....	8
Multistage cooking.....	8
Auto cook	9
Child lock	9
CLEANING AND CARE	10

PRECAUTIONS TO HELP AVOID POTENTIAL EXPOSURE TO EXCESSIVE MICROWAVE ENERGY

1. Do not attempt to operate this oven with the door open since open door operation can result in harmful exposure to microwave energy. It is important not to interfere or tamper with the safety interlocks.
2. Do not place any object between the oven front face and the door or allow dirt or cleaner residue to accumulate on sealing surfaces.
3. Do not operate the oven if it is damaged. It is particularly important that the oven door is closed properly and that there is no damage to:
 - a. Door (bent),
 - b. Hinges and latches (broken or loosened),
 - c. Door seals and sealing surfaces.
4. The oven should not be adjusted or repaired by anyone except properly qualified service personnel.

IMPORTANT SAFETY INSTRUCTIONS

When using an electrical appliance, basic safety precautions should be followed, including the following:

WARNING: To reduce the risk of burns, electric shock, fire, injury to persons or exposure to excessive microwave energy:

1. Read all instructions before using the appliance.
2. Use this appliance only for its intended use as described in this manual. Do not use corrosive chemicals or vapors in this appliance. This type of oven is specifically designed to heat, cook or dry food. It is not designed for industrial or laboratory use.
3. Do not operate the oven when empty.
4. Do not operate this appliance if it has a damaged cord or plug, if it is not working properly or if it has been damaged or dropped. If the supply cord is damaged, it must be replaced by Camec or an authorised service agent or a similarly qualified person in order to avoid a hazard.
5. **WARNING:** Only allow children to use the oven without supervision when adequate instructions have been given so that the child is able to use the oven in a safe way and understands the hazards of improper use.
6. To reduce the risk of fire in the oven cavity:
 - ✧ When heating food in plastic or paper container, check the oven frequently for the possibility of ignition.
 - ✧ Remove wire twist-ties from paper or plastic bags before placing them in the oven.
 - ✧ If smoke is observed, switch off or unplug the appliance and keep the door closed in order to stifle any flames.
 - ✧ Do not use the cavity for storage purposes. Do not leave paper products, cooking utensils or food in the cavity when not in use.
7. **WARNING:** Liquid or other food must not be heated in sealed containers since they are liable to explode.
8. Microwave heating of beverages can result in delayed eruptive boiling, therefore care has to be taken when handling the container.
9. Do not fry food in the oven. Hot oil can damage oven parts and utensils and even result in skin burns.
10. Eggs in their shell and whole hard-boiled eggs should not be heated in microwave ovens since they may explode even after microwave heating has ended.
11. Pierce foods with heavy skins such as potatoes, whole squashes, apples and chestnuts before cooking.
12. The contents of feeding bottles and baby jars should be stirred or shaken and the temperature should be checked before serving in order to avoid burns.
13. Cooking utensils may become hot because of heat transferred from the heated food. Potholders may be needed to handle the utensils.
14. Utensils should be checked to ensure that they are suitable for use in a microwave oven.
15. **WARNING:** It is hazardous for anyone other than a trained person to carry out any service or repair operation which involves the removal of any cover which gives protection against exposure to microwave energy.
16. This product is a Group 2 Class B ISM device. The definition of Group 2 which contains all ISM (Industrial, Scientific and Medical) equipment in which radio-frequency energy is intentionally generated and/or used in the form of electromagnetic radiation for the treatment of material, and spark erosion equipment. Class B equipment is equipment suitable for use in domestic establishments and in establishments directly connected to a low voltage power supply network which supplies buildings or RV's used for domestic purposes.
17. This appliance is not intended for use by persons (including children) with reduced physical, sensory or mental capabilities, or lack of experience and knowledge, unless

they have been given supervision or instruction concerning use of the appliance by a person responsible for their safety.

18. Children should be supervised to ensure that they do not play with the appliance.

SPECIFICATIONS

Power Consumption:	230-240V/50Hz, 1400W(Microwave)
Output:	900W
Operation Frequency:	2450MHz
Outside Dimensions:	281mm(H)×483mm(W)×399mm(D)
Oven Cavity Dimensions:	220mm(H)×340mm(W)×344mm(D)
Oven Capacity:	25Litres
Cooking Uniformity:	Turntable System
Net Weight:	Approx.13.9 kg

INSTALLATION

1. Make sure that all the packing materials are removed from the inside of the door.
2. **WARNING:** Check the oven for any damage, such as misaligned or bent door, damaged door seals and sealing surface, broken or loose door hinges and latches and dents inside the cavity or on the door. If there is any damage, do not operate the oven and contact qualified service personnel.
3. This microwave oven must be placed on a flat, stable surface to hold its weight and the heaviest food likely to be cooked in the oven.
4. Do not place the oven where heat, moisture, or high humidity are generated, or near combustible materials.
5. For correct operation, the oven must have sufficient airflow. Allow 10cm space above the oven, 10cm at back and 5cm at both sides. Do not cover or block any openings on the appliance. Do not remove feet.
6. Do not operate the oven without glass tray, roller support, and shaft in their proper positions.
7. Make sure that the power supply cord is undamaged and does not run under the oven or over any hot or sharp surface.
8. The socket must be readily accessible so that it can be easily unplugged in an emergency.
9. Do not use the oven outdoors.

RADIO INTERFERENCE

Operation of the microwave oven can cause interference to your radio, TV, or similar equipment.

When there is interference, it may be reduced or eliminated by taking the following measures:

1. Clean door and sealing surface of the oven.
2. Reorient the receiving antenna of radio or television.
3. Plug the microwave oven into a different outlet so that microwave oven and receiver are on different branch circuits.

MICROWAVE COOKING PRINCIPLES

1. Arrange food carefully. Place thickest areas towards outside of dish.
2. Evaluate the cooking time. Cook for the shortest amount of time indicated and add more as needed. Food severely overcooked can smoke or ignite.
3. Cover foods while cooking. Covers prevent spattering and help foods to cook evenly.
4. Turn foods over once during microwave cooking to speed cooking of such foods as chicken and hamburgers. Large items like roasts must be turned over at least once.
5. Rearrange foods such as meatballs halfway through cooking both from top to bottom and from the center of the dish to the outside.

GROUNDING INSTRUCTIONS

This appliance must be grounded. This oven is equipped with a cord having a grounding wire with a grounding plug. It must be plugged into a wall receptacle that is properly installed and grounded. In the event of an electrical short circuit, grounding reduces risk of electric shock by providing an escape wire for the electric current. Using a high voltage is dangerous and may result in a fire or other accident causing oven damage.

WARNING Improper use of the grounding plug can result in a risk of electric shock.

Note:

1. If you have any questions about the grounding or electrical instructions, consult a qualified electrician or service person.
2. The manufacturer cannot accept any liability for damage to the oven or personal injury resulting from failure to observe the electrical connection procedures.

BEFORE YOU CALL FOR SERVICE

If the oven fails to operate:

1. Check to ensure that the oven is plugged in securely. If it is not, remove the plug from the outlet, wait 10 seconds, and plug it in again securely.
2. Check for a blown circuit fuse or a tripped main circuit breaker. If these seem to be operating properly, test the outlet with another appliance.
3. Check to ensure that the control panel is programmed correctly and the timer is set.
4. Check to ensure that the door is securely closed engaging the door safety lock system. Otherwise, the microwave energy will not flow into the oven.

IF NONE OF THE ABOVE SOLUTIONS RECTIFIES THE SITUATION, THEN CONTACT CAMEC OR AN AUTHORISED CAMEC REPAIRER. DO NOT TRY TO ADJUST OR REPAIR THE OVEN YOURSELF.

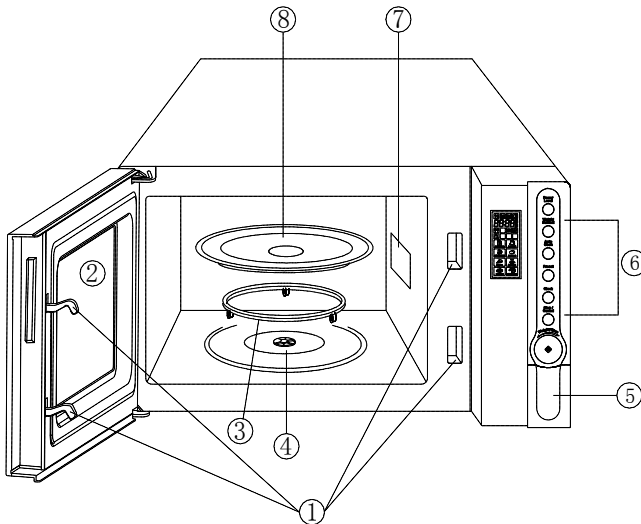
UTENSILS GUIDE

1. The ideal material for a microwave utensil is transparent to microwave, it allows energy to pass through the container and heat the food.
2. Microwaves cannot penetrate metal, so metal utensils or dishes with metallic trim should not be used.
3. Do not use recycled paper products when microwave cooking, as they may contain small metal fragments which may cause sparks and/or fires.
4. Round /oval dishes rather than square/oblong ones are recommend, as food in corners tends to overcook.
5. Narrow strips of aluminum foil may be used to prevent overcooking of exposed areas. But be careful don't use too much and keep a distance of 1 inch (2.54cm) between foil and cavity.

The list below is a general guide to help you select the correct utensils.

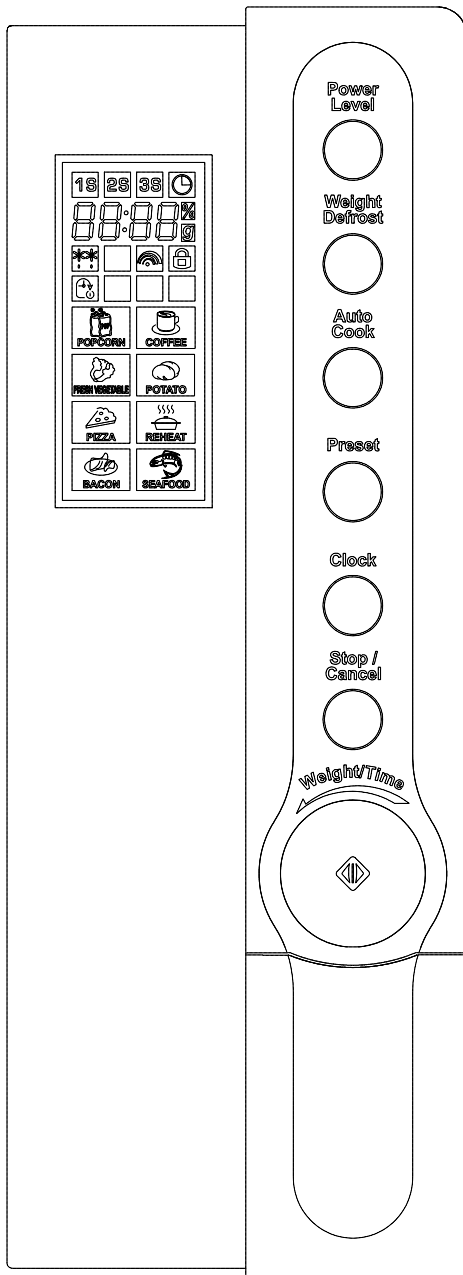
COOKWARE	MICROWAVE
Heat-Resistant Glass	Yes
Non Heat-Resistant Glass	No
Heat-Resistant Ceramics	Yes
Microwave-Safe Plastic Dish	Yes
Kitchen Paper	Yes
Metal Tray	No
Metal Rack	No
Aluminum Foil & Foil Containers	No

PART NAMES



1. Door Safety Lock System
2. Oven Window
3. Roller Ring
4. Shaft
5. Door Release Button
6. Control Panel
7. Wave Guide
8. Glass Tray

CONTROL PANEL



- **MENU ACTION SCREEN**
 - × Cooking time, power, action indicators, and clock time are displayed.
- **POWER LEVEL**
 - × Press this button a repeatedly to set microwave cooking power level.
- **WEIGHT DEFROST (EASY DEFROST)**
 - × Press to defrost food by weight.
- **AUTO COOK**
 - × Press for instant settings to cook popular food.
- **PRESET/TIMER**
 - × Press to set the preset function which allows you to put food into the oven and program it to start cooking at a later time.
- **CLOCK**
 - × Touch this button to start setting the oven clock and end by pressing it again.
- **STOP/CANCEL**
 - × Press to cancel setting or reset the oven before setting a cooking program.
 - × Press once to pause cooking, or twice to cancel cooking altogether.
 - × It is also used for setting child lock.
- **WEIGHT / TIME DIAL**
 - × Turn the dial to enter the oven clock time or input cooking time.
 - × Rotate to specify food weight or number of servings
- **START/QUICK START (WEIGHT/TIME BUTTON)**
 - × Press to start a cooking program.
 - × Press a number of times to begin express cooking without the need to set the power level and cooking time.

HOW TO OPERATE THE OVEN

BEEPS DURING OVEN SETTINGS

ONE BEEP: Command is accepted.

TWO BEEPS: Incorrect command. Check the function you want to use and try again.

SETTING DIGITAL CLOCK

With the oven ready for input, touch the CLOCK button once or twice to set the digital clock in either 12 or 24 hour mode.

Suppose you want to set the oven clock time to 8:30.

1. Press CLOCK button once or twice
2. Turn WEIGHT/TIME to indicate the hour digit 8.
3. Press CLOCK button.
4. Turn WEIGHT/TIME dial to indicate the minute digits until the screen shows 8: 30.
5. Press CLOCK to confirm the setting.

Note: To check clock time during cooking, press the CLOCK button once.

MICROWAVE COOKING

For standard microwave operation, the longest cooking time is 95 minutes.

You can select power level by pressing the POWER LEVEL button repeatedly:

Display	Cooking Power
100	100%
80	80%
60	60%
40	40%
20	20%
00	0%

Suppose you want to cook for 1 minute at 60% of microwave power.

1. Press POWER LEVEL button repeatedly to set cooking power.
2. Rotate WEIGHT/TIME to enter cooking time.
3. Press START/QUICK START button.

Note:

1. You can check the selected cooking power during cooking by pressing POWER LEVEL.
2. After total time has elapsed, the oven signals and End is displayed, press STOP/CANCEL or open the oven door to clear End before starting another cooking function.

EASY DEFROST

This oven can defrost food based on the weight of the food you enter on the microwave. The time and the defrost power are adjusted automatically once the weight is programmed. The food weight can range from 100g to 1800g.

Suppose you want to defrost 600g of meat.

1. Place the meat to be defrosted into the oven and close the door.
2. Press WEIGHT DEFROST button once.
3. Rotate WEIGHT/TIME dial to choose a weight - 600g.
4. Press START/QUICK START button.

Note: During defrosting process, the oven will pause to remind user to turn over food for uniform defrosting.

PRESET/TIMER

The Preset/Timer function allows the oven to start up in a later time. For example if the current time is 11:10 and you want the oven to start cooking at 11:30.

1. Set a cooking program.
2. Press PRESET button.
3. Rotate the WEIGHT/TIME dial to indicate the hour digit 11.

4. Press PRESET button.
5. Rotate the WEIGHT/TIME dial to indicate the minute digit 30.
6. Press PRESET button.

Note:

1. Make sure that the food is placed into the oven in advance before any cooking starts.
2. When set, you can confirm the preset time before the clock returns to the time display by pressing the PRESET button. To cancel preset feature, press PRESET and then STOP/CANCEL.
3. You can not operate the oven except for checking the preset time and setting/canceling the Child Lock when the preset feature is set. If the child lock is set, it will be cancelled automatically when it reaches the preset time.

QUICK START

This feature allows you to start the oven quickly. The longest cooking time is 10 minutes.

In standby mode, press the START/QUICK START button in quick succession to set the cooking time, the oven will start working at full power level automatically.

Note: During the cooking process, you can

extend the cooking time by pressing START/QUICK START.

MULTISTAGE COOKING

For best results, some recipes call for one cooking power for a certain length of time, and another cooking power for another length of time. Your oven can be set to change from one power to another automatically, for up to 3 cycles. To do this, follow steps below:

1. Press STOP/CANCEL pad to reset the system.
2. Select the Microwave-cooking program.
3. Select another microwave cooking program with a lower power level.
4. Touch START/QUICK START pad.

Note:

1. Quick start, Easy defrost and Auto cook can not be set in the multistage cooking mode.
2. After each program finishes, the buzzer will beep & display will show "DE-", signaling the beginning of the next cooking stage.
3. The respective lights will turn on to indicate which stage the oven is operating in. After the total time has elapsed, beeps will sound.

AUTO COOK

For food listed in the following table, it is not necessary to program the duration and the cooking power. All you need to do is select indicate the type of food that you wish to cook and its weight. You may need to turn over food half-way through cooking to ensure uniform cooking.

To use Auto Cook:

1. In standby mode, press the AUTO COOK button repeatedly to select corresponding food type.
2. Rotate WEIGHT/TIME dial to indicate food weight or number of servings.
3. Press START/QUICK START button to commence cooking.

Auto Cook Menu

Code	Food/cooking mode	
1	Popcorn(99g)	<ol style="list-style-type: none">1. For coffee and potato, parameters on display are not weight but the number of servings.2. For popcorn, there is only one choice.3. The final result of preparing food with auto cook depends on factors such as the shape and size of food, your personal preference as to how you like certain foods cooked and even how well you happen to place food in the oven. If you find the result rate not quite satisfactory, please adjust the cooking time accordingly.
2	Coffee(200ml/cup)	
3	Fresh Vegetables (g)	
4	Potato (230g/unit)	
5	Pizza (g)	
6	Reheat (g)	
7	Bacon (g)	
8	Seafood (g)	

CHILD LOCK

Use to prevent unsupervised operation of the oven by small children. When set, the child lock indicator will illuminate on the display screen, and the oven can not be operated while this is set.

To set: In standby (or preset) mode, press and hold the STOP/CANCEL button for 3 seconds, a beep sounds and lock indicator lights.

To cancel: Press and hold the STOP/CANCEL button for 3 seconds until lock indicator light on the display goes off.

CLEANING AND CARE

1. When using the microwave in a caravan or RV, please remove and store the glass tray and roller ring in a safe location while the vehicle is in transit.
2. Turn off the oven and remove the power plug from the wall socket before cleaning.
3. Keep the inside of the oven clean. When food splatters or spilled liquids adhere to the oven walls, wipe with a damp cloth. Mild detergent may be used if the oven gets very dirty. Avoid the use of spray and other harsh cleaners as they may stain, streak or dull the door surface.
4. The outside surfaces should be cleaned with a damp cloth. To prevent damage to the operating parts inside the oven, water should not be allowed to seep into the ventilation openings.
5. Wipe the both sides of the door and window, the door seals and adjacent parts frequently with a damp cloth to remove any spills or spatters. Do not use abrasive cleaner.
6. Do not allow the control panel to become wet. Clean with a soft, damp cloth. When cleaning the control panel, leave oven door open to prevent oven from accidentally turning on.
7. If steam accumulates inside or around the outside of the oven door, wipe with a soft cloth. This may occur when the microwave oven is operated under high humidity conditions, and is normal.
8. It is occasionally necessary to remove the glass tray for cleaning. Wash the tray in warm soapy water or in a dishwasher.
9. The roller ring and oven floor should be cleaned regularly to avoid excessive noise. Simply wipe the bottom surface of the oven with mild detergent. The roller ring may be washed in mild soapy water or a dishwasher. After removing the roller ring from cavity floor for cleaning, be sure to re-install it in the proper position.
10. To remove odors from your oven, you can combine a cup of water with the juice and skin of one lemon in a deep microwaveable bowl and microwave for 5 minutes. Wipe thoroughly and dry with a soft cloth afterwards.
11. If it is necessary to replace the oven light, please consult a dealer to have it replaced.
12. The oven should be cleaned regularly and any food deposits removed. Failure to maintain the oven in a clean condition could lead to deterioration of the surface that could adversely affect the life of the appliance and possibly result in a hazardous situation.
13. Please do not dispose this appliance in a domestic rubbish bin. It should be disposed of at a disposal center provided by the municipalities.

Warranty

1.0 Definitions

The terms listed below shall have the following meaning (depending on location):

- a) **Camec** means Camec Pty Ltd (ABN 35 00484 6584) of,
47-63 Remington Drive,
Dandenong South, Victoria 3175
Australia

Or

Camec New Zealand of,
Airport Business Centre
44 Montgomerie Road
Mangere,
New Zealand

- b) **Consumer** means a natural person.
- c) **Product** means the goods or services supplied by Camec, purchased by the Consumer.
- d) **Third Party Supplier** means the company who supplied the Product to or performed a service on behalf of Camec.
- e) **CRVS** means a business appointed under Camec's Recreational Vehicle Specialist (CRVS) Program to resell the Product.
- f) **Reseller** means a business authorised to resell Products purchased from Camec.
- g) **Service Life Product** is a Product that has a definitive life and requires replacing as defined in the service and maintenance manual to ensure the Product can continue to function as designed.

2.0 Terms of Warranty

Where Camec or its Third Party Supplier offers a warranty, subject to the exclusions and limitations below;

2.1 Camec warrants that the Product will be supplied free from defects in materials and workmanship, unless otherwise specified and is of acceptable quality.

2.2 Camec warrants the Product will match and perform as stated on the packaging or its website www.camec.com.au / www.camec.co.nz for the period of the warranty detailed,

from the date of purchase.

2.3 Where the Product failed to perform within 7 days of purchase Camec will;

- a) Replace the Product free of charge.

2.4 Where the Product failed to perform within the period of the warranty Camec will;

- a) Replace the Product free of charge or,
- b) Repair the Product or the defective part of the Product free of charge.

2.5 Camec reserves the right to replace defective parts of the Product with parts and components of similar quality, grade or composition where an identical part or component is not available.

2.6 This Warranty is in addition to any warranties mandated by Australian Competition and Consumer Laws. Nothing in this Warranty is to be interpreted as excluding, restricting or modifying such warranties as required under Regulation 90 of the Competition and Consumer Regulations 2010.

'Our goods come with guarantees that cannot be excluded under the Australian Consumer Law. You are entitled to a replacement or refund for a major failure and compensation for any other reasonably foreseeable loss or damage. You are also entitled to have the goods repaired or replaced if the goods fail to be of acceptable quality and the failure does not amount to a major failure.'

For a more comprehensive understanding of your rights under this legislation visit the following link:

http://www.consumerlaw.gov.au/content/the_acl/downloads/consumer_guarantees_guide.pdf

3.0 Exclusions

3.1 The Warranty does not apply where:

- a) Products re-sold by a CRVS or Reseller, other than a consumer.
- b) The Product was assigned by the Consumer or transformed into to a product to be on-sold.
- c) Service life Products that are fitted and not replaced according to schedule as detailed in the service and maintenance manual.
- d) The Product has been improperly;
 - i. Installed.
 - ii. Maintained or cared for.

- iii. Modified.
 - iv. Repaired.
 - v. Operated.
- e) The Product has been damaged.
 - f) Camec cannot establish any fault in the Product after testing.
 - g) The Product has been used other than for the purpose for which it was designed.
 - h) The Product has been subject to abnormal conditions, including but not limited to temperature, pressure, stress, load or similar.
 - i) The Consumer, CRVS, Reseller or Third Party Supplier has used or fitted non-genuine or non-approved parts and accessories to the Product that have had a detrimental effect on its performance.

4.0 Limitations

4.1 Camec makes no warranties or representations other than those set out in this Warranty.

4.2 Excluding Products inspected prior to purchase by the Consumer and deemed acceptable, where a Product was received damaged, the goods must be returned to Camec, CRVS or Reseller within 7 days for warranty purposes.

4.3 Camec will not be liable:-

- a) To the Consumer or any other entity for any consequential, direct or indirect loss, damage or costs incurred or suffered by the Consumer or any other entity, including but not limited to damage to persons, property, loss of turnover, loss of profits, loss of business or goodwill.
- b) To the Consumer or any other entity for any costs associated with any testing or repair of the Product or any goods to which it is fitted by a Third Party Supplier, CRVS or Reseller in relation to any defect.
- c) For damage or defects in any Product caused by improper transportation, storage or any other misuse, neglect or accident.
- d) For any incorrect advice provided by a Third Party Supplier, CRVS, or Reseller, that caused the Consumer to install and use the Product in an application it was not designed for.

4.4 Camec is not responsible for the installation of the Product. Any fault or defect due to installation should be referred to the relevant Third Party Supplier, CRVS, or Reseller. The Product must be installed in accordance with the Manufacturer instructions and any relevant legislation or code.

5.0 Warranty Claims

5.1 Consumers should contact the CRVS or Reseller the Product was purchased from or the Third Party Supplier the service or installation was performed by.

5.2 For Products purchased directly from Camec contact either;

- a) Phone 1300 654 936 (Aus) or 09 257 2419 (NZ)**
- b) Fax 03 9799 4476 (Aus) or 09 255 1910 (NZ)**
- c) Email service@camec.com.au or service@camec.co.nz**

5.3 Any Warranty claim from the Consumer must be accompanied by.

- a) Proof of purchase; (receipt or invoice identifying the Product, date of purchase and purchase price).
- b) Return of Product to the place of purchase, unless otherwise advised.
- c) Details of the alleged defect.
- d) Where applicable, evidence of maintenance performed in accordance with the relevant maintenance schedules.

5.4 The cost of removal, installation, delivery and insurance of the Product to and from Camec for warranty purposes are the responsibility of the Consumer, unless otherwise advised.

5.5 Where it is deemed the Product does not have a fault, the Consumer will be charged for testing the Product.