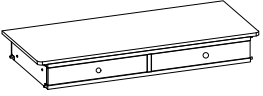
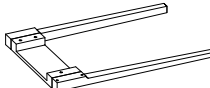


D.I.DESIGNS





ASSEMBLY INSTRUCTIONS

Product: Abberley Desk 2D

PARTS LIST

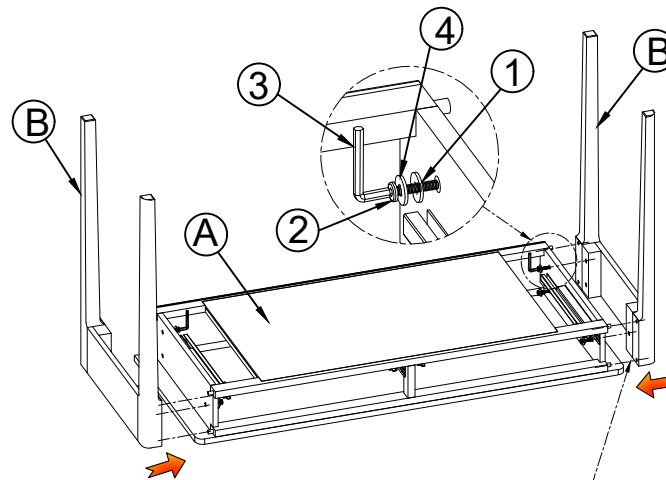
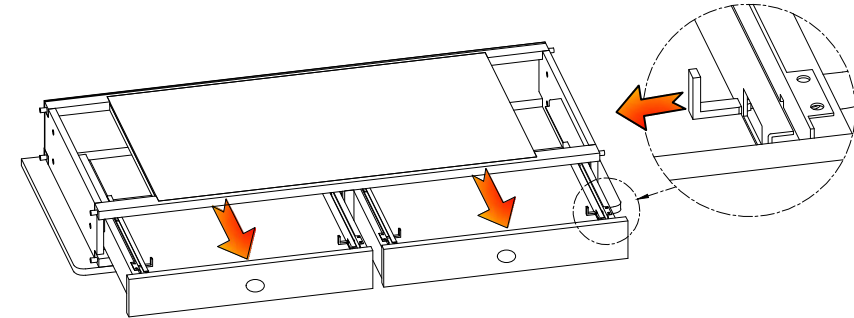
No	Drawing	Description	Qty
A		Top frame	01
B		Legs frame 1L&1R	

HARDWARE LIST

1		Flat washer	06
2		Allen bolt M8X35mm	06
3		Allen key M4	01
4		Spring washer	06

STEP 1: REMOVE SOFT-CLOSE DRAWERS

- Pull out the drawers
- Pull out the plastic latch of the metal runners then remove the drawers



STEP 2: ATTACH ASSEMBLE LEGS FRAME TO TOP FRAME

- Secure link legs frame (B) to top frame (A) with allen bolt (2) and spring washer (4) & flat washer (1) use allen key (3) provided.

Note: Locate wood dowel to holes without thread

STEP 3: ASSEMBLE DRAWERS IN DESK

- Pull out the rail as far as possible
- Place Drawer on the rail
- Push the cabinet rails on the way into the Drawer rails
- Push the Drawer to make sure it glides smoothly
- Lock the latch

CAREFULLY FLIP THE TABLE RIGHT SIDE UP

