




PROFESSIONAL
BRAKE SYSTEM

2019-2020





Logan Bicycle Parts Co., Ltd. Is a specialty manufacturer of bicycle brake system. The company introduces the advanced technology and management system in recent years and a production team is shaped in which, the professional research engineers and technicians with rich practical experiences play the key role. The product quality is improved and the company brand is set up. The company strictly carries out ISO quality management system and manufactures the products in accordance with international trade standard. The company holds its own intellectual property and has been entitled to engage in the import and export business in China. The company upholds the purpose of "artistic look, reliable performance, rational price and sincere service" to provide service to worldwide customers. The products sell well in Europe and America. The product liability insurance has been insured by PICC. The products has passed European EN standard certification. Under the operating policy of "Be human-orientated, realistic and keep forging ahead for lasting operation and development together", the company perfects and elevates itself and it is the target that the company seeks for to manufacture the products to satisfy customers. Both domestic and abroad customers are sincerely welcomed for business negotiation and your advice is highly appreciated.

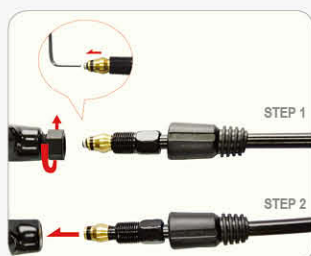
NEW



4P



Whith Compatile with any shifting



HD-M600

SYSTEM

Open system, 4Piston or 2Piston
High power and controllable braking
Easy installation, adjustment and maintenance

CALIPER

Forged aluminum body
Automatic caliper positioning via front and rear adapters
Finish :Black

WEIGHT

Front wheel: 300 grams/wheel
Rear wheel: 310 grams/wheel
(Excludes rotor, adapter & mounting bolts)

ROTOR

Wave type: 1282S
Diameter: Ø160mm
Weight: 104 grams

LEVER

Cast aluminum lever & bracket
Two pieces hinged bracket
HD-M620 2FINGER
HD-M600 2.5FINGER
Finish: Black

PADS

Easy replacement
Organic compound





Whith Compatile with any shifting



After market

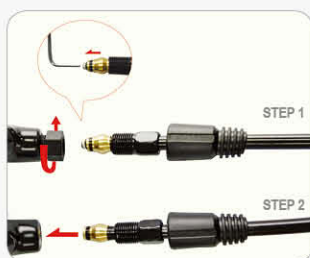


HD-M500

Brake lever
Melt forged bracket
3 finger design
Caliper
Compact 2-PCS design caliper
Dual piston
Forged aluminum alloy caliper body
Compatible with DEORE pad(P08)
Fluid: Non-Corrosive mineral oil
Disc rotor:1282S
Standard rotor size :ø160mm(Front ,Rear)
Compatible with Post-Mount /IS
Weight: 365g/350g (Caliper/Hose/Brake lever)



Whith Compatile with any shifting



HD-M220

Brake lever
Melt forged bracket
2 finger design
Caliper
Compact 2-PCS design caliper
Dual piston
Forged aluminum alloy caliper body
Compatible with DEORE pad(P08)
Fluid: Non-Corrosive mineral oil
Disc rotor:282S
Standard rotor size :ø160mm(Front ,Rear)
Compatible with Post-Mount /IS
Weight: 355g/340g (Caliper/Hose/Brake lever)



After market



LB-DX2005

Melt forged aluminum mechanical disc brake
 Aluminum alloy caliper
 For F160/R140mm
 For F180/R160mm
 W/return spring & metallic compound pads
 Easy installation and low maintenance
 Weight 193g/wheel
 Inner Floating Adjusted



LB-DX2012

Melt forged aluminum mechanical disc brake
 Aluminum alloy caliper
 For F160/R140mm
 For F180/R160mm
 W/return spring & metallic compound pads
 Easy installation and low maintenance
 Weight 209g/wheel



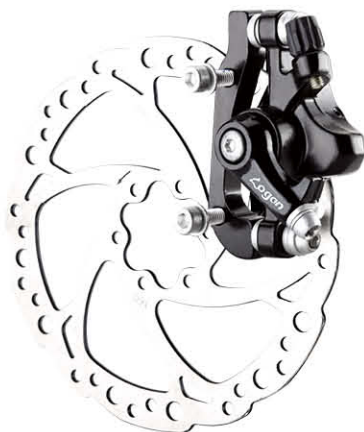
LB-DX2013

Melt forged aluminum mechanical disc brake
 Aluminum alloy caliper
 For F160/R140mm
 For F180/R160mm
 W/return spring & metallic compound pads
 Easy installation and low maintenance
 Weight 254g/wheel
 Inner Floating Adjusted



LB-DX2018

Melt forged aluminum mechanical disc brake
 Aluminum alloy caliper
 For F160/R140mm
 For F180/R160mm
 W/return spring & metallic compound pads
 Easy installation and low maintenance
 Weight 204g/wheel



LB-DX2018-10

Melt forged aluminum mechanical disc brake
 Aluminum alloy caliper
 For F160/R140mm
 For F180/R160mm
 W/return spring & metallic compound pads
 Easy installation and low maintenance
 Weight 204g/wheel



LB-DX2019

Melt forged aluminum mechanical disc brake
 Aluminum alloy caliper
 For F160/R140mm
 For F180/R160mm
 W/return spring & metallic compound pads
 Easy installation and low maintenance
 Weight 254g/wheel
 Inner Floating Adjusted

**LL-320D**

Melt forged aluminum bracket and lever
 Return spring
 Suitable for thumb shift
 2.0 finger lever
 Standard finish: black bracket and silver lever
 Weight: 91g/PC

**LL-320DG/C**

Melt forged aluminum bracket and lever
 Return spring
 Suitable for Twist shifter
 2.0 finger lever
 Standard finish: black bracket and silver lever
 Weight: 89g/PC
 LL-320C: Resin bracket and Melt forged aluminum lever

**LL-321D**

Melt forged aluminum bracket and lever
 Return spring
 Suitable for thumb shift
 3.0 finger lever
 Standard finish: black bracket and silver lever
 Weight: 94g/PC

**LL-321DG/C**

Melt forged aluminum bracket and lever
 Return spring
 Suitable for Twist shifter
 3.0 finger lever
 Standard finish: black bracket and silver lever
 Weight: 92g/PC
 LL-333C: Resin bracket and Melt forged aluminum lever



LL-510DG

Melt forged aluminum bracket and lever
 Return spring
 Suitable for thumb shift
 4.0 finger lever
 Standard finish:black bracket and silver lever
 Weight:90g/PC



LL-302D/C

Melt forged aluminum bracket and lever
 Return spring
 Suitable for thumb shift
 2.0 finger lever
 Standard finish:black bracket and silver lever
 Weight:72g/PC
 LL-302C: Resin bracket and Melt forged aluminum lever



LL-303D/C

Melt forged aluminum bracket and lever
 Return spring
 Suitable for thumb shift
 3.0 finger lever
 Standard finish:black bracket and silver lever
 Weight:89g/PC
 LL-303C: Resin bracket and Melt forged aluminum lever



LL-304D/C

Melt forged aluminum bracket and lever
 Return spring
 Suitable for thumb shift
 3.0 finger lever
 Standard finish:black bracket and silver lever
 Weight:77g/PC
 LL-304C: Resin bracket and Melt forged aluminum lever

**LL-420D**

Melt forged aluminum bracket and lever
 Return spring
 Suitable for thumb shift
 3.0 finger lever
 Standard finish: black bracket and silver lever
 Weight: 88g/PC

**LL-420DG**

Melt forged aluminum bracket and lever
 Return spring
 Suitable for Twist shifter
 3.0 finger lever
 Standard finish: black bracket and silver lever
 Weight: 92g/PC
 LL-333C: Resin bracket and Melt forged aluminum lever

**LL-306D**

Melt forged aluminum bracket and lever
 Return spring
 Suitable for thumb shift
 3.0 finger lever
 Standard finish: black bracket and silver lever
 Weight: 88g/PC

**LL-307D**

Melt forged aluminum bracket and lever
 Return spring
 Suitable for thumb shift
 4.0 finger lever
 Standard finish: black bracket and silver lever
 Weight: 95g/PC



LL-335DG/C

Melt forged aluminum bracket and lever
 Return spring
 Suitable for Twist shifter
 3.0 finger lever
 Standard finish:black bracket and silver lever
 Weight:87.5g/PC
 LL-336C: Resin bracket and Melt forged aluminum lever



LL-360D

Melt forged aluminum bracket and lever
 Return spring
 Suitable for Twist shifter
 2.5 finger lever
 Standard finish:black bracket and silver lever
 Weight:85g/PC



LL-305D/C

Melt forged aluminum bracket and lever
 Return spring
 Suitable for thumb shift
 3.0 finger lever
 Standard finish:black bracket and silver lever
 Weight:99g/PC
 LL-305C: Resin bracket and Melt forged aluminum lever



LL-344DG

Melt forged aluminum bracket and lever
 Return spring
 Suitable for Twist shifter
 3.0 finger lever
 Standard finish:black bracket and silver lever
 Weight:87.5g/PC

**LL-116D**

Melt forged aluminum bracket and lever
 Return spring
 Suitable for thumb shift
 4.0 finger lever
 Standard finish: black bracket and silver lever
 Weight: 90g/PC

**LL-118DG**

Melt forged aluminum bracket and lever
 Suitable for thumb shift
 3.0 finger lever
 Standard finish: black bracket and silver lever
 Weight: 83g/PC

**LL-401DGT**

Melt forged aluminum bracket and lever
 4.0 finger lever with kraton rubber grip
 Suitable for thumb shift and Twist shifter
 4.0 finger lever
 Standard finish: black or silver
 Weight: 120g/PC

**LL-48DG/C**

Melt forged aluminum bracket and lever
 Return spring
 Suitable for Twist shifter
 4.0 finger lever
 Standard finish: black bracket and silver lever
 Weight: 89g/PC
 LL-48C: Resin bracket and Melt forged aluminum lever



LB-480D

Lightweight design
 New mechanical ratio
 Dual pivot caliper brake
 Melt forged aluminum arm
 Quick release mechanism
 Standard pads:55mm adjustable angle pads
 Dimension:41-55mm
 Standard finish:black or silver
 Weight:182g/wheel



LB-550D

Lightweight design
 Melt forged aluminum arm
 Single pivot caliper
 Standard pads:55mm regular pads
 Dimension:48-65mm
 Standard finish:black or silver
 Weight:191g/wheel



LL-702D

Ergonomic and lightweight design
 Top mount lever
 Melt forged aluminum bracket and lever
 For use with caliper or canti brakes
 Hinged clamp style
 Reach adjustment and return spring
 For use with 22.2mm OD handlebars
 Standard finish:black bracket and silver lever
 Weight:51g/PC



LL-750D

Quick release mechanism
 Ergonomic and lightweight design
 Melt forged aluminum lever and comfortable bracket
 Quick release mechanism
 For use with linear pull brakes
 Standard finish: Silver or black lever an black rubber hood
 Weight:84g/PC

**LB-520D**

Lightweight design
 New mechanical ratio
 Dual pivot caliper brake
 Melt forged aluminum arm
 Quick release mechanism
 Standard pads:55mm adjustable angle pads
 Dimension:47-57mm
 Standard finish:black or silver
 Weight:185g/wheel

**LB-480D-H**

Lightweight design
 New mechanical ratio
 Dual pivot caliper brake
 Melt forged aluminum arm
 Quick release mechanism
 Standard pads:55mm adjustable angle pads
 Dimension:41-55mm
 Standard finish:black or silver
 Weight:182g/wheel

**LL-480D**

For Flat road bicycle design
 Return spring
 3.0 finger lever
 Standard finish:black bracket and silver lever
 Weight:80g/PC





Which Compatible with any shifting

Compatible with DEORE pad(P08)
 Fluid: Non-Corrosive mineral oil
 Disc rotor:MK02
 Standard rotor size :ø160mm(Front ,Rear)
 Compatible with Post-Mount /IS
 Weight: 360g/345g (Caliper/Hose/Brake lever)



HD-E500

Brake lever
 Cast aluminum bracket
 3 finger design
 Caliper
 Compact 2-PCS design caliper
 Dual piston
 Forged aluminum alloy caliper body
 Compatible with DEORE pad(P08)
 Fluid: Non-Corrosive mineral oil
 Disc rotor:YRT-03
 Standard rotor size :ø160mm(Front ,Rear)
 Compatible with Post-Mount /IS
 Weight: 365g/350g (Caliper/Hose/Brake lever)



LL-E404D

Integrated bell design
 Designed specifically for women
 Adjustable sensor control designed
 Melt forged aluminum bracket and lever
 Suitable for thumb shift
 For left hand side only
 4.0 finger lever
 For use with linear pull brakes
 Standard finish:black or silver
 Weight:160g/pc



LL-E402DG

Mechanical switch designed
 Melt forged aluminum bracket and lever
 Return spring
 Suitable for thumb shift and Twist shifter
 4.0 finger lever
 Standard finish:black or silver
 Weight:125g/pc



LL-E403DG

Mechanical switch designed
 Melt forged aluminum bracket and lever
 Return spring
 Suitable for thumb shift and Twist shifter
 4.0 finger lever
 Standard finish: black or silver
 Weight: 120g/pc



LL-E401DGT

Sensor control designed
 Melt forged aluminum bracket and lever
 4.0 finger lever with kraton rubber grip
 Suitable for thumb shift and Twist shifter
 4.0 finger lever
 Standard finish: black or silver
 Weight: 120g/pc





LL-251P

Design for junior
 Resin bracket and lever
 Return spring
 Suitable for Twist shifter
 2.0 finger lever
 Standard finish:black bracket and lever
 Weight:71g/PC



LL-252P

Design for junior
 Resin bracket and lever
 Return spring
 Suitable for Twist shifter
 2.0 finger lever
 Standard finish:black bracket and lever
 Weight:71g/PC



LL-421PAE

Finger-safe design for kid
 Resin bracket and Melt forged aluminum lever
 Suitable for thumb shift
 2.0 finger lever
 Standard finish:black bracket and lever
 Weight:71g/PC



LL-139P

LL-139PAE

Finger-safe design for kid
 Resin bracket and Melt forged aluminum lever
 Suitable for thumb shift
 2.0 finger lever
 Standard finish:black bracket and lever
 Weight:71g/PC

**LL-338P**

Design for junior
Resin bracket and lever
Return spring
Suitable for Twist shifter
2.0 finger lever
Standard finish:black bracket and lever
Weight:88g/PC

**LL-338PAE**

Design for junior
Resin bracket and Melt forged aluminum lever
Return spring
Suitable for Twist shifter
2.0 finger lever
Standard finish:black bracket and silver lever
Weight:85g/PC

**LL-329AE**

Design for junior
Melt forged aluminum bracket and lever
Return spring
Suitable for Twist shifter
3.0 finger lever
Standard finish:black bracket and silver lever
Weight:85g/PC

**LL-396P**

Resin bracket and lever
Return spring
Suitable for thumb shift
3.0 finger lever
Standard finish:black bracket and lever
Weight:64g/PC



LL-137P

Finger-safe design for kid
 Resin bracket and lever
 Suitable for thumb shift
 3.0 finger lever
 Standard finish:black bracket and lever
 Weight:58g/PC



LL-250P

Design for junior
 Resin bracket and lever
 Return spring
 Suitable for Twist shifter
 2.0 finger lever
 Standard finish:black bracket and lever
 Weight:73g/PC



**LB-995DG**

Lightweight design melt forged aluminum arm
 Linear spring tension adjustment
 Arm length: 95mm
 Dimension: 20.5-37.5mm
 Standard pads: 60mm EN
 Standard finish: black or silver
 Weight: 157g/wheel
 DK: Plastic adjustment
 DS: Steel adjustment
 DG: Aluminum adjustment

**LB-903DG**

Lightweight design melt forged aluminum arm
 Linear spring tension adjustment
 Arm length: 103mm
 Dimension: 21-34.5mm
 Standard pads: 60mm EN
 Standard finish: black or silver
 Weight: 157g/wheel
 DK: Plastic adjustment
 DS: Steel adjustment
 DG: Aluminum adjustment

**LB-946DS**

Lightweight design melt forged aluminum arm
 Linear spring tension adjustment
 Arm length: 110mm
 Dimension: 20.5-37.5mm
 Standard pads: 60mm EN
 Standard finish: black or silver
 Weight: 157g/wheel
 DK: Plastic adjustment
 DS: Steel adjustment
 DG: Aluminum adjustment

**LB-910DG**

Lightweight design melt forged aluminum arm
 Linear spring tension adjustment
 Arm length: 110mm
 Dimension: 22-37mm
 Standard pads: 60mm EN
 Standard finish: black or silver
 Weight: 159g/wheel
 DK: Plastic adjustment
 DS: Steel adjustment
 DG: Aluminum adjustment



LB-901DG

Lightweight design melt forged aluminum arm
 Linear spring tension adjustment
 Arm length: 110mm
 Dimension: 22-37mm
 Standard pads: 60mm EN
 Standard finish: black or silver
 Weight: 165g/wheel
 DK: Plastic adjustment
 DS: Steel adjustment
 DG: Aluminum adjustment



LB-993DG

Lightweight design melt forged aluminum arm
 Linear spring tension adjustment
 Arm length: 110mm
 Dimension: 20.5-38.5mm
 Standard pads: 60mm EN
 Standard finish: black or silver
 Weight: 164g/wheel
 DK: Plastic adjustment
 DS: Steel adjustment
 DG: Aluminum adjustment



LB-993DG-R

Lightweight design melt forged aluminum arm
 Linear spring tension adjustment
 Arm length: 110mm
 Dimension: 20.5-38.5mm
 Standard pads: 60mm EN
 Standard finish: black or silver
 Weight: 164g/wheel
 DK: Plastic adjustment
 DS: Steel adjustment
 DG: Aluminum adjustment



LB-915DG

Lightweight design melt forged aluminum arm
 Linear spring tension adjustment
 Arm length: 115mm
 Dimension: 20.5-38.5mm
 Standard pads: 60mm EN
 Standard finish: black or silver
 Weight: 174g/wheel
 DK: Plastic adjustment
 DS: Steel adjustment
 DG: Aluminum adjustment



LB-920DG

Lightweight design melt forged aluminum arm
 Linear spring tension adjustment
 Arm length: 120mm
 Dimension: 20.5-38.5mm
 Standard pads: 60mm EN
 Standard finish: black or silver
 Weight: 180g/wheel
 DK: Plastic adjustment
 DS: Steel adjustment
 DG: Aluminum adjustment

LB-875D

Low profile design
 Melt forged aluminum arm
 dual micro tension adjusters
 Arm length: 64mm
 Standard pads: 60mm EN
 Dimension: 23-37mm
 Standard finish: black or silver
 Weight: 155g/wheel





LL-U275D

Die-cast Alloy Bracket and Lever
2.5finger length for side pull/u-type
brake

Packing: 100PRS/CTN 18/17kgs
Meas: 46 x 27 x 32cm



LB-U940D

Low profile design
Melt forged aluminum arm
Coil spring and dual spring tension adjustment
Standard pads: 60mm EN
Dimension:26-51mm
Standard finish:black or silver
Weight:172g/wheel



**LB-770D**

Lightweight design
 Melt forged aluminum arm
 Single pivot caliper
 Standard pads:55mm regular pads
 Dimension:60-80mm
 Standard finish:black or silver
 Weight:190g/wheel

**LB-790D**

Lightweight design
 Melt forged aluminum arm
 Single pivot caliper
 Standard pads:55mm regular pads
 Dimension:68-90mm
 Standard finish:black or silver
 Weight:189g/wheel

**LB-820D**

Lightweight design
 Melt forged aluminum arm
 Single pivot caliper
 Standard pads:55mm regular pads
 Dimension:70-95mm
 Standard finish:black or silver
 Weight:185g/wheel

**LB-700D**

Lightweight design
 Melt forged aluminum arm
 Single pivot caliper
 Standard pads:55mm regular pads
 Dimension:46-60mm
 Standard finish:black or silver
 Weight:150g/wheel



MK01

Popular wave
 Stiffness, high heated finish
 Thickness: 2.0mm
 Diameter: 140mm, 160mm, 180mm, 203mm
 Weight: 150grams



MK1282S

Light wave
 Stiffness, high heated finish
 Thickness: 2.0mm
 Diameter: 160mm, 180mm
 Weight: 120grams



MK03

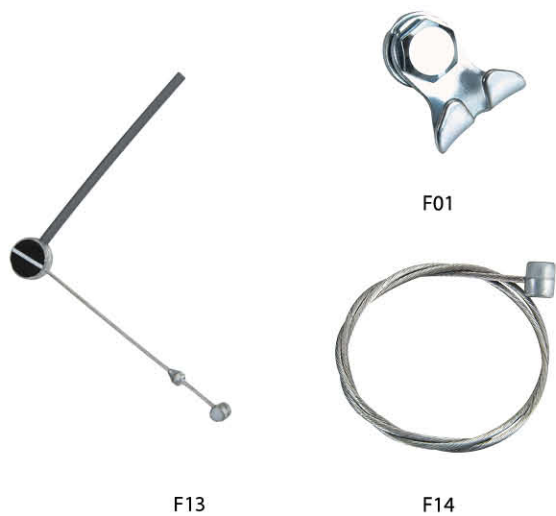
Hot escape
 Stiffness, high heated finish
 Thickness: 2.0mm
 Diameter: 160mm
 Weight: 120grams



MK05

Popular wave
 Stiffness, high heated finish
 Thickness: 2.0mm
 Diameter: 160mm
 Weight: 150grams

■ Pads for Disc Brake



AFTER MARKET



A-70



A-53-1



A-53-2



A-53-3



A-53



T1



T2



X40



X70



X60



X60



X55-1



X55



X45

Repair Kit 维修工具箱

适用于SHIMANO TEKTRO 豪星油碟 C. SPARK X SPARK HERCULES等

注射器	Syringe x 2
塑胶管	Plastic tubing x 2
挡块1	Link Stopper 1
挡块2	Link Stopper 2
入油接头带O型环	Plastic inserts with o-ring x 3
矿物油50ml	Mineral oil 50ml x 1
T10扳手	T10 Wrench x 1
T15扳手	T15 Wrench x 1
M3扳手	M3 Wrench x 1
M2.5扳手	M2.5 Wrench x 1
8mm开口扳手	Open end Wrench of 8mm x 1





Adapter Instruction Chart 碟刹卡钳主体转换座

NOTE:F:Standard front /R:Standard rear fork/P.S:Post mount fork/None:available currently

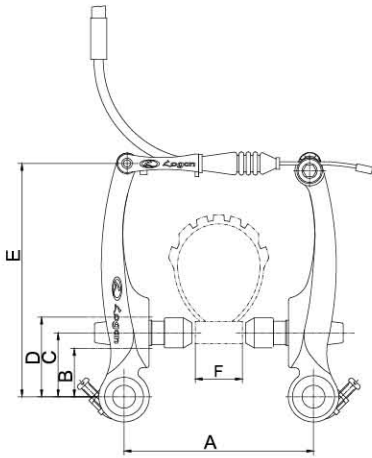
备注:"F" 标准前叉;"R" 标准后叉;"P.S" Post Mount前叉;"-" 暂无适用



Hose /Hose Parts 油管及配件

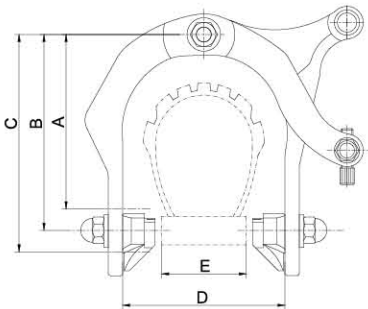


ROTOR SIZE 碟盘尺寸	F 标准前叉	R 标准后叉	P.S POST MOUNT前叉
Ø140mm	M-3	M-4 M-7	-
Ø160mm	M-4 M-7	M-1 M-8	-
Ø180mm	M-1 M-8	M-5	M-2
Ø203mm	M-5	-	M-6



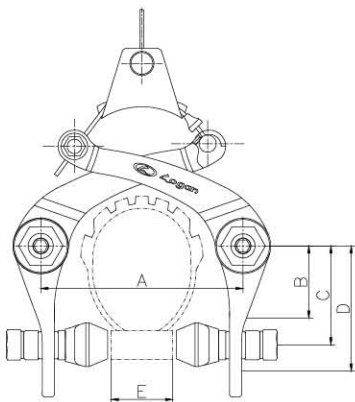
LINEAR PULL BRAKE

ITEM NO.	DIMENSION						WEIGHT(g)
	A(mm)	B(mm)	C(mm)	D(mm)	E(mm)	F(mm)	
LB-875D	81±1	23	30	37	64	22±1	155
LB-995DK/DS/DG	81±1	20.5	29	37.5	95	22±1	157
LB-903DK/DS/DG	81±1	21	27.5	34.5	103	22±1	157
LB-910DK/DS/DG	81±1	22	29.5	37	110	22±1	159
LB-901DK/DS/DG	81±1	22	29.5	37	110	22±1	165
LB-946DS	81±1	21	29	37	110	22±1	185
LB-993DK/DS/DG	81±1	20.5	29.5	38.5	110	22±1	164
LB-915DK/DS/DG	81±1	20.5	29.5	38.5	115	22±1	174
LB-920DK/DS/DG	81±1	20.5	29.5	38.5	120	22±1	180



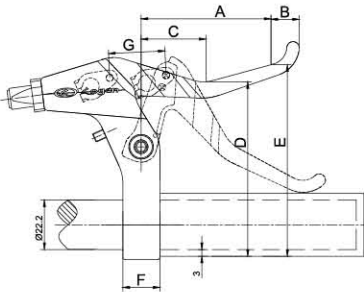
ROAD AND SIDE PULL CALIPER

ITEM NO.	DIMENSION					WEIGHT(g)
	A(mm)	B(mm)	C(mm)	D(mm)	E(mm)	
LB-480D	41	48	55	53	20±1	182
LB-520D	47	52	57	53	20±1	185
LB-550D	48	56.5	65	51	20±1	191
LB-700D	46	53	60	53	20±1	150
LB-770D	60	70	80	61	30±1	190
LB-790D	68	79	90	68	30±1	189
LB-820D	70	82.5	95	68	30±1	185



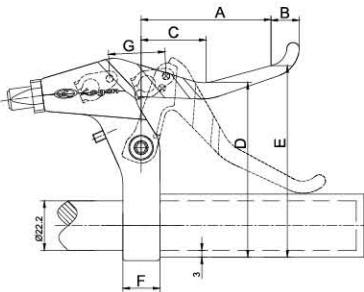
U-BRAKE

ITEM NO.	DIMENSION					WEIGHT(g)
	A(mm)	B(mm)	C(mm)	D(mm)	E(mm)	
LB-U940D	86±1	26	38.5	51	30	172



MTB LEVER

ITEM NO.	DIMENSION							WEIGHT(g)	FINGER LENGTH
	A(mm)	B(mm)	C(mm)	D(mm)	E(mm)	F(mm)	G(mm)		
LL-302D/C	65.3	12.7	32.6	77	87	15.5	22.5	72	2.0
LL-303D/C	82	12.7	41	84	93	15.5	23	89	3.0
LL-304D/C	75	12.7	37.5	80	90.5	15.5	21	77	3.0
LL-305D/C	62	12.7	31	84.5	99	17.5	29	99	3.0
LL-320D	58.5	12.7	29.3	78.3	86	16.5	26	91	2.0
LL-320DG/C	58.5	12.7	29.3	78.3	86	15.5	26	89	2.0
LL-321D	76	12.7	38	80	94.5	16.5	24	94	3.0
LL-321DG/C	76	12.7	38	80	94.5	15.5	24	92	3.0
LL-306D	67	12.7	33.5	79	94	15	25.5	88	3.0
LL-307D	81	12.7	40.5	82	96.5	15	23	95	3.0
LL-510DG	72.1	12.7	36	70.4	78.3	15	19.5	90	4.0
LL-360D	60.3	12.7	30.15	82.8	95	16	25	90	2.5
LL-344DG	84	12.7	42	90	98	15.5	26	93	4.0
LL-420D	66.4	12.7	33.2	72	84	16.5	21.5	105	3.0
LL-420DG	66.4	12.7	33.2	72	84	16.5	21.5	105	3.0
LL-401DGT	86	12.7	43	82	94.7	17	24	120	4.0
LL-48DG/C	83	12.7	41.5	88	103	16	22	125	4.0
LL-116D	85.4	12.7	42.7	76	90	15.5	18	90	4.0
LL-118DG	69.2	12.7	34.6	73.2	87	18	19	83	3.0

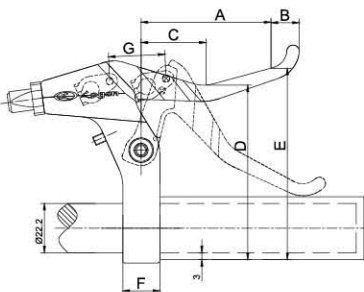


BMX LEVER

ITEM NO.	DIMENSION							WEIGHT(g)	FINGER LENGTH
	A(mm)	B(mm)	C(mm)	D(mm)	E(mm)	F(mm)	G(mm)		
LL-275D	57	12.7	28.5	77.5	89.5	16	20.5	72	2.0
LL-258D	60	12.7	30	75.5	88.5	17	15.5	72	2.0

KIDS LEVER

ITEM NO.	DIMENSION							WEIGHT(g)	FINGER LENGTH
	A(mm)	B(mm)	C(mm)	D(mm)	E(mm)	F(mm)	G(mm)		
LL-480DG	75.4	12.7	37.7	79.4	86.6	16	18.6	80	3.0
LL-702D	54.6	12.7	27.3	81.5	93.9	15	19	51	-
LL-137P	65	12.7	32.5	64	80	21	15	58	3.0
LL-138P	58	12.7	29	75	85	20	26	69	2.0
LL-139P/PAE	60	12.7	30	60	72	20	20	70	2.0
LL-421PAE	56.6	12.7	28.3	68	75	18	18	72	2.0
LL-250P	70	12.7	35	64	76	22	15	73	2.0
LL-251P	64	12.7	32	72	85	22	18	71	2.0
LL-252P	61	12.7	30.5	64	65.5	22	15	71	2.0
LL-329AE	69	12.7	34.5	84.1	96.5	16	27	85	3.0
LL-338PAE	65	12.7	32.5	70	77	20	25	85	2.0
LL-396P	90	12.7	45	81	93.5	22	17	64	3.0







國內銷售

寧波鐘贏車業有限公司

NINGBO ZHONGYING BICYCLE PARTS CO.,LTD.

Add: Shengshan Industrial Zone, Cixi, Ningbo, China

Mobil phone: 13486693004

Fax: (+86)574 63548586

INTERNATIONAL TRADE

LOGAN BICYCLE PARTS(HANGZHOU) CO.,LTD.

Add: Room 808,Zhongmin Building,No.8 Guodong
yuan Road,Hangzhou China

TEL: (+86)571 87273599

Fax: (+86)571 87273577

E-mail: sales@logancn.com

