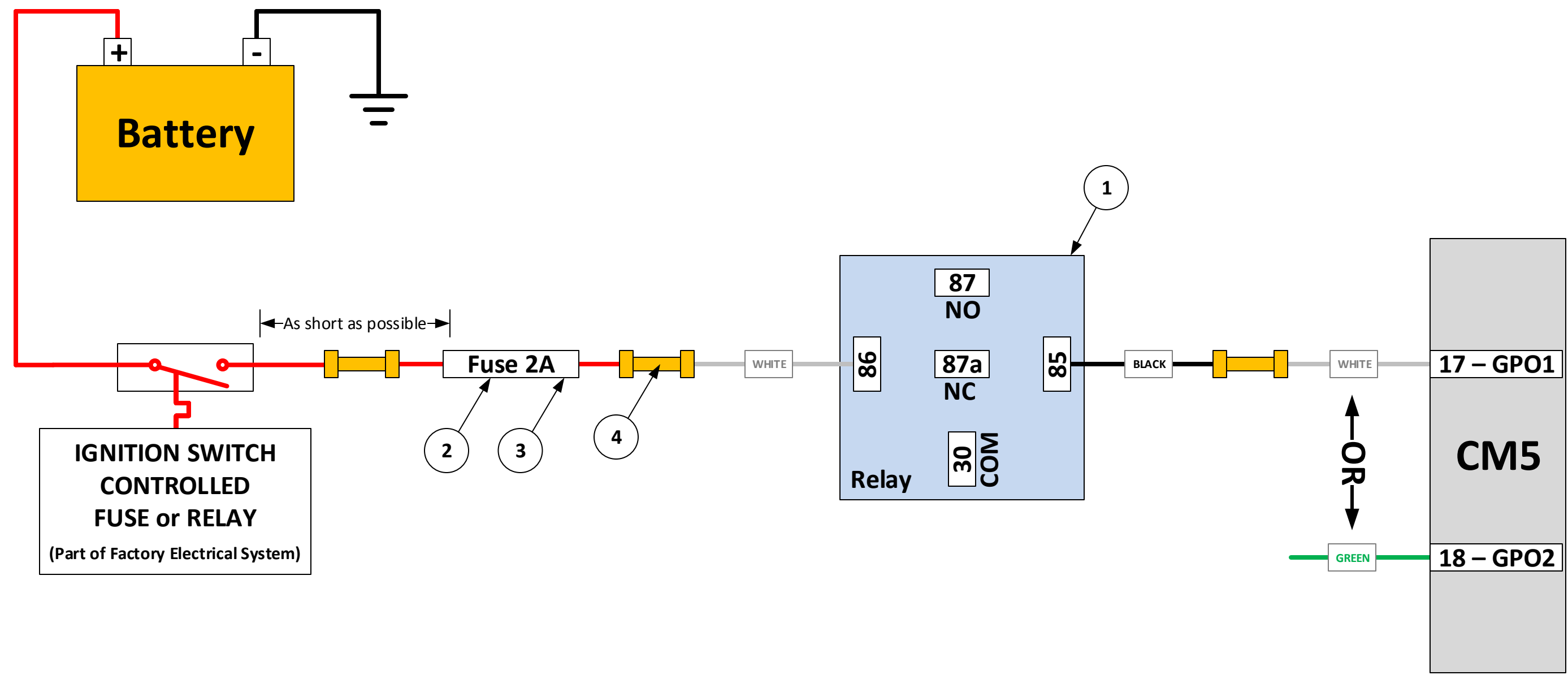



REV.	DESCRIPTION	DATE	BY
-	ENG. RELEASE	06-29-16	MS



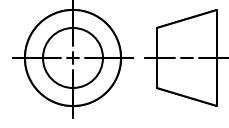
**IGNITION SWITCH
CONTROLLED
FUSE or RELAY**
(Part of Factory Electrical System)

POSSIBLE PARTS LIST			
ITEM	QTY.	PART NO.	SUPPLIER
1	2	5593PT	PICO
2	1	5065	BLUE SEA SYSTEMS
3	1	5236	BLUE SEA SYSTEMS
4	3	SEALED SPLICE	VARIOUS



torqbyte_ torqbyte.com

CM5-LT, CM5, RELAY, GENERAL PURPOSE OUTPUT

 USED WITH CM5 / CM5-LT	SIZE TBLD	FSCM NO N/A	DWG NO RELAY-GPO	REV 01	SHEET 1 OF 1
--------------------------------------------------------------------------------------------------------------------	--------------	----------------	----------------------------	-----------	-----------------