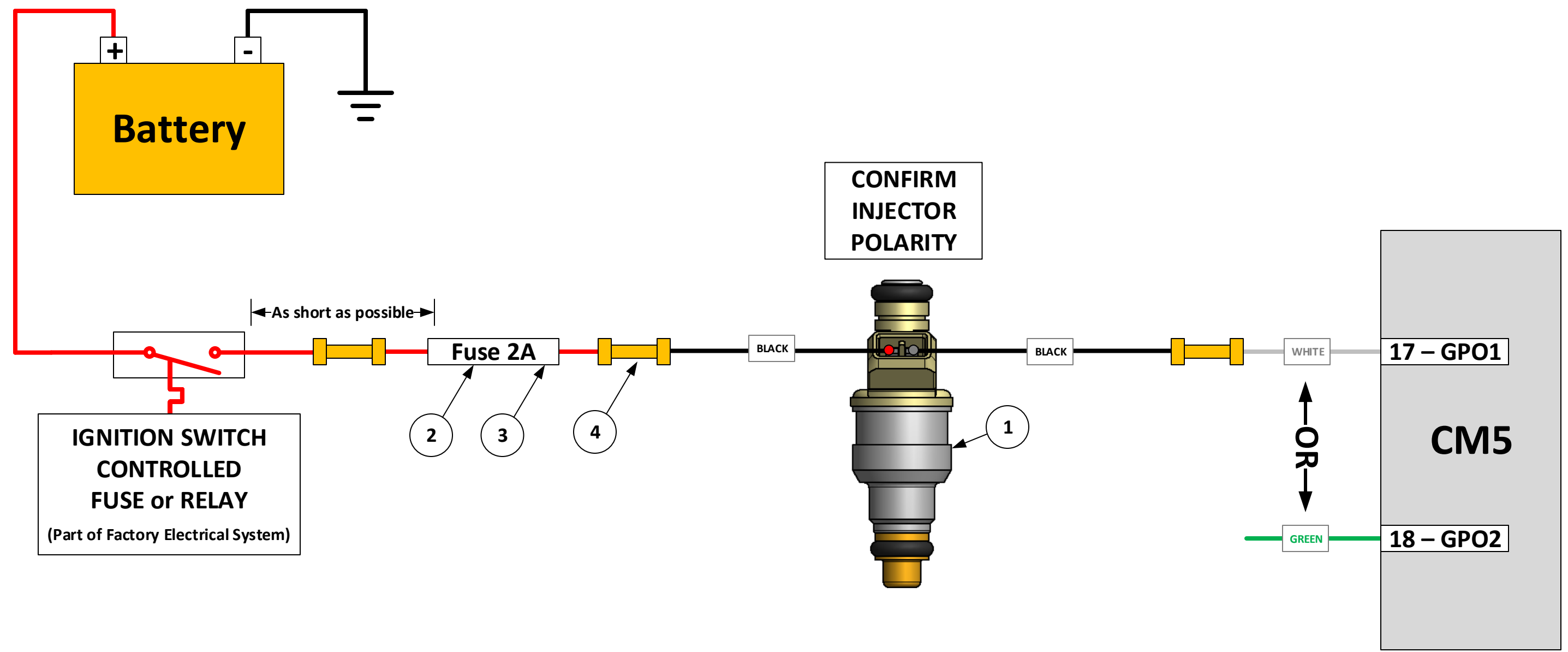
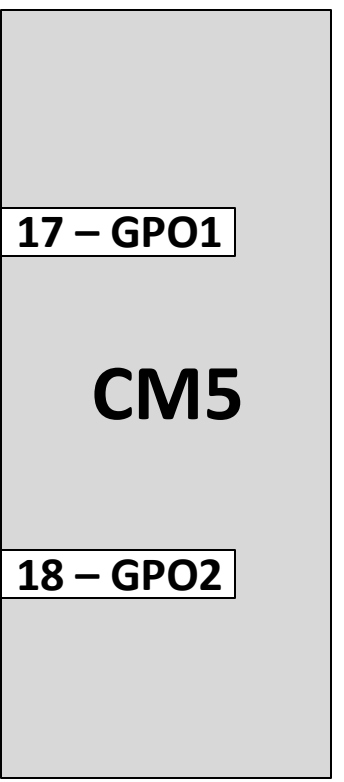


REV.	DESCRIPTION	DATE	BY
-	ENG. RELEASE	06-29-16	MS



IGNITION SWITCH CONTROLLED FUSE or RELAY
(Part of Factory Electrical System)

CONFIRM INJECTOR POLARITY



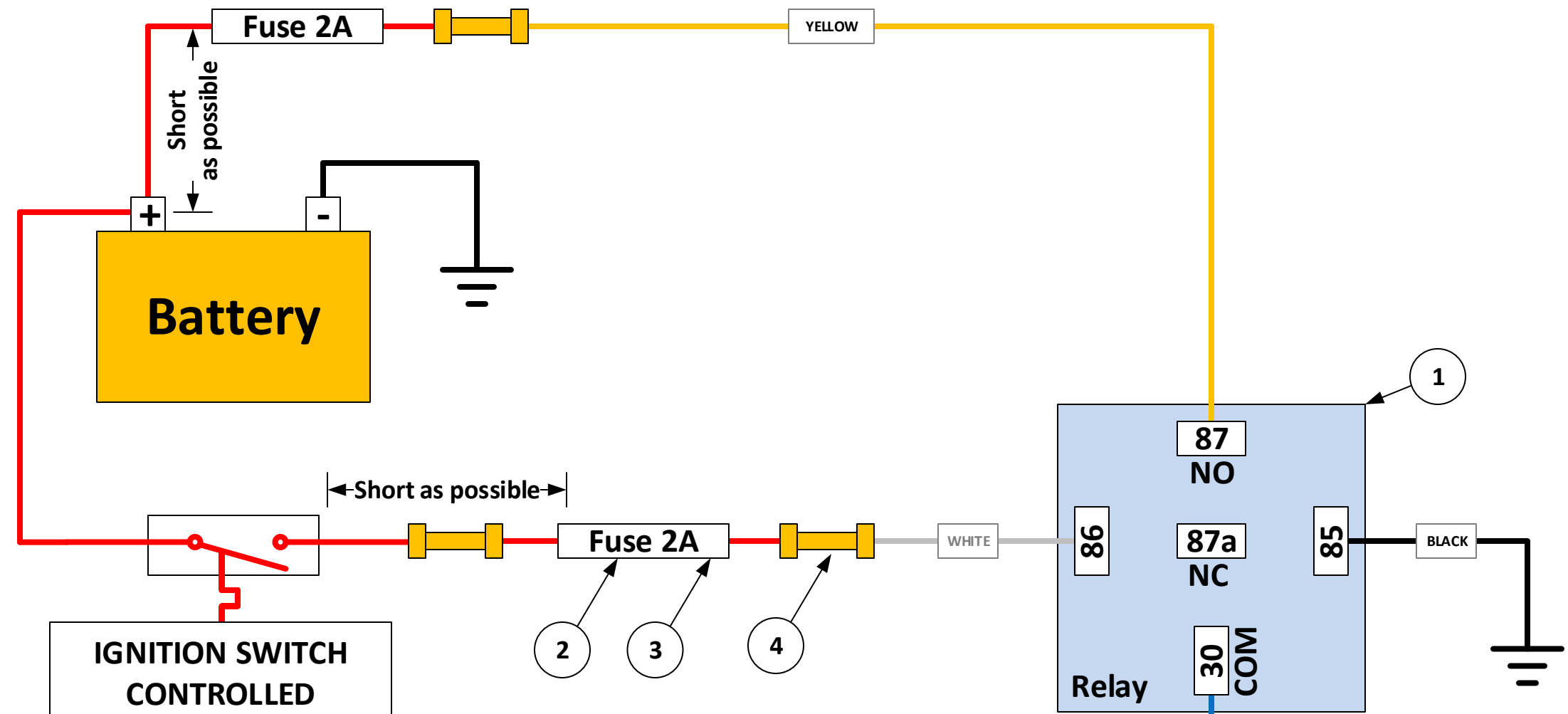
POSSIBLE PARTS LIST			
ITEM	QTY.	PART NO.	SUPPLIER
1	1	INJECTOR	VARIOUS
2	1	5065	BLUE SEA SYSTEMS
3	1	5236	BLUE SEA SYSTEMS
4	3	SEALED SPLICE	VARIOUS

torqbyte_ torqbyte.com

CM5-LT, CM5, INJECTOR, GENERAL PURPOSE OUTPUT

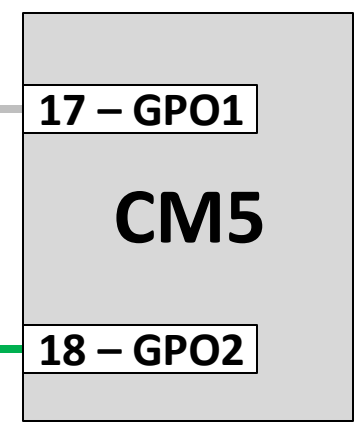
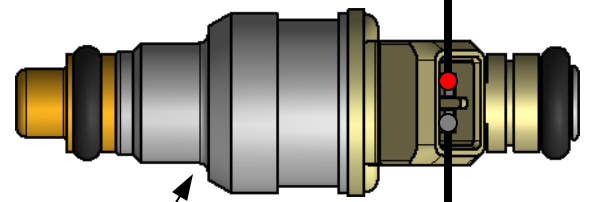
USED WITH	SIZE TBLD	FSCM NO	DWG NO	REV
CM5 / CM5-LT	SCALE	N/A	INJECTOR-GPO-DIRECT	01
			SHEET	1 OF 2

REV.	DESCRIPTION	DATE	BY
-	ENG. RELEASE	06-29-16	MS

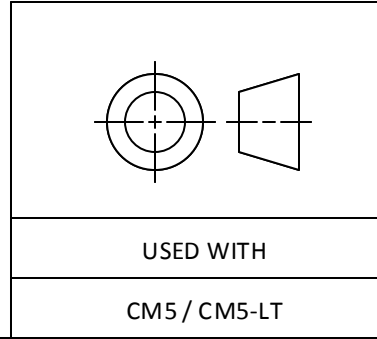


IGNITION SWITCH CONTROLLED FUSE or RELAY
(Part of Factory Electrical System)

CONFIRM INJECTOR POLARITY



POSSIBLE PARTS LIST			
ITEM	QTY.	PART NO.	SUPPLIER
1	2	5593PT	PICO
2	1	5065	BLUE SEA SYSTEMS
3	1	5236	BLUE SEA SYSTEMS
4	3	SEALED SPLICE	VARIOUS
5	1	INJECTOR	VARIOUS



torqbyte_ torqbyte.com

CM5-LT, CM5, INJECTOR, GENERAL PURPOSE OUTPUT

USED WITH	SIZE TBLD	FSCM NO	DWG NO	REV
CM5 / CM5-LT	SCALE	N/A	INJECTOR-GPO-RELAY	01
			SHEET	2 OF 2