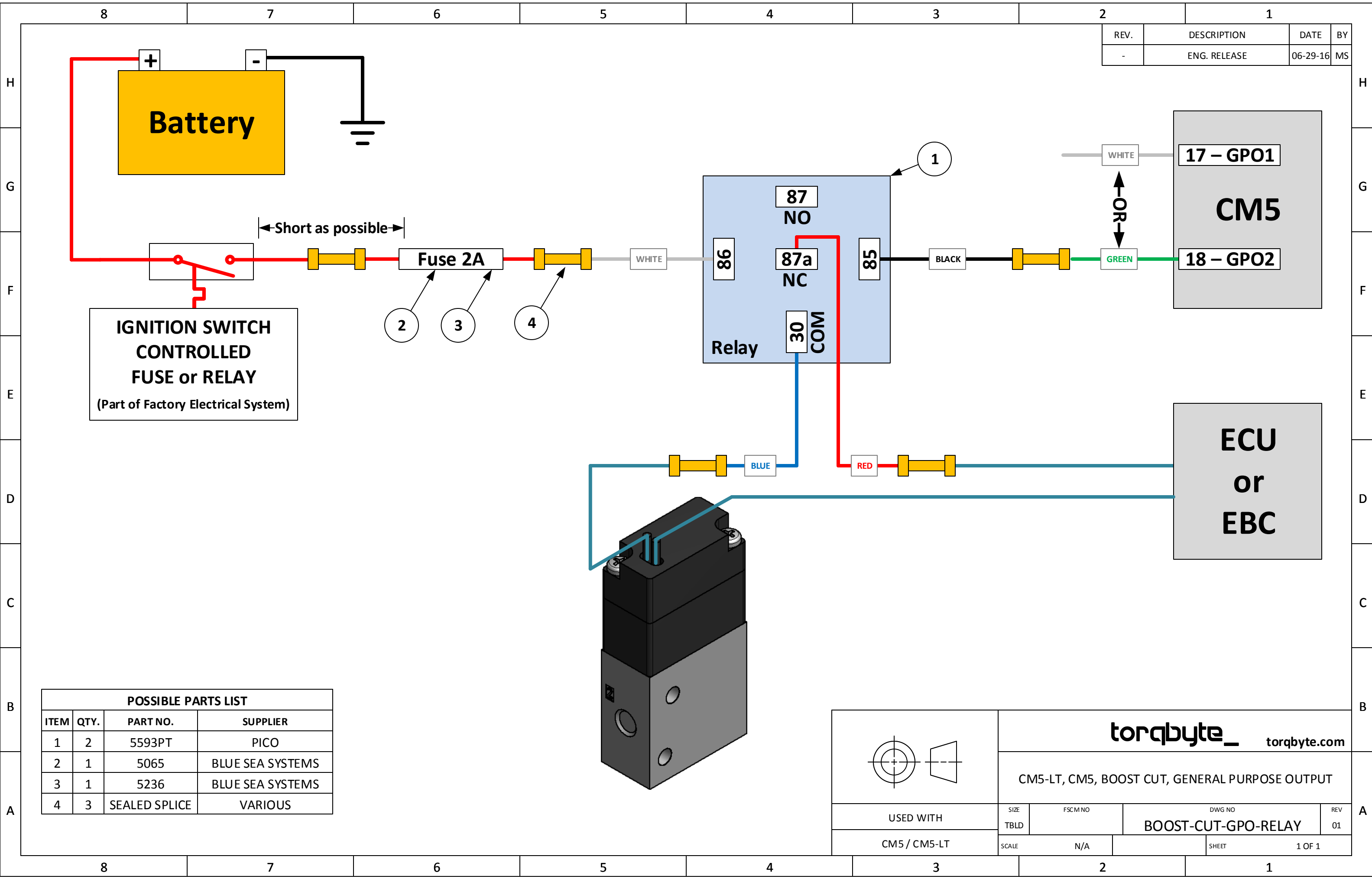
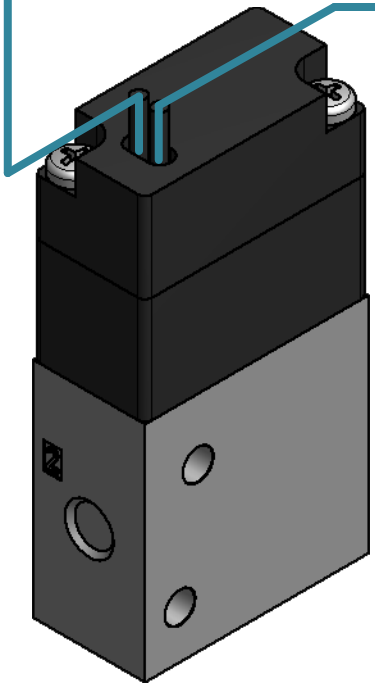


REV.	DESCRIPTION	DATE	BY
-	ENG. RELEASE	06-29-16	MS



IGNITION SWITCH CONTROLLED FUSE or RELAY
(Part of Factory Electrical System)

POSSIBLE PARTS LIST			
ITEM	QTY.	PART NO.	SUPPLIER
1	2	5593PT	PICO
2	1	5065	BLUE SEA SYSTEMS
3	1	5236	BLUE SEA SYSTEMS
4	3	SEALED SPLICE	VARIOUS



		torqbyte_ torqbyte.com			
		CM5-LT, CM5, BOOST CUT, GENERAL PURPOSE OUTPUT			
USED WITH	SIZE TBLD	FSCM NO	DWG NO	REV	
CM5 / CM5-LT	SCALE	N/A	BOOST-CUT-GPO-RELAY	01	
			SHEET	1 OF 1	