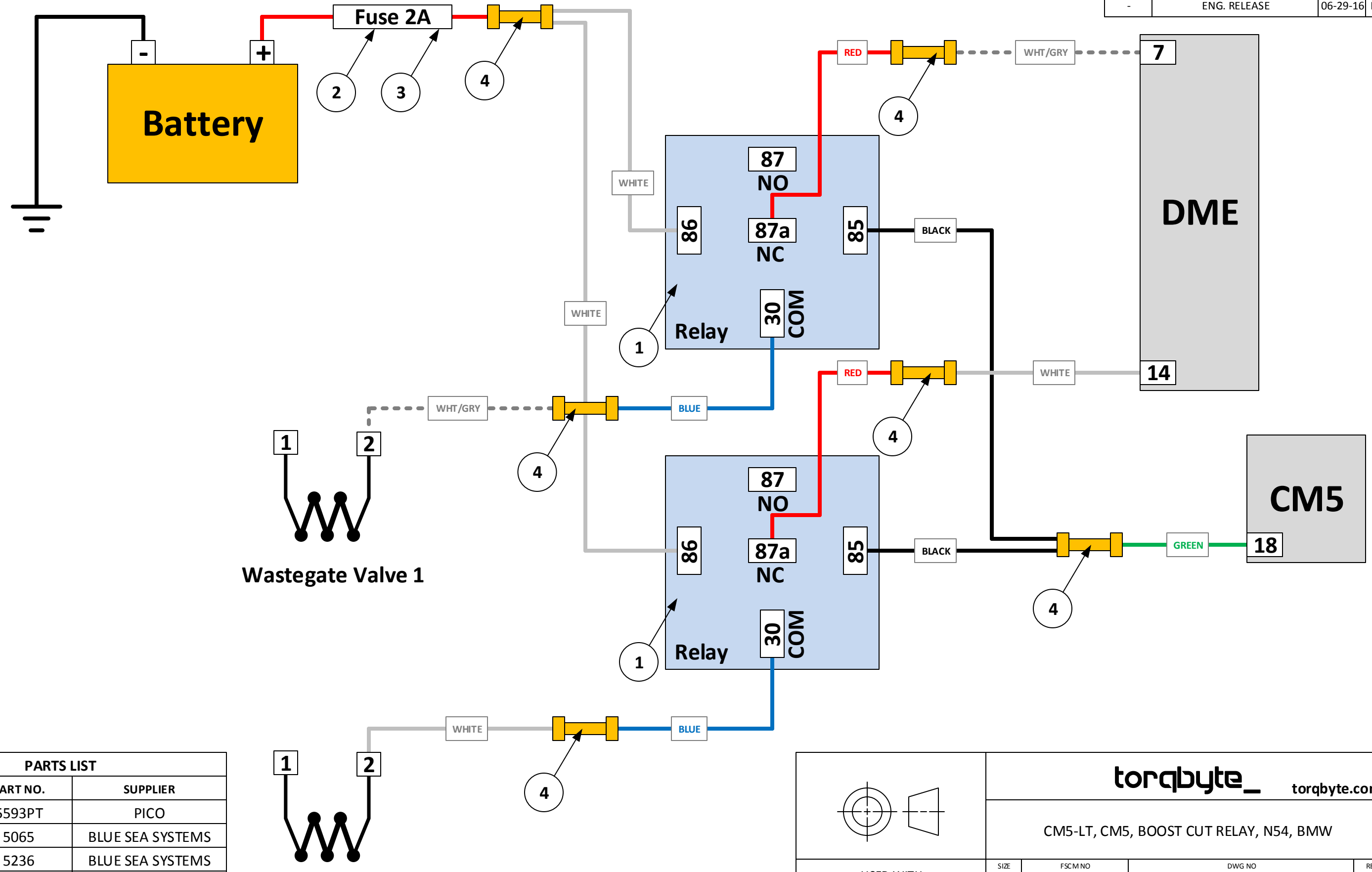



REV.	DESCRIPTION	DATE	BY
-	ENG. RELEASE	06-29-16	MS



PARTS LIST			
ITEM	QTY.	PART NO.	SUPPLIER
1	2	5593PT	PICO
2	1	5065	BLUE SEA SYSTEMS
3	1	5236	BLUE SEA SYSTEMS
4	6	108961-000	DIGIKEY


torqbyte.com

CM5-LT, CM5, BOOST CUT RELAY, N54, BMW

USED WITH	SIZE TBLD	FSCM NO	DWG NO N54-BOOST-CUT	REV 01
CM5 / CM5-LT	SCALE	N/A	SHEET	1 OF 1

H

G

F

E

D

C

B

A

H

G

F

E

D

C

B

A