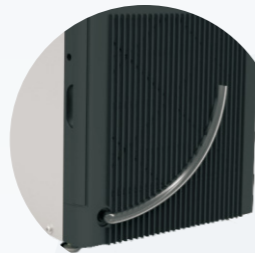


AirWerx 90

Dehumidifier

Crawlspace & Basement Dehumidifier



Drainage



Return Duct Kit



Clean Air Filter
Application



Winkle free tube

The AirWerx 90 small compact design makes it the perfect dehumidifier for spaces beneath the first floor – that is the crawlspace or the basement. It's easy to install and operate while its size ensures it fits in these spaces. This unit is also good for water damage restoration, storage areas, offices, and restaurants.

Specifications

Installation type/place	All rooms
Power	115V/60Hz
Size limit	Not over 2,600 sq. ft
Air flow	210 CFM
Installation type	Portable
Remote control	Yes
Display type	Digital.
Sound level	<58 DBA
Draining	Gravity (no pump)
Compressor type	Rotary
Defrosting control system	Auto defrosting
Bypass air sensor	Yes.
Memory starting	All set settings remain the same even after a restart
Automatic humidistat control	Yes.
Easy handling	Plug and play design - easy to operate
Weight	67.2 lbs (30.5 Kgs)
Dimensions	Depth: 17.7 in. Height: 15.2 in. Width: 23.2 in.



Key Features

- 1. Capacity:
 - 1) 90 Pints/Day, AHAM (80°F, 60%);
 - 2) 198 Pints/Day, Saturation (90°F, 90%).
 - 3) Size for: 2,600 Sq. Ft.
- 2. Outlet: 6" big diameter air outlet, focused dehumidifying.
- 3. Draining: Gravity draining (no pump)
- 4. Supper COP: 2.69L/KWH.

Overview

The AirWerx 90 dehumidifier is high capacity – low energy consumption dehumidifier you have been looking for. With a capacity of extracting more than 90 pints of moisture from the indoor air, its powerful dehumidifying capacity cannot be questioned.

Small in size, built with metal housing and light to make easier to move from one room the other. The AirWerx 90 unit is the ideal dehumidifier for anyone who requires to dehumidify on different floors. It is also equipped with a duct for focused dehumidification, this guarantees that all the corners of the house are dehumidified.



EFFICIENT • LARGE CAPACITY • POWERFUL
INDUSTRY • RESIDENTIAL HOMES
STORES • RESTORATION

AirWerx 90

Dehumidifier

With **AirWerx 90** you get a durable, efficient and effective dehumidifier.



ENERGY STAR certified

With ENERGY STAR certified dehumidifier, save tomorrow with energy savings, and save for good - for all the good things you want in your life and for a healthier planet for you and your family.

Performance

Its auto humidistat allow this unit to detect the change in the levels of humidity, thus it is one of the most effective dehumidifiers in the market!

Capacity

The AirWerx 90 is capable of extracting over 90 pints of moisture.

Support

All our customers enjoy effective support, thanks to your technical support team via phone. We ensure that all our customers are able to receive the help they need promptly. For any queries with The AirWerx 90 unit send us an email or call us now!

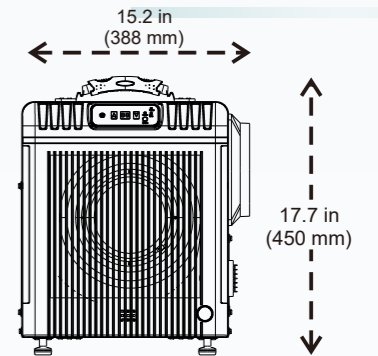
Warranty

We at BaseAire ensure that all our units are thoroughly checked and tested, to ensure they are 100% operational to meet and exceed our customer's needs and expectations.

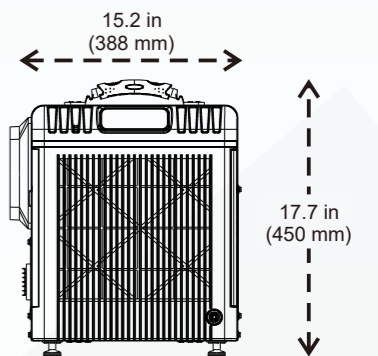
The **AirWerx 90** has a **5** years warranty.

Features

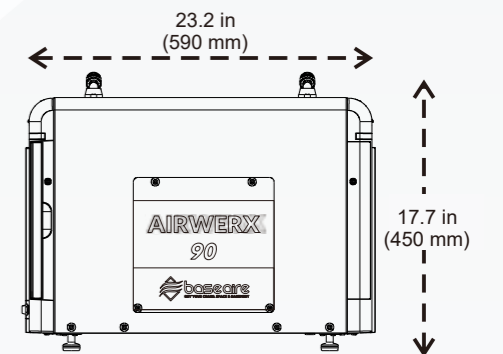
- ✔ In-built overheating protection features.
- ✔ Easy access to the main board for easy maintenance.
- ✔ Rare earth alloy tube evaporator with stainless side plate for durability.
- ✔ Remains fully operational at low temperatures.
- ✔ Auto defrosting system.
- ✔ Filter for air purification.



FRONT



BACK



SIDE

Specifications subject to change without notice.

Web: www.baseaire.com

E-mail: sales@baseaire.com

Tel : 1-888-641-8862