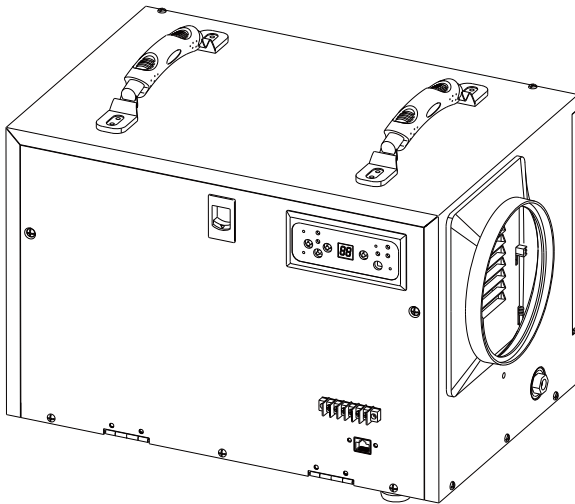


AirWerx 65X

Installation & Operations Manual



Patented

Tel: 1-888-641-8862
Web: www.baseaire.com
E-mail: sales@baseaire.com

Table of Contents

Warranty Registration	2
Safety Notes	2
Identification	3
Electrical Supply.....	3
Principle of Operation.....	3
Installation.....	4
Key Functions.....	5
Indicator Lights	6
Remote Control.....	6
Operating Instructions.....	7
Diagram	8
Maintenance.....	8
Dehumidifier Storage	9
Ducted Applications	9
Troubleshooting	10
Water Pump Maintenance and Application	11
Spare Parts	14
Warranty Information	15

■ Warranty Registration

Congratulations on purchasing a new AirWerx Dehumidifier. Your new dehumidifier comes with an extensive warranty plan. To register, simply fill out and return the warranty form provided in the dehumidifier box.

Be sure to note your dehumidifier serial number as you will need it for registration.

■ Safety Notes

- The AirWerx Series Dehumidifier must always be connected using a grounded electrical connection (as required for all electrical appliances). If non-grounded wiring is used, all liability reverts to the owner and the warranty is voided.
- AirWerx Dehumidifiers should only be maintained and repaired by a qualified technician.
- AirWerx Dehumidifiers are only intended for operation when oriented with the unit sitting on its feet and level. Operating the unit in any other orientation could allow water to flood electrical components.
- Always unplug dehumidifier before moving.
- If there is a chance that water flooded the dehumidifier, it should be opened and allowed to dry thoroughly before reconnecting to electrical power and restarting.
- To ensure proper operation, neither the inlet nor discharge should be positioned against a wall. The inlet requires a minimum of 6' clearance and the discharge requires a minimum of 6' clearance.
- For better use of the dehumidifier, both air inlet and air outlet should be facing the open area of the space.
- Do not insert your fingers or any object into the inlet or discharge.
- All work on the dehumidifier should be done with the unit "off" and unplugged.
- Do not use water to clean the exterior of the machine. To clean unit, unplug from power, then use a damp cloth to wipe the exterior.
- Do not stand on the machine or use it as a device to hang clothes.

■ Identification

For future reference, write down the model, serial number, and date of purchase for your dehumidifier. This is extremely helpful if you need to seek assistance in the future. The data label on the side of your unit has the key characteristics of your specific machine.

Model number: AirWerx 65X

Serial Number: _____

Date of Purchase: _____

For additional questions concerning your dehumidifier, the following options are available :

- Contact your installing contractor
- E-mail: sales@baseaire.com

■ Electrical Supply

Power Supply: 115 V, 60 Hz AC, Single Phase

Outlet Requirement: 3-Prong, GFCI

Circuit Protector: 15 Amp

⚠ WARNING: 240 Volts AC may cause serious injury from electric shock.
To reduce the risk of injury:

1. Disconnect electrical power before servicing.
2. Only plug unit into grounded electrical circuit.
3. Do not use an extension cord.
4. Do not use a plug adapter.

■ Principle of Operation

The AirWerx Series Dehumidifier utilizes its integral humidistat to monitor the conditioned space. When the relative humidity goes above the selected set point, the dehumidifier will energize. Air is drawn across an evaporator coil, which is cooler than the dew point of air. This means moisture will condense out of the air. The air is then reheated through the condenser coil and distributed back into the room.

■ Installation

The area to be controlled should be sealed with a vapor barrier. If the unit is installed in a crawlspace, all vents should be sealed.

⚠ WARNING: Do not install your dehumidifier in a corrosive environment. Some liquid vapor barriers dry via "solvent evaporation". Always make sure that barrier is completely dry and area is thoroughly ventilated before installing dehumidifier.

Step #1: Place dehumidifier on a level surface.

Do not place unit directly on vapor barrier. For example, use blocks or pavers to create a level surface. If the unit is handled in such a manner that the compressor did not remain in the upright position, you will need to place it on a level surface and wait a minimum of 2 hours before turning the unit "on".


Step #2: Set Up Drain Line.

The included drain line attaches to unit via a compression type fitting on the discharge end of the unit. To attach drain line, remove the compression nut and slide it over the end of the house to be attached to unit. Side compression nut side of house over the insert on the compression fitting completely. Tighten compression nut.


■ Key Functions



1. Power Key

Use this button to turn the dehumidifier on and off. Press once to turn the machine on. You will hear one beep and the  light will illuminate green. Press the power button a second time and you will hear one beep as the machine shuts down. Note that there is a one minute fan delay on shutdown.

2. Arrow Buttons

Use the up and down arrow buttons to set the desired humidity setpoint on the display screen. The setpoint can be any number between 35-90%. Creating a setpoint means that when the  indoor humidity is lower than the setpoint, the machine will stop automatically. Conversely, when the indoor humidity is higher than the set level, the unit will operate. NOTE: The humidity levels displayed are approximate only (+/-5%)

3. Continuous Mode

To switch into continuous mode, simply use the down arrow to set the humidity below 35%. The Cont. light should illuminate green on the display board to indicate that you have successfully switched into continuous mode. The display screen will show "CO".

When set to continuous, the dehumidifier will run constantly, regardless of the humidity level. To stop the machine, turn the unit off or switch back to normal humidistat operation. If you would like to switch back to normal humidistat operation, simply move the setpoint above 35%.

4. Central Control

This mode is not applicable on the AirWerx 65X.

5. Manual Drain Button

For extended storage or movement of the machine, press the "Drain" button to remove water from the integral pump's reservoir.

6. Auxillary Terminals A5/a6

The A5/A6 on the terminal strip can be used as a safety switch for external condensate pumps. It should be set to N/O (normally open) at the dehumidifier. If an E4 error occurs, switch the wiring to N/C (normally closed).

Indicator Lights

1. Humidity Display Screen

The display screen has two functions:

1. When the unit is powered on, it shows the humidity of the space.
2. While setting the desired humidity level, the screen will show the set humidity. After a brief delay, the display will revert to current humidity level.

2. Power Indicator Light

This light indicates that the unit is properly powered on and ready to operate. Always make sure the unit is "off" prior to performing any service.

When the power light is blinking, it means that the unit has reached the humidity setpoint.

3. Continuous Mode/autodefrost Light

When this light illuminates green, it indicates that the dehumidifier is set to continuous operation mode.

When the light glows red, it means the unit is in auto defrost mode and clearing the evaporator coil of any ice buildup.

4. Compressor Light

When the compressor light glows red, it indicates the compressor has been initiated but is currently warming up.

Once the compressor light switches to green, it indicates the compressor is in working status.

Remote Control Instructions

AirWerx Dehumidifiers can be controlled using an optional remote accessory. The AirWerx Remote Control connects to your Airwerx Series Dehumidifier via a 25' CAT 5 cable. The remote control contains an integrated sensor which gives you multiple options for remotely controlling your unit, in addition to monitoring the conditions surrounding the dehumidifier.

One application for the remote control is to install the dehumidifier in one room with the conditioned air ducted into a second room that contains the remote. For example, the dehumidifier could be installed in a laundry room and ducted into a living room. The remote would then be mounted in the living room so the remote sensor can control the humidity and provide easy controls for the user.

Another useful application for the remote control is if the dehumidifier is in area that's difficult to access on a regular basis. For instance, if your dehumidifier is installed in your crawl space, the remote could be mounted in your living space or garage. This provides you with an easy way to monitor the dehumidifier.

1. On/off (power) button


Press the on/off button and the machine will start running (one beep). Press the button again to turn the machine off.

2. Up Button / Down Button

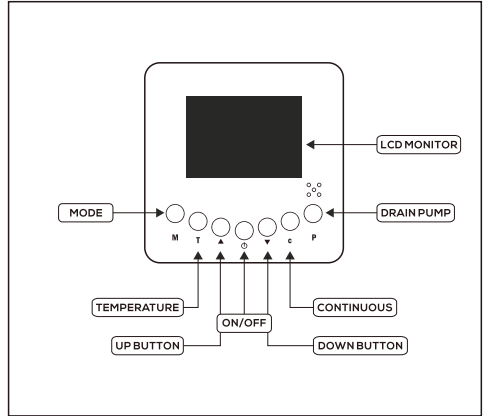
Use the Up and Down arrow buttons to adjust the humidity level.

3. Mode

Use the Mode button to switch between dehumidification and a ducted application.

The  symbol on the display board indicates the sensor on the remote control is being utilized.

The  symbol on the display board indicates the sensor on the dehumidifier is being utilized.



4. Temperature

Press the temperature button to display the current temperature on the screen. Press the button again to turn off the display.

5. Continuous

Press this button to switch the unit into continuous mode.

Cont. will appear on the display to indicate continuous mode.

6. Drain Pump

Use this button if the unit will not be in use for an extended period of time. Pressing the drain pump button will remove

water from the pump reservoir, so the unit can be safely moved or stored.

THIS FUNCTION IS ONLY AVAILABLE ON THE AirWerx90X, AirWerx 65X model.

NOTE: Symbols indicated above will only appear when the dehumidifier is powered on.

Operating Instructions

1. Start the machine

Press the power key to turn the machine on.

2. Adjust the Settings

Use the up and down arrow keys to adjust your desired setpoint (typically 50-55%).

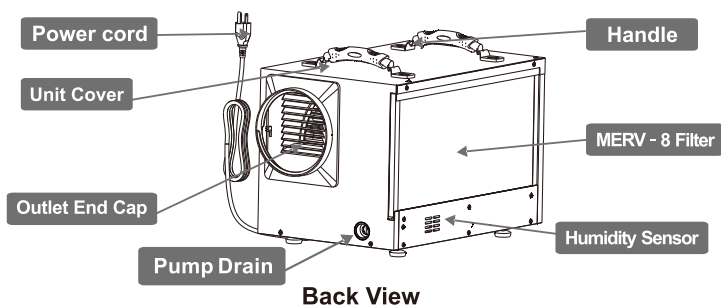
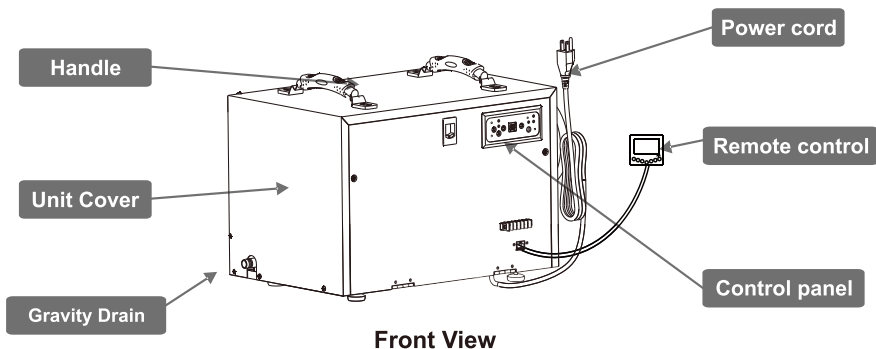
3. Stop the Machine

Press the power key again and the machine will stop. Note the fan will continue to operate for 1 minute after the unit has turned off. NOTE: Do not disconnect the power cord to force the unit to stop. Always use the power button.

4. Water Drainage

During normal operation, the AirWerx 65X will automatically drain by the force of gravity. If you want to move or store your machine, wait at least 10 minutes to allow the machine to completely defrost, then lean unit gently towards drain to ensure that it is completely drained.

AirWerx 65X Diagram



Maintenance

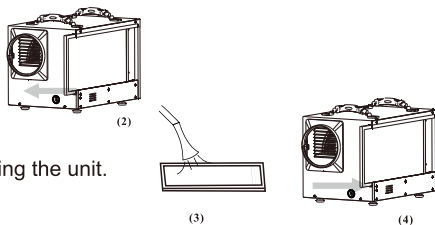
⚠ WARNING: Always unplug the unit before doing any maintenance.

► Cleaning the machine body

Use a soft damp cloth to clean the exterior of unit. Do not use any soap or solvents.

► Cleaning the filter

1. Unplug the unit.
2. Slide out the filter.
3. Clean the filter mesh by vacuuming or washing with warm water (no soap or solvents).
4. Be sure filter is completely dry before restarting the unit.



► Coil Maintenance

- Once per year, clean the coils with an approved coil cleaner.
- Coil cleaner should be a self-rinsing, foaming cleaner such as WEB® Coil Cleaner.

Dehumidifier Storage

If the unit will be stored for an extended period of time, complete the following steps:

1. Turn off the unit and allow to dry.
2. Wrap and secure the power cord.
3. Cover the filter mesh.
4. Store in a clean, dry space.

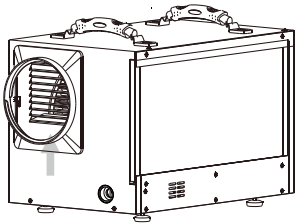
Ducted Applications

Ducting the dehumidifier allows the unit to be in one room while conditioning an adjacent room. The supply grille is designed for 6" flex ducting. Be sure to secure the ducting with tie wrap. Also, keep in mind that the supply ducting can be screwed into an adapter if necessary.

Ducting Installation

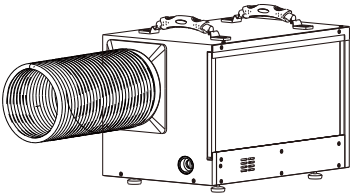
·Maximum length for ducting= 6'

Note: The supply duct adapter is standard on all units.



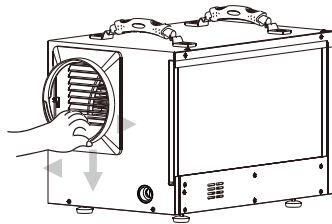
Installing Supply Duct Adapter

To install adapter, line up with holes on the side of unit and push up from the base of adapter.



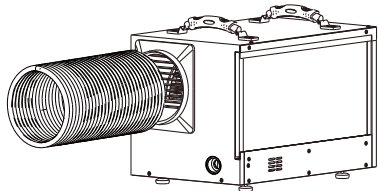
Flex Duct Installation

Rotate the flex duct counter-clockwise.



Removing Supply duct Adapter

If it is necessary to remove the adapter, place hand at bottom of adapter and use your fingers to pull out and down on base of adapter. This will lift hooks out of cover holes.



Flex Duct Removal

Rotate flex duct clockwise.

Troubleshooting

Symptom	Cause	Solution
Machine Won't Run	Power Supply	Verify that there is power to the outlet and that the plug is properly installed in outlet.
	Room Temperature Over 105°F (Display HI) or Below 33°F (Display LO)	The unit is outside the operating temperature range. Modify the room conditions so the temperature is between 33°F-105°F and operation will commence.
Low Air Flow	Air Filter is Clogged	Clean the filter mesh according to instructions listed in manual.
	Air Inlet or Outlet is Blocked.	Clear the blockage from inlet or outlet.
Loud Noise	Machine Is Not level	Move the dehumidifier to flat, firm ground.
	Filter Mesh is Blocked	Clean the filter mesh according to instructions listed in manual.
Trouble Code :E1	E1=Humidity Sensor Issues	Check to ensure that wire is connected at both ends. If no issues are visible, the sensor may be faulty.
Trouble Code :E4	Pump has failed	Verify that the pump is working.if so,unplug the unit for two minutes,then restart.
Trouble Code: HI or LO	Room Temperature Over 105°F or Below33°F (Display LO)	The unit is outside the operating temperature range. Modify the room conditions so the temperature is between 33°F-105°F and operation will commence. If room conditions are within temperature range, replace the defective sensor.

Pump Alarm- Trouble Code E4

If a pump alarm is shown on the display, complete the following steps:

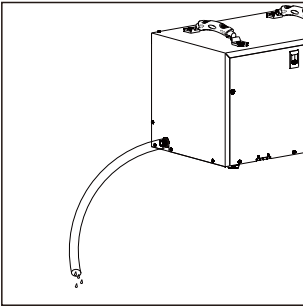
1. Reset the unit by disconnecting the power cord and then reconnecting it.
NOTE: UNIT WILL NOT FUNCTION UNTIL ERROR CODE HAS BEEN CLEARED.
2. Manually check to see if pump is operational by pressing the drain button. Check if the pump energizes and de-energizes properly. Additionally, check to see if any water purged from the system.
3. If you haven't cleaned the system recently, check the discharge line for an obstruction, then clean the balance of the pump system (see "Maintenance" on page 8 for details).
4. Replace the houses and/or pump, if maintenance alone isn't sufficient.

Water Pump Maintenance and Application

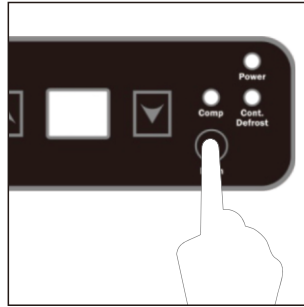
► Normal use of water pump

1. Determine whether the forced drainage function is useful

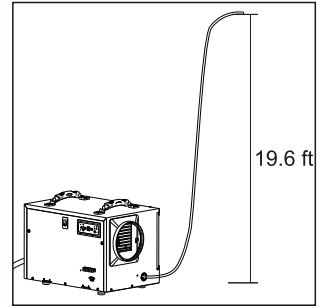
When the power is on, press the "Drain" button, the water pump runs normally, the pumping water is normal, there is no vibration and noise, and the water flows smoothly.



Gravity Drain



Drain



Pump Drain

2. Determine whether the automatic drainage function of the water pump water level line is useful

Press the "Ⓞ" button, the machine will perform dehumidification work. When the water level in the water collector reaches a certain height, the floating ball rises, and the water pump automatically enters the water pumping state, without vibration and noise, and the water flows smoothly.

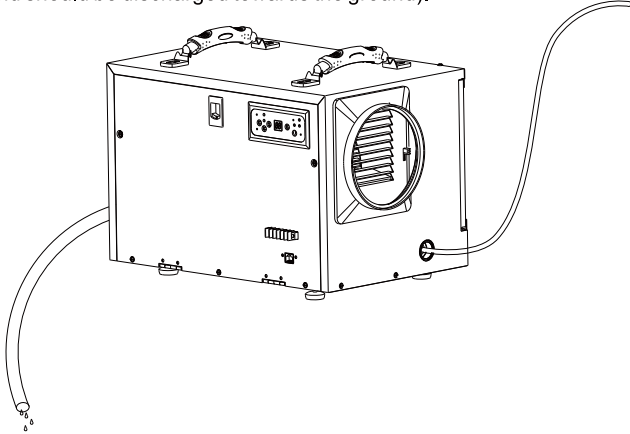
3. Turn on the power and run the dehumidifier

If there is no abnormality in the forced drainage function and the automatic drainage function, the user can rest assured to use this equipment. If the water pumping is abnormal, the machine will display an error code of "E4", at this time, the user can simply repair the pump failure by himself. When the user is unable to repair, contact the manufacturer via email or phone.



► Usage of gravity drainage pipe (It can choose gravity drain or pump drain with the working environment)

For gravity drainage, the dehumidifier should be placed on a plane with a certain height. Pull out the screw tooth rubber plug at the outlet of the water collector of the dehumidifier, and plug in the water pipe. The condensate dripping from the coil will be discharged along the water pipe, which can be collected into the water storage container or discharged out of the room (Note: the water pipe should not be higher than the dehumidifier and should be discharged towards the ground).



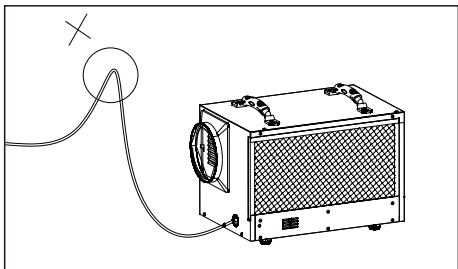
► Water pump function

1. Solve the inconvenience that gravity drainage can only place the machine at a fixed height, it can be put in various places in the house for work.
2. The drainage pipe can be laid at will, without space restriction, up to 19.6 ft.
3. It can be allowed to pump water automatically when it reaches a certain water level, or it can be pumped manually at any time, which is more flexible and convenient.
4. The advantages of the water pump itself, low noise, low vibration, small size, long life, self-priming function, simple maintenance and easy replacement.
5. Use the rubber stopper plug the drain hole when you use the pump drain.

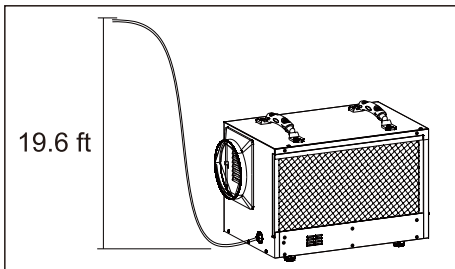
► The fault judgment and maintenance method of the water pump

Problem judgment when "E4" error code appears:

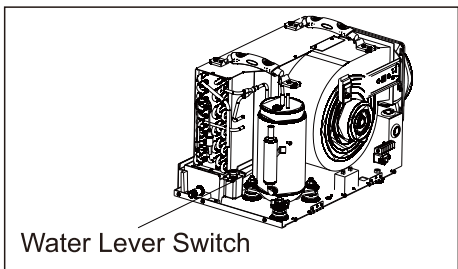
1. The drainage hose is blocked or bent and deformed by foreign matter.
2. The drainage height exceeds the standard.
3. Water level switch failure.
4. Water pump failure or expiration of service life.
5. Internal water pump hose is blocked or bent and deformed by foreign matter.



(1)

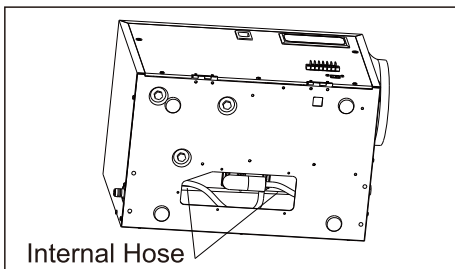


(2)



Water Level Switch

(3)

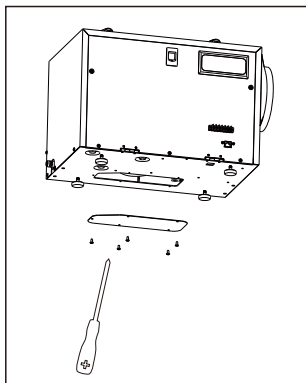


Internal Hose

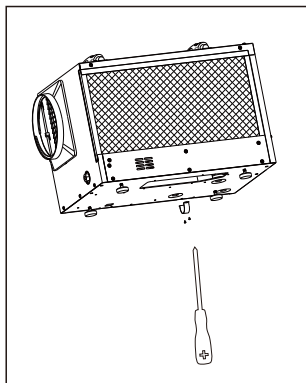
(5)

► Pump repair method

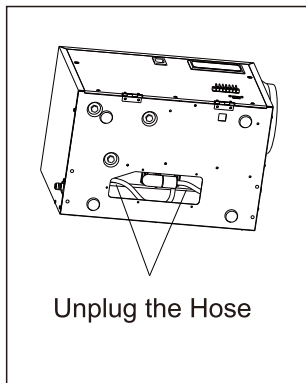
1. Use a Phillips screwdriver to unscrew the five screws on the water pump panel, you can see the fixed state of the water pump.
2. Use a Phillips screwdriver to loosen the two screws of the water pump fixing bracket.
3. Pull out the hose fixed in the water storage box, and take out the water pump for replacement.
4. Install the new water pump to its original position according to the above steps.



(1)



(2)



(3)

AirWerx 65X Spare Parts

All AirWerx Models-Parts	
Part#	Description
A-100	Remote Control Package (cable+remote)
A-101	Remote Control
A-102	Remote Control Cable, 26'
A-107	Flexible Supply Duct, 72"
A-108	Main Control Board
A-109	Display Board
A-110	RH/Temperature Sensor
AirWerx 65X-Parts	
Part#	Description
A-500	Fan Motor
A-501	Complete Fan Assembly
A-502	Fan Capacitor
A-503	Compressor
A-504	Compressor Capacitor
A-505	Coil Assembly
A-506	Rare Earth Alloy Tube Evaporator
A-508	RH/Temperature Sensor Cable
A-509	Display Cable
A-510	CAT 5 Prot Internal Cable
A-513	Foot, adjustable
A-514	Condensate Pump Assembly
AirWerx 65X-Filters	
Part#	Description
A-517	MERV-8 Filter

Limited Warranty

This limited warranty starts from the date of purchase. BASEAIRE warrants to the original purchaser that this BASEAIRE product is free from manufacturing defects in material or workmanship for the limited warranty period of:

Six (6) Month parts and labor. This includes the shipments charges for replacement parts or unit.

One (1) year parts and labor. This does not include the shipment charge to send the defective product back to be repaired or replaced.

Three (3) years parts and labor on Refrigeration System ONLY (Compressor, Condenser, and evaporator). Transportation cost, not included

Five (5) years parts on Refrigeration System ONLY(Compressor, Condenser, and evaporator). Transportation cost, not included

This limited warranty is valid only on products purchased from the manufacturer or BASEAIRE authorized dealer and operated, installed, and maintained according to the instructions included in this user guide or furnished with the product. BaseAire will not provide in-home service during or after the warranty period. You may be responsible for the shipping charge to bring the product to the manufacturer for service.

To receive warranty service, the purchaser must contact BASEAIRE at 1-888-641-8862 or sales@baseaire.com. A proof of purchase or order number is required to receive warranty service. During the applicable warranty period, a product will be repaired or replaced at the sole option of BASEAIRE.

Limited Warranty Exclusions

This limited warranty covers manufacturing defects in materials or workmanship encountered in normal household, commercial or noncommercial use of this product and shall not cover the following:

- Damage occurs in uses for which this product was not intended for.
- Damage caused by unauthorized modification or alteration of the product.
- Cosmetic damage including scratches, dents, chips, and other damage to the product's finishes.
- Damage caused by abuse, misuse, pest infestation, accident, fire, floods, or other acts of nature.
- Damage caused by incorrect electrical line current, voltage, fluctuations, and surges.
- Damage caused by failure to perform proper maintenance of the product.

The use of this product in SPA or a room with OUTDOOR POOL invalidate or voids limited warranty.

Warranty Registration Card

Order Number: _____ Model: _____

Serial #: _____ Installer: _____ Installation date: _____

Name: _____ Address: _____

City: _____ State: _____ Zip: _____

Phone #: _____ E-mail: _____

If you have any questions, please feel free to contact us at **888-641-8862** or visit www.baseaire.com

Register your unit for warranty using this link:
<https://www.baseaire.com/page/Warranty-and-warranty-registration>



Scan QR Code for Warranty Registration



base air

DRY YOUR CRAWL SPACE & BASEMENT