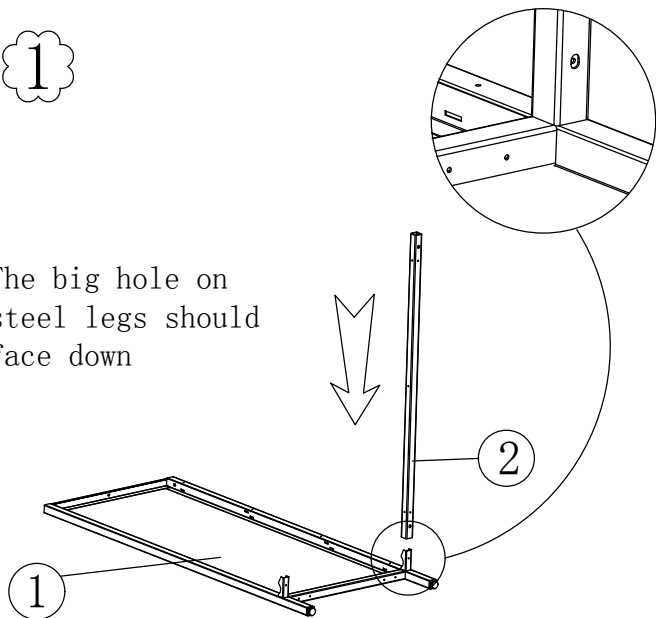
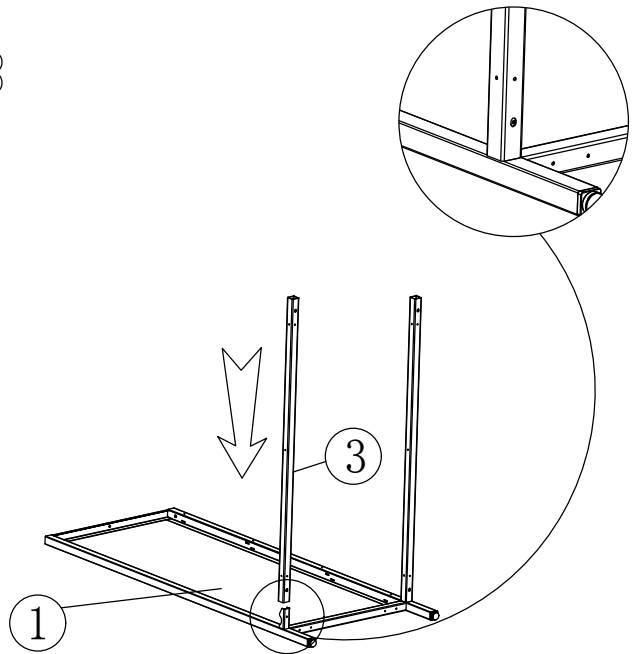


1

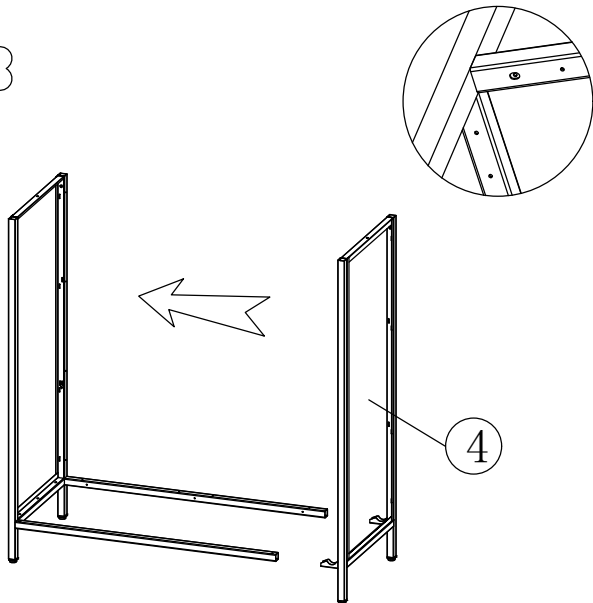
The big hole on steel legs should face down



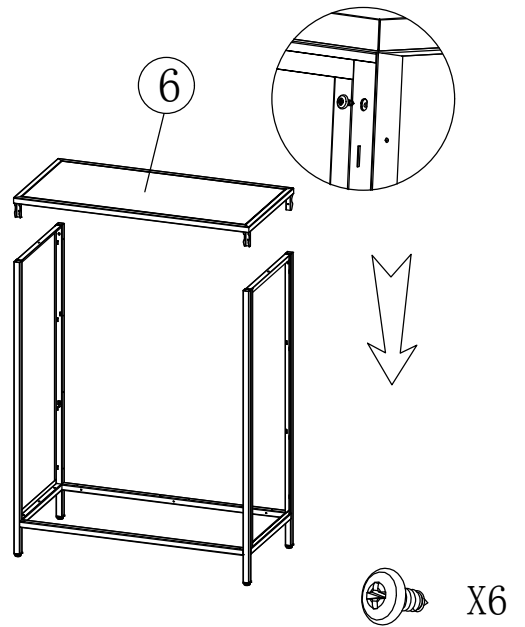
2



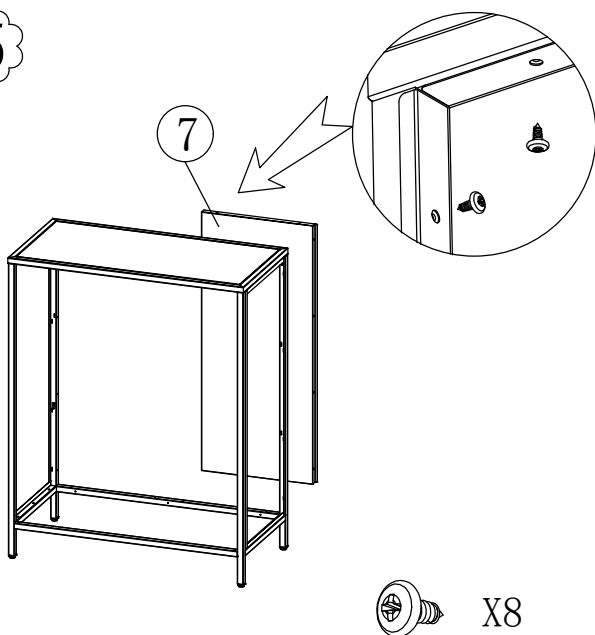
3



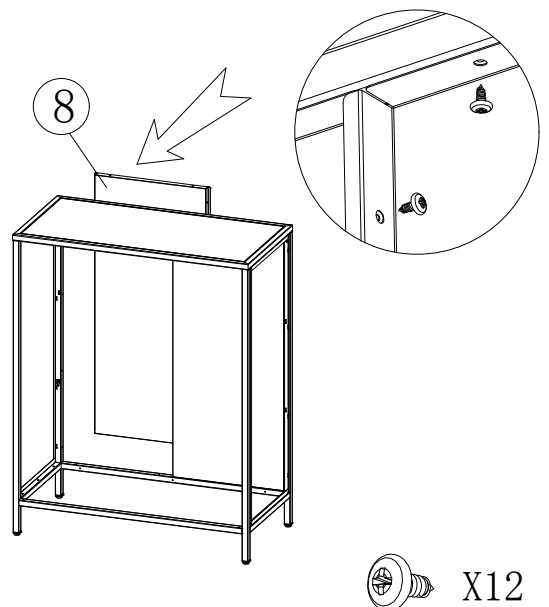
4



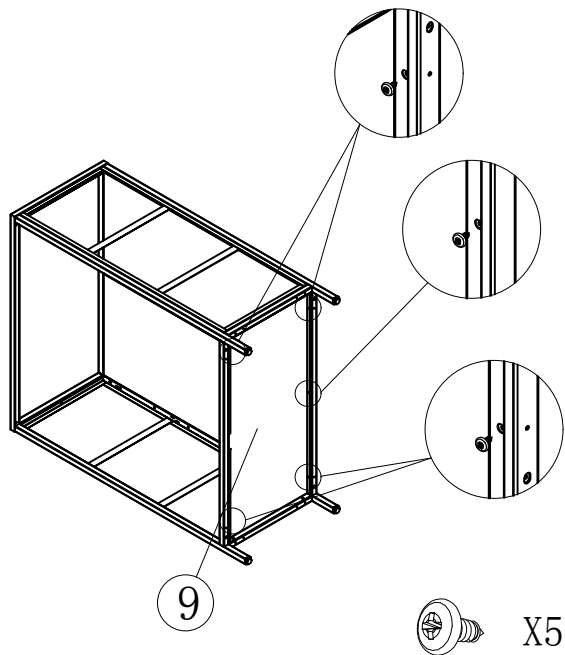
5



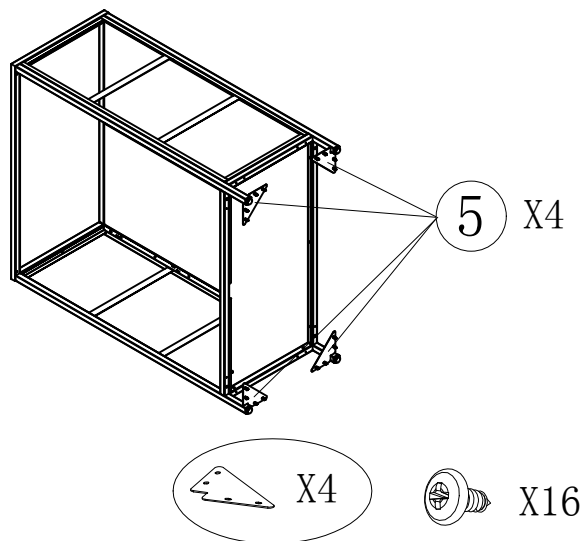
6



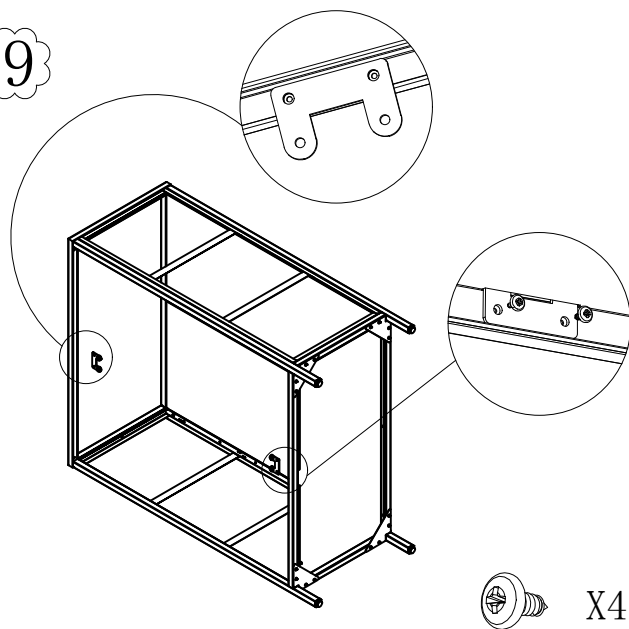
7



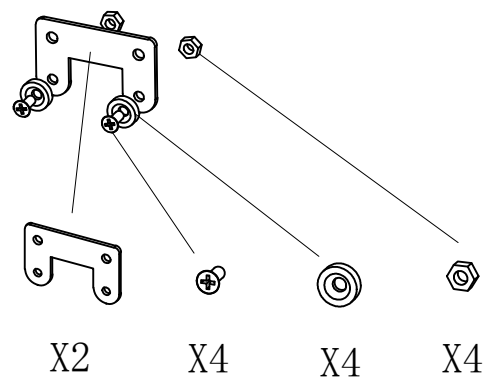
8



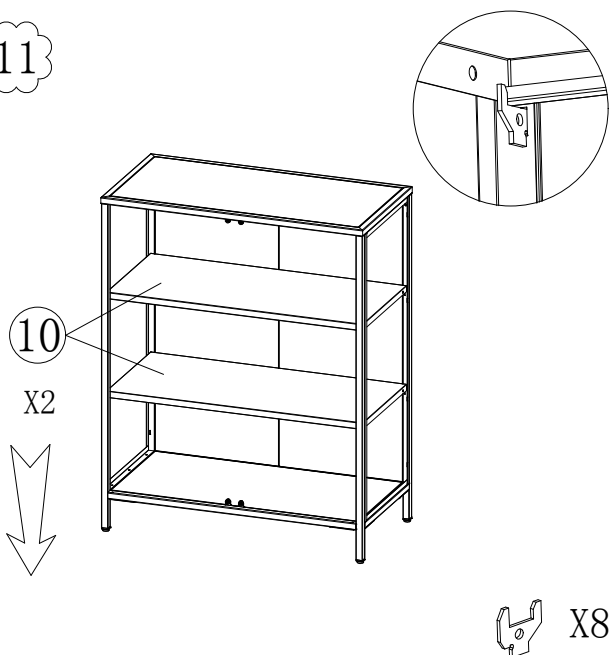
9



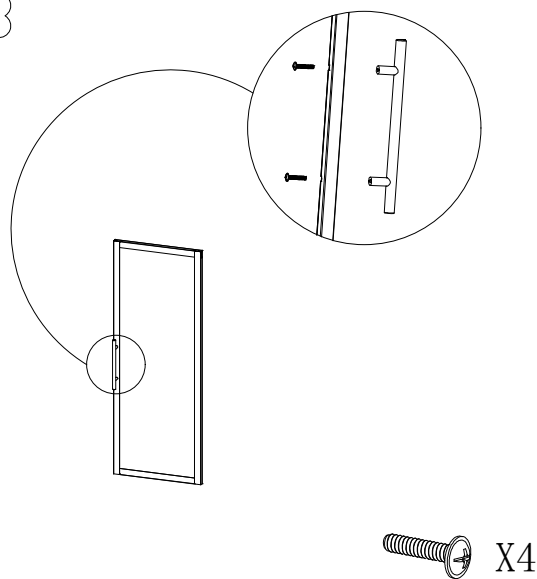
10



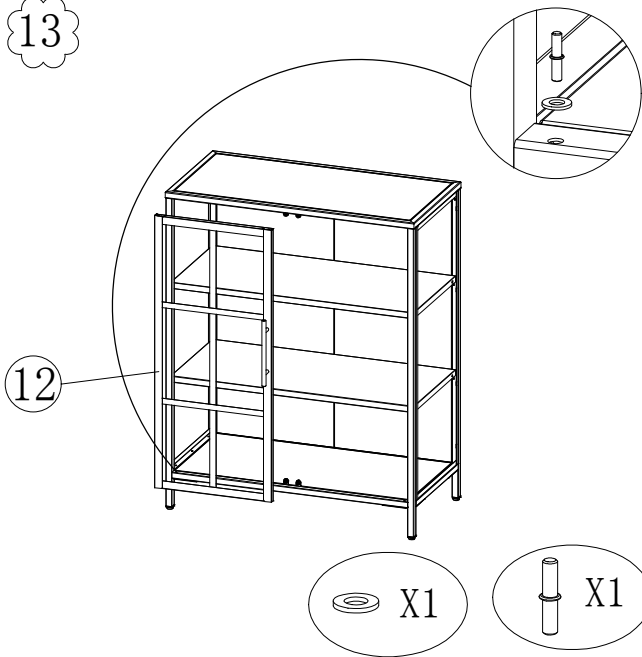
11



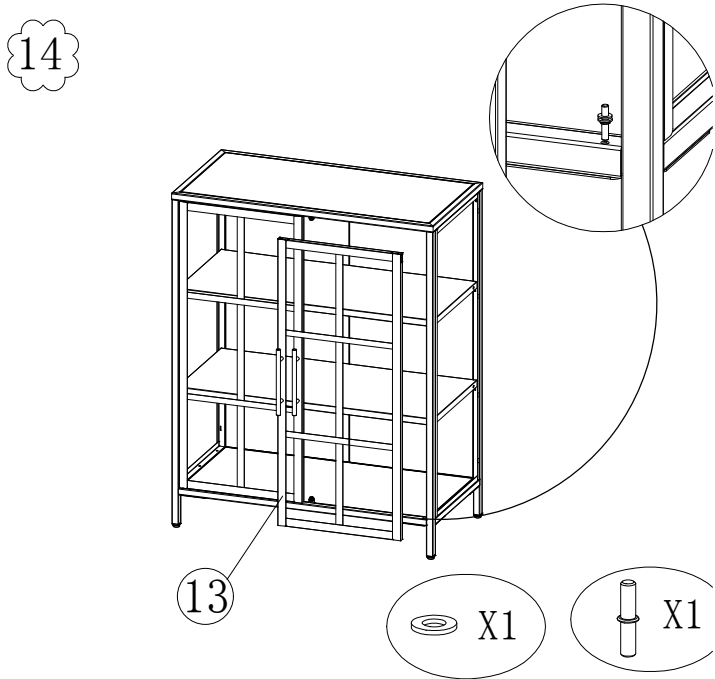
12



13

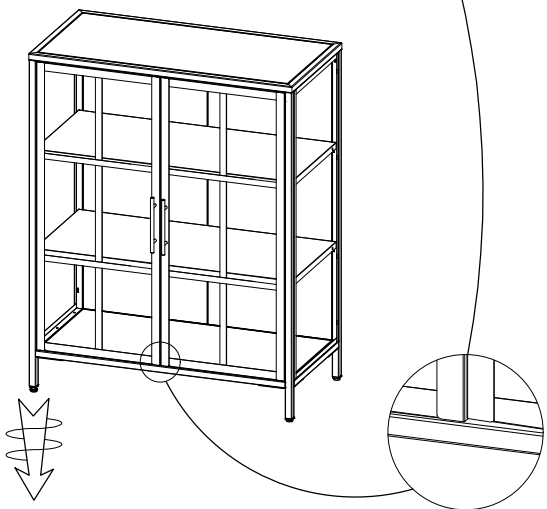


14

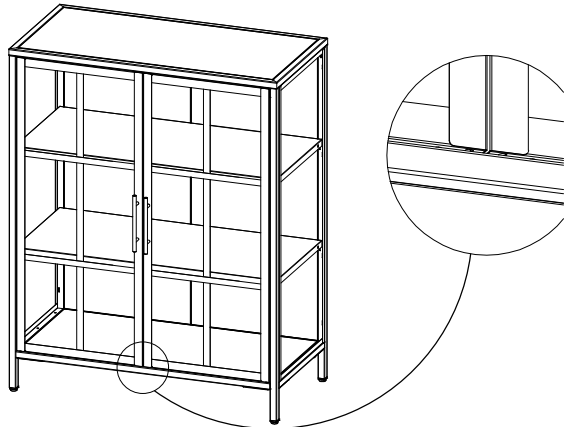


15

please adjust the feet caps to keep cabinet stable so the doors can work well



16



17

Anti topple wall fixing

