

# Lightweight Hydraulic Foot Pump

▼ Shown: P-392FP



- **Robust, durable and compact**
  - Steel frame for maximum stability
  - Steel pumping handle
  - Aluminium reservoir
- **Foot pedal lock and lightweight construction for portability**
- **Two-speed operation reduces foot pedal strokes**
- **Large foot-pad release valve for controlling load descent**
- **Internal pressure relief valve for overload protection**

▼ P-392FP offers the advantage of hands free operation to handle and control the tool or cylinder.



## P Series

Reservoir Capacity:

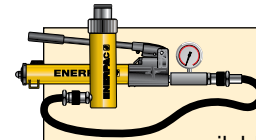
**38 in<sup>3</sup>**

Flow at Rated Pressure:

**.151 in<sup>3</sup>/stroke**

Maximum Operating Pressure:

**10,000 psi**



### Pump and Cylinder Sets

The P-392FP is available as sets (pump, cylinder, gauge, couplers and hose) for your ordering convenience.

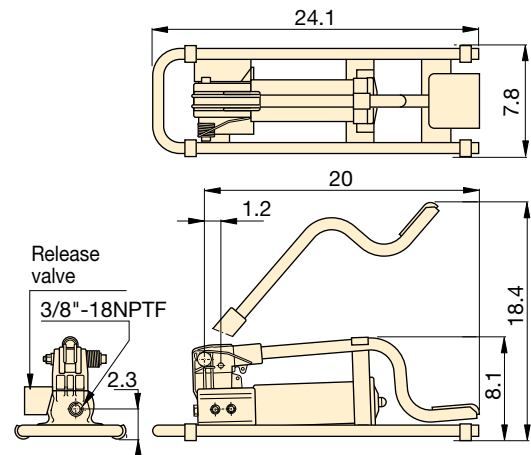
Page: 54



### Hoses

Enerpac offers a complete line of high quality hydraulic hoses. To ensure the integrity of your system, specify only genuine Enerpac hydraulic hoses.

Page: 114



Usable Oil Capacity (in <sup>3</sup> )	Model Number	Pressure Rating (psi)		Oil Displacement per Stroke (in <sup>3</sup> )		Max. Handle Effort (lbs)	Piston Stroke (in)	Weight (lbs)
		1st stage	2nd stage	1st stage	2nd stage			
30	P-392FP *	200	10,000	.687	.151	125	1	16

\* Available as set, see note on this page.