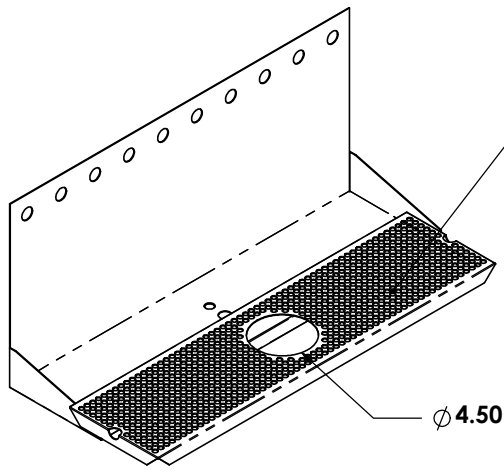


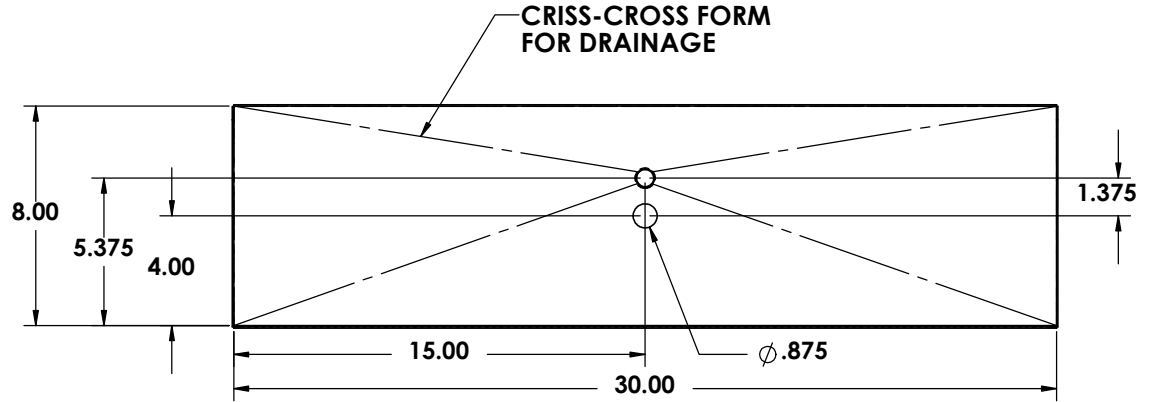
REVISIONS		DATE	APPROVED
ZONE	REV.	DESCRIPTION	

PLEASE FILL IN CORRECT MEASUREMENTS WHERE NEEDED!



PEFORATED SCREEN STANDARD

Ø 4.50

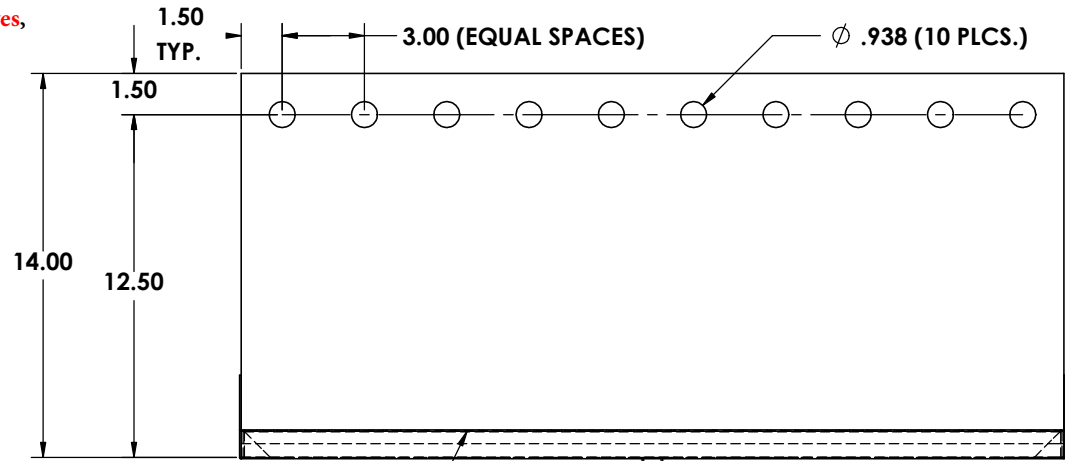
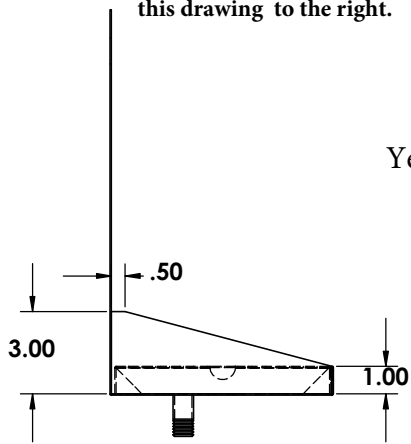


CRISS-CROSS FORM FOR DRAINAGE

Wall Mount Shown with Holes predrilled - Please Circle **Yes** or **No** if you want holes: If you select **yes**, Please write in the **hole quantity** and **spacing** on this drawing to the right.

Holes?

Yes No



HEMED FRONT EDGE

1/2" X 1 1/2" LONG NPT PIPE THREAD

Please Circle the desired options Below:

ALL DIMENSIONS ARE INSIDE DIMENSIONS UNLESS OTHERWISE NOTED

MATERIAL :

- 18 GAUGE STAINLESS STEEL
- 16 GAUGE STAINLESS STEEL
- 16 GAUGE BRASS

FINISHES :

- #2B SATIN ON ALL TYPES
- #4 BRUSHED ON ALL TYPES
- #8 POLISHED ON ALL TYPES



**Proprietary and Confidential**  
The Information contained in this drawing is the sole property of ACU Precision Sheet Metal. Any reproduction in part or as a whole without the written permission of ACU Precision Sheet Metal is Prohibited.  
ACU Precision Sheet Metal is:  
American Coffee Urn Manufacturing Co., Inc.

	NAME	DATE	TITLE: <b>WMDR WALL MOUNT W DRAIN &amp; RINSER (CUSTOM)</b>
DRAWN	M. Johs	07/14	
MATERIAL	SEE NOTES		<b>AMERICAN COFFEE URN</b>
FINISH	SEE NOTES	COMMENTS:	
DO NOT SCALE DRAWING			