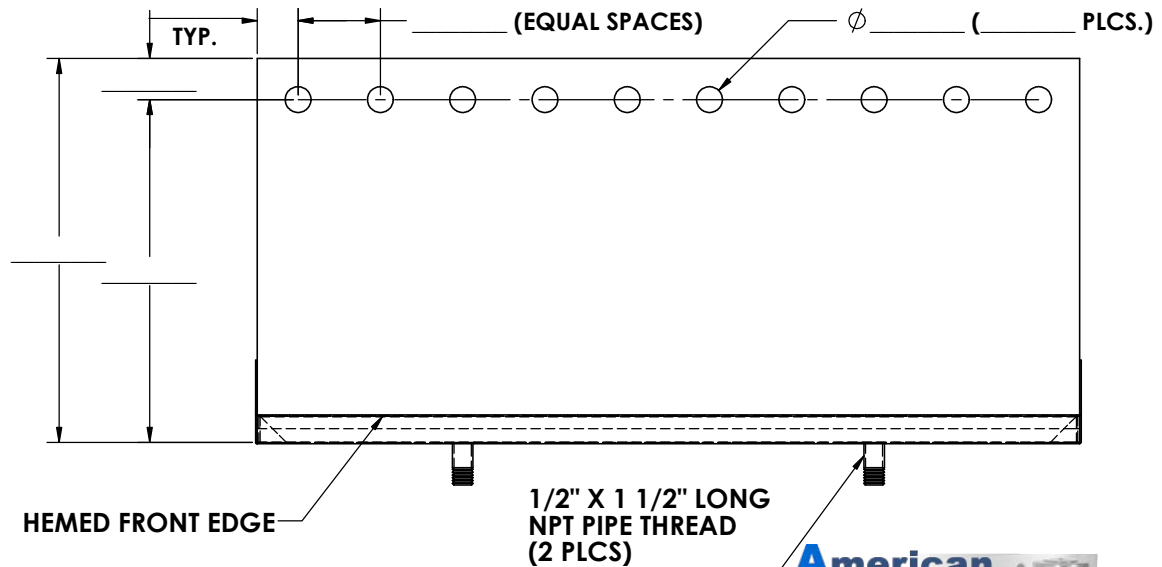
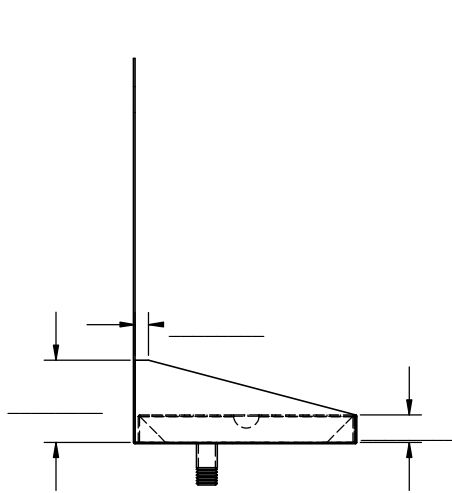
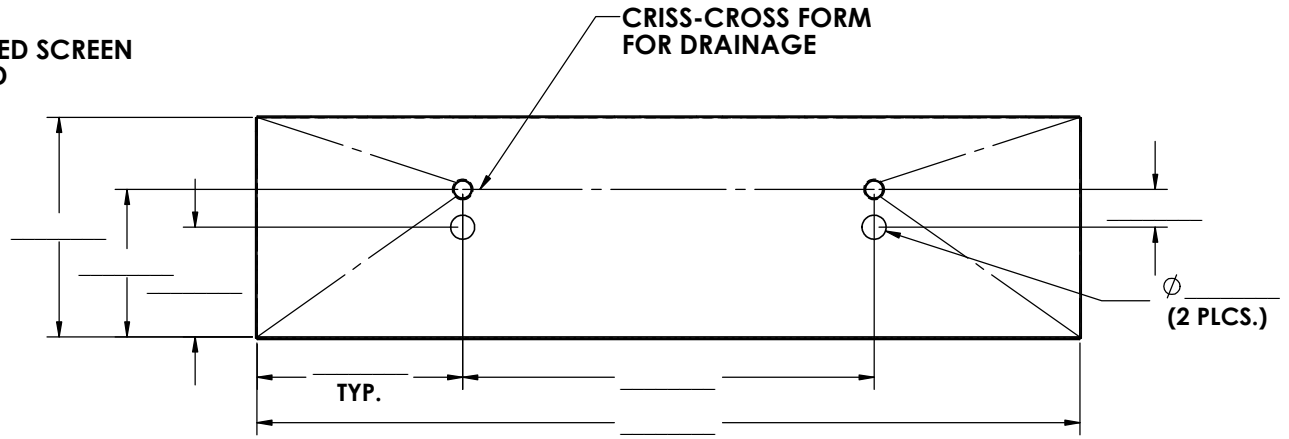
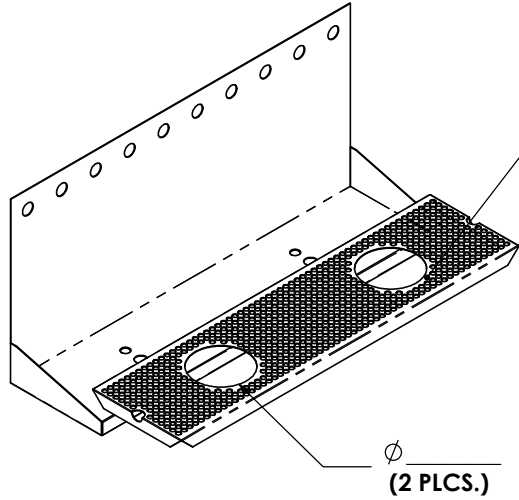


PLEASE FILL IN CORRECT MEASUREMENTS WHERE NEEDED!

REVISIONS		DATE	APPROVED
ZONE	REV.	DESCRIPTION	



Please Circle the desired options Below:

ALL DIMENSIONS ARE INSIDE DIMENSIONS UNLESS OTHERWISE NOTED

Wall Mount Shown with Holes predrilled - Please Circle Yes or No if you want holes: If you select yes, Please write in the hole quantity and spacing on this drawing above.

- MATERIAL :**
 18 GAUGE STAINLESS STEEL
 16 GAUGE STAINLESS STEEL
 16 GAUGE BRASS
- FINISHES :**
 #2B SATIN ON ALL TYPES
 #4 BRUSHED ON ALL TYPES
 #8 POLISHED ON ALL TYPES

Holes?
 Yes No

American Coffee
 Urn Manufacturing Co., Inc. Since 1959
Precision Sheet Metal
 Design ♦ Engineering ♦ Fabrication
 www.acumetalfab.com

Proprietary and Confidential
 The Information contained in this drawing is the sole property of ACU Precision Sheet Metal. Any reproduction in part or as a whole without the written permission of ACU Precision Sheet Metal is Prohibited.
 ACU Precision Sheet Metal is:
 American Coffee Urn Manufacturing Co., Inc.

	NAME	DATE
DRAWN	M. Johs	07/14
MATERIAL	SEE NOTES	
FINISH	SEE NOTES	COMMENTS:

TITLE:	WMDDR WALL MOUNT W DBL DRAIN & RINSER (CUSTOM)
	AMERICAN COFFEE URN