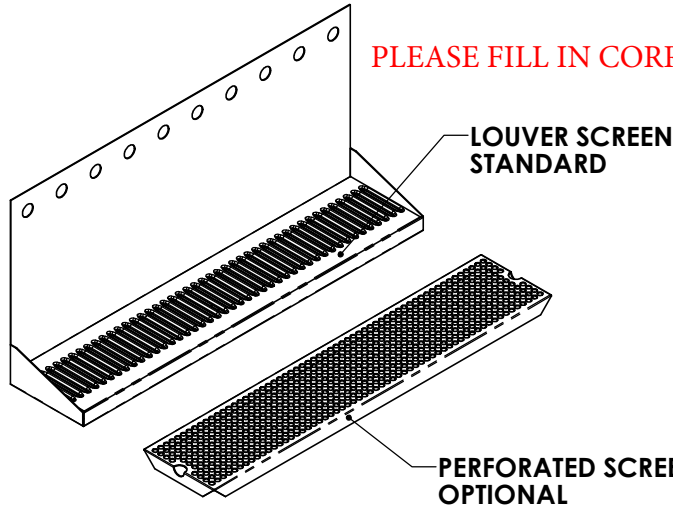


REVISIONS		DATE	APPROVED
ZONE	REV.	DESCRIPTION	

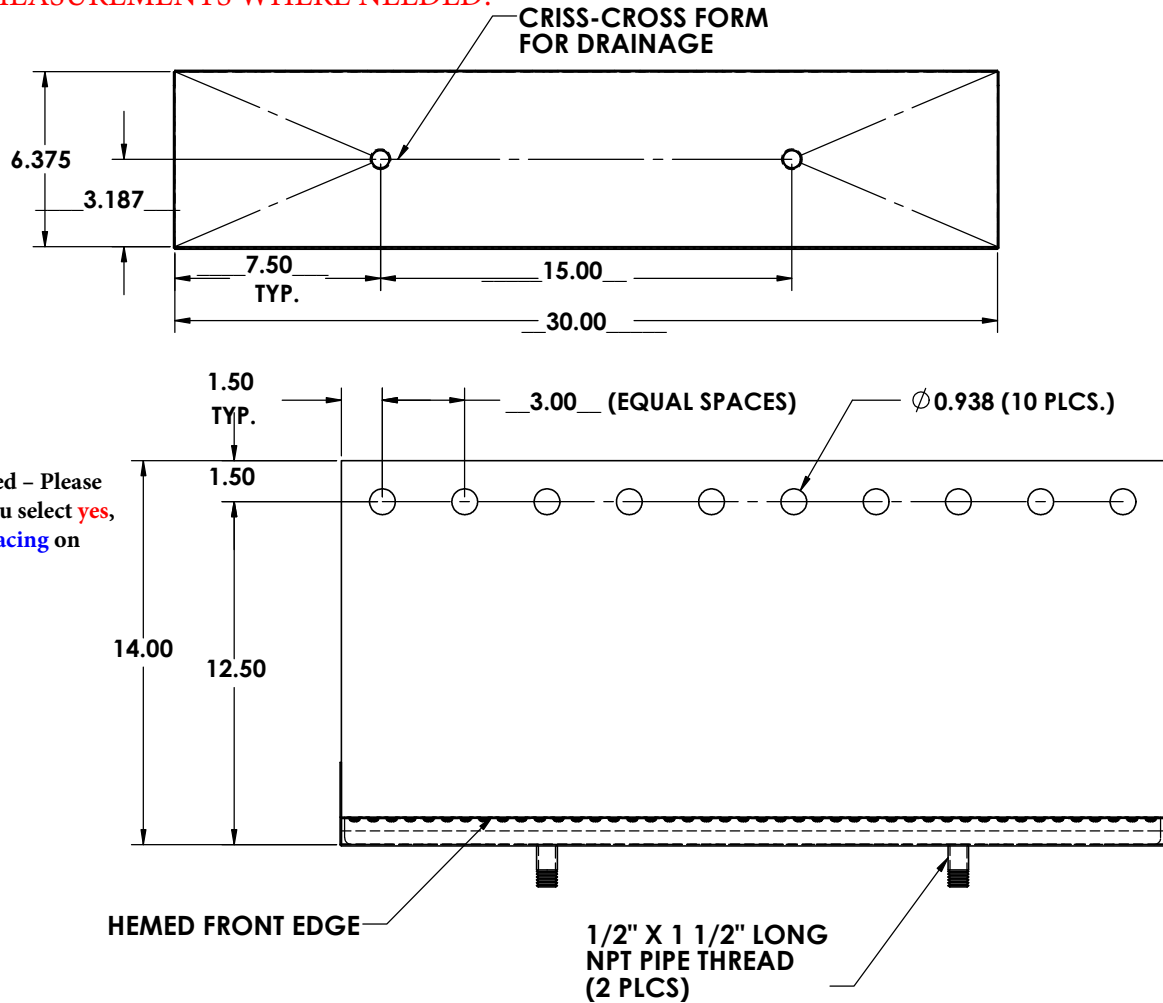
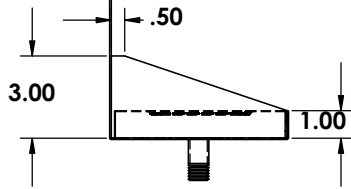
Please **Circle** the desired screen below:

PLEASE FILL IN CORRECT MEASUREMENTS WHERE NEEDED!



Wall Mount Shown with Holes predrilled - Please Circle **Yes** or **No** if you want holes: If you select **yes**, Please write in the **hole quantity** and **spacing** on this drawing to the right. ->

Holes?  
Yes      No



Please **Circle** the desired options Below:

ALL DIMENSIONS ARE INSIDE DIMENSIONS UNLESS OTHERWISE NOTED

**MATERIAL :**  
 18 GAUGE STAINLESS STEEL  
 16 GAUGE STAINLESS STEEL  
 16 GAUGE BRASS

**FINISHES :**  
 #2B SATIN ON ALL TYPES  
 #4 BRUSHED ON ALL TYPES  
 #8 POLISHED ON ALL TYPES



**Proprietary and Confidential**  
 The Information contained in this drawing is the sole property of ACU Precision Sheet Metal. Any reproduction in part or as a whole without the written permission of ACU Precision Sheet Metal is Prohibited.  
 ACU Precision Sheet Metal is:  
 American Coffee Urn Manufacturing Co., Inc.

	NAME	DATE	TITLE:
DRAWN	M. Johs	07/14	<b>WMDD WALL MOUNT W DBL DRAIN CUSTOM</b>
MATERIAL	SEE NOTES		
FINISH	SEE NOTES	COMMENTS:	<b>AMERICAN COFFEE URN</b>
DO NOT SCALE DRAWING			