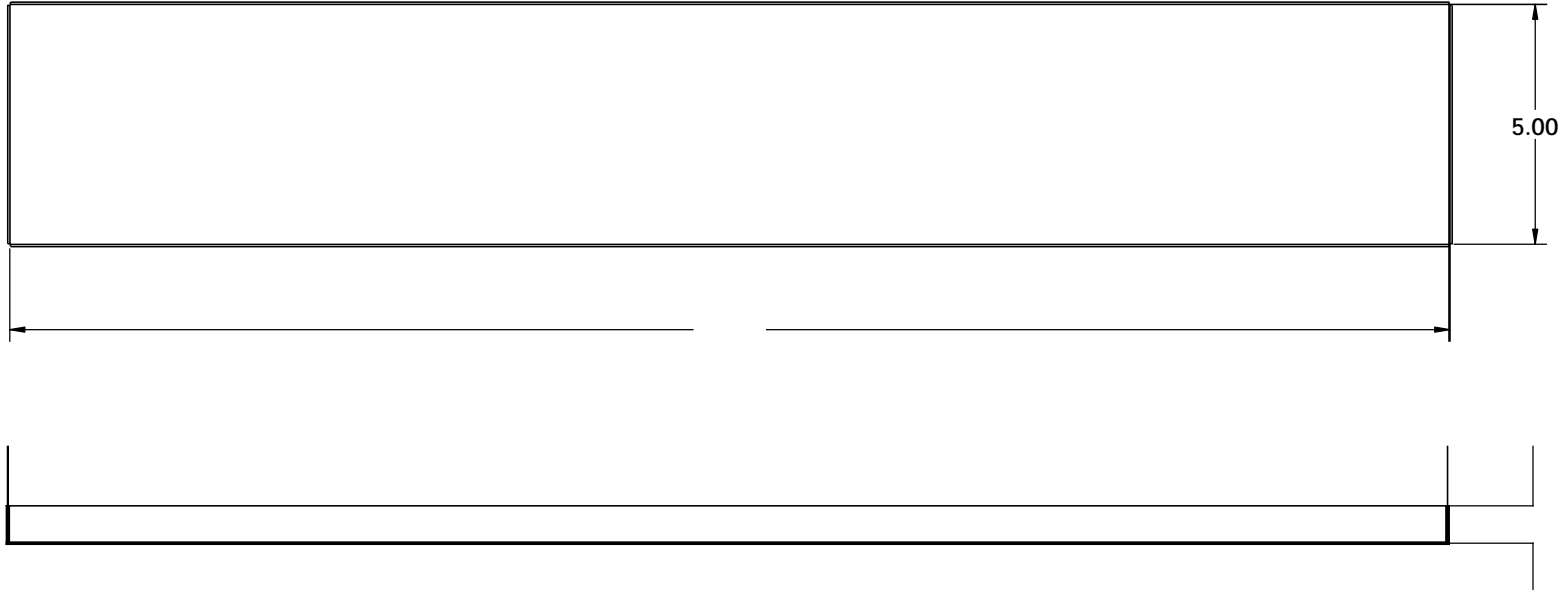


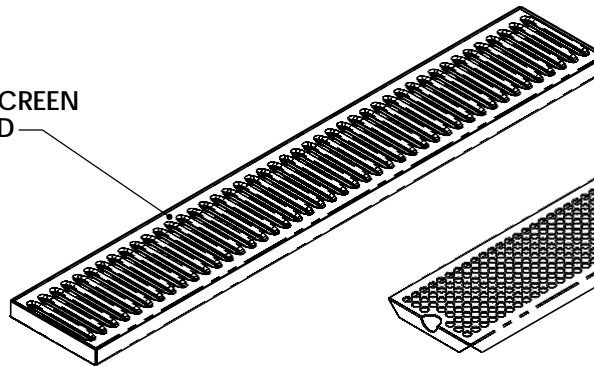
REVISIONS				
ZONE	REV.	DESCRIPTION	DATE	APPROVED

*Please **Fill in** the blank measurements below:*

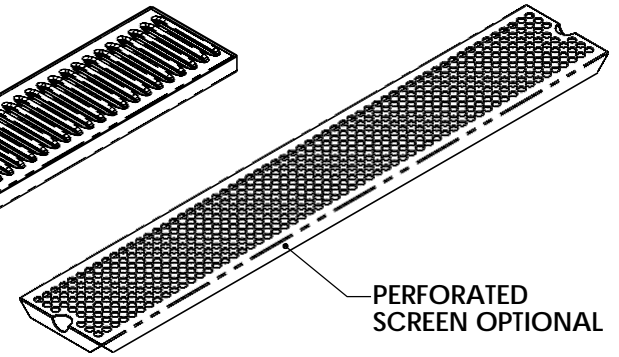


*Please **Circle** the desired screen below:*

LOUVER SCREEN
STANDARD



PERFORATED
SCREEN OPTIONAL



*Please **Circle** the desired options Below:*

ALL DIMENSIONS ARE INSIDE DIMENSIONS
UNLESS OTHERWISE NOTED

- MATERIAL :
- 18 GAUGE STAINLESS STEEL
 - 16 GAUGE STAINLESS STEEL
 - 16 GAUGE BRASS

- FINISHES :
- #4 BRUSHED ON ALL TYPES
 - #8 POLISHED ON ALL TYPES

Proprietary and Confidential
 The Information contained in this drawing is the sole property of ACU Precision Sheet Metal. Any reproduction in part or as a whole without the written permission of ACU Precision Sheet Metal is Prohibited.
 ACU Precision Sheet Metal is:
 American Coffee Urn Manufacturing Co., Inc.

	NAME	DATE	TITLE:
DRAWN	M. Johs	05/14	SM 5" SURFACE MOUNT CUSTOM 5" DRIP TRAY AMERICAN COFFEE URN
Material	SEE NOTES		
FINISH	SEE NOTES	COMMENTS:	
<small>DO NOT SCALE DRAWING</small>			