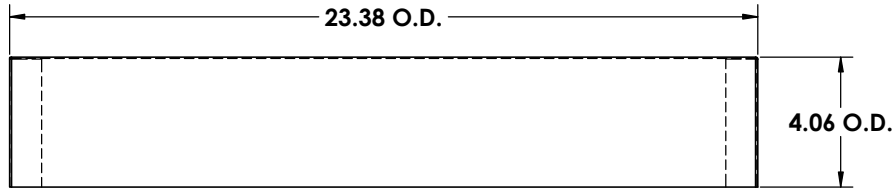
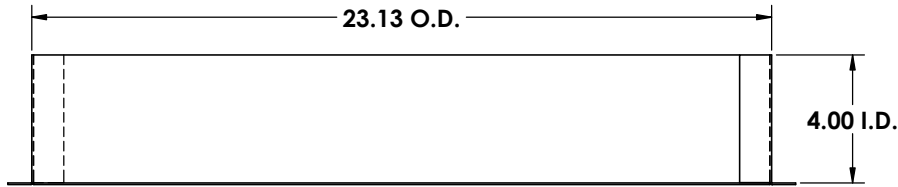


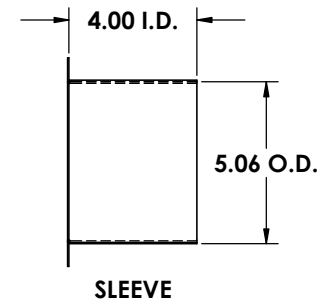
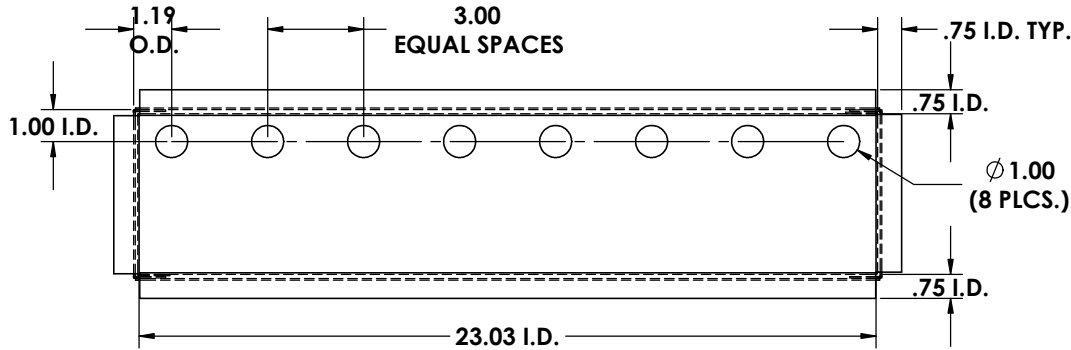
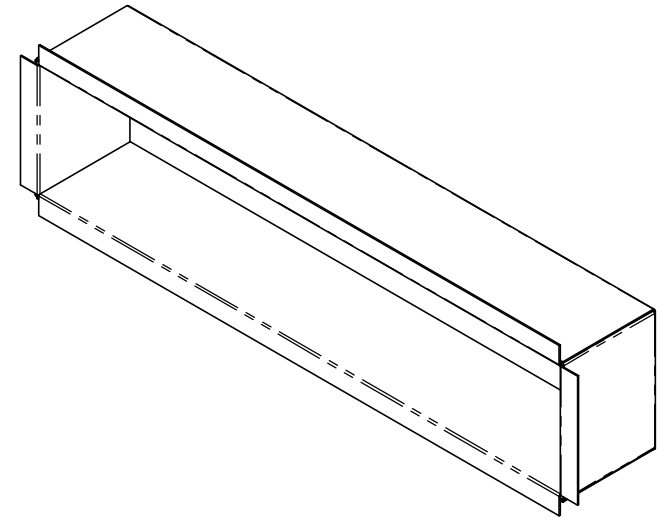
REV. NO.		REVISIONS	DATE	APPROVED
ZONE	REV.	DESCRIPTION		



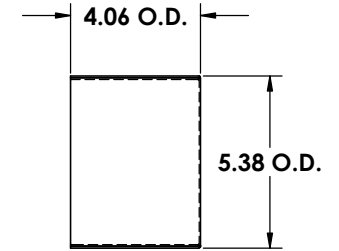
BOX



SLEEVE



SLEEVE



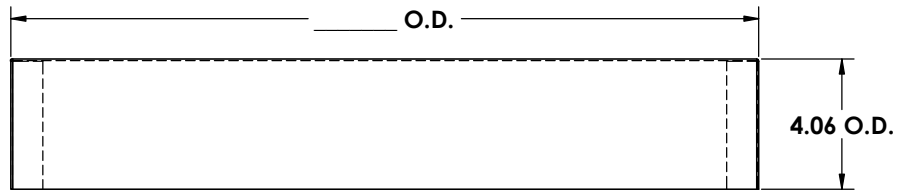
BOX

Proprietary and Confidential
 The Information contained in this drawing is the sole property of ACU Precision Sheet Metal. Any reproduction in part or as a whole without the written permission of ACU Precision Sheet Metal is Prohibited.
 ACU Precision Sheet Metal is:
 American Coffee Urn Manufacturing Co., Inc.

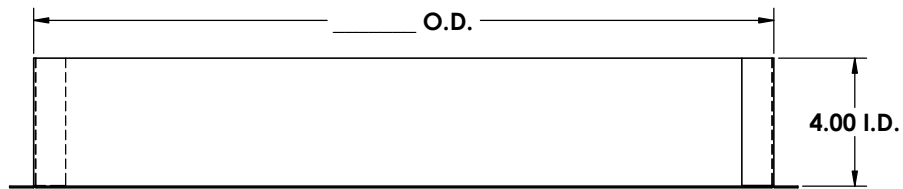
	NAME	DATE
DRAWN	M. Johs	08/14
MATERIAL	18 GA. (0.048) GALVANIZED STEEL	
FINISH	CLEAN AND BURR FREE	

TITLE:
SHADOW BOX 23" SHORT SLEEVE W/FAUCET HOLES
AMERICAN COFFEE URN

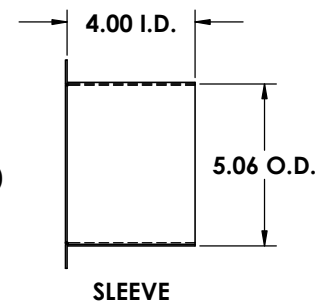
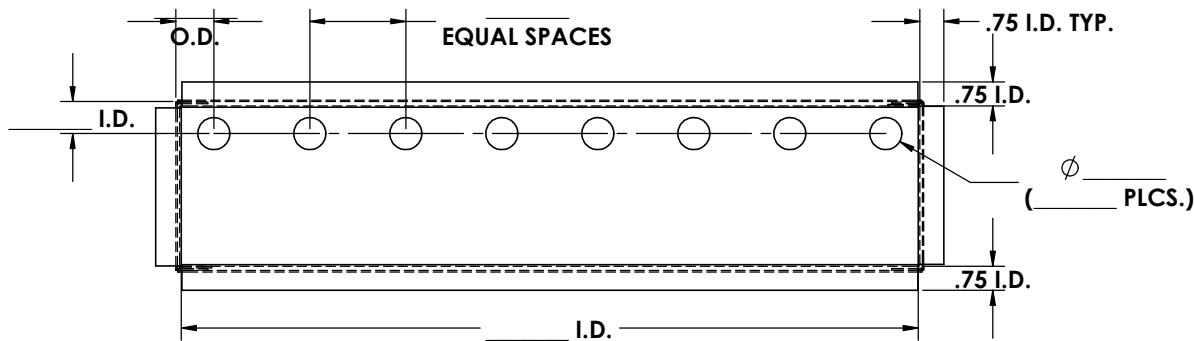
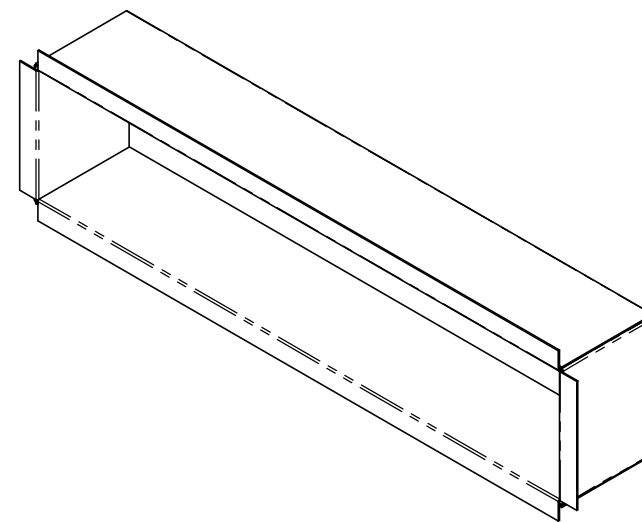
REV. NO.		REVISIONS	DATE	APPROVED
ZONE	REV.	DESCRIPTION		



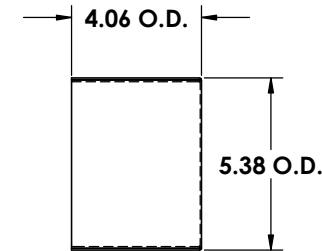
BOX



SLEEVE



SLEEVE



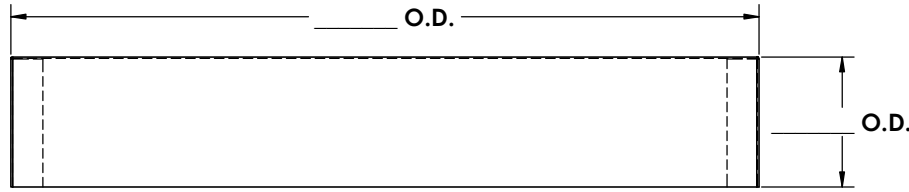
BOX

Proprietary and Confidential
 The Information contained in this drawing is the sole property of ACU Precision Sheet Metal. Any reproduction in part or as a whole without the written permission of ACU Precision Sheet Metal is Prohibited.
 ACU Precision Sheet Metal is:
 American Coffee Urn Manufacturing Co., Inc.

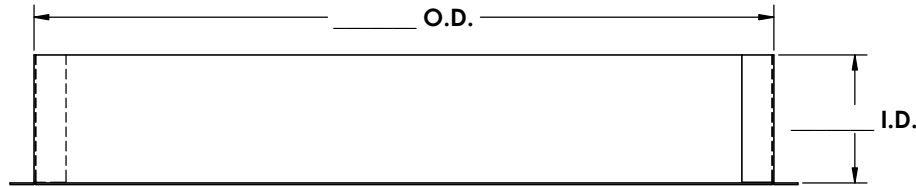
	NAME	DATE
DRAWN	M. Johs	08/14
MATERIAL	18 GA. (0.048) GALVANIZED STEEL	
FINISH	CLEAN AND BURR FREE	

TITLE:
SHADOW BOX CUSTOM SHORT SLEEVE W/FAUCET HOLES
AMERICAN COFFEE URN

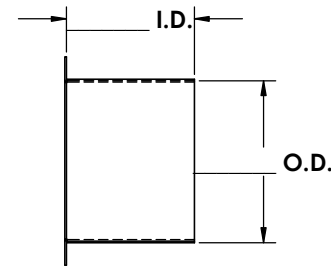
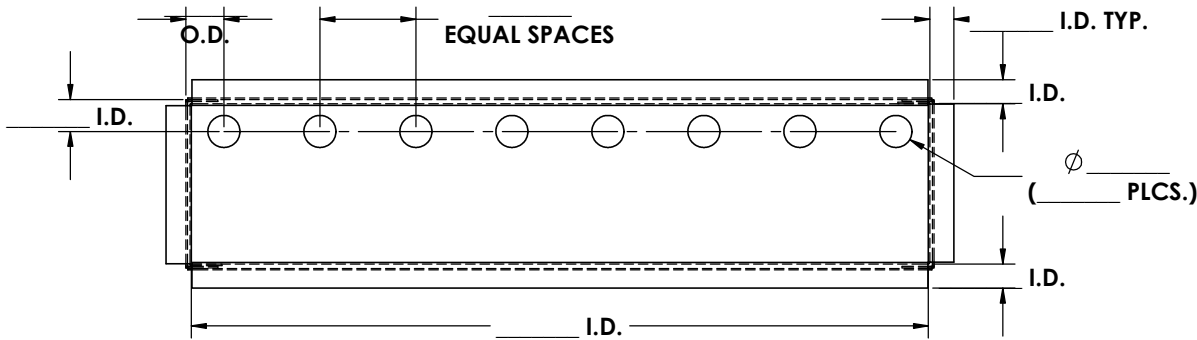
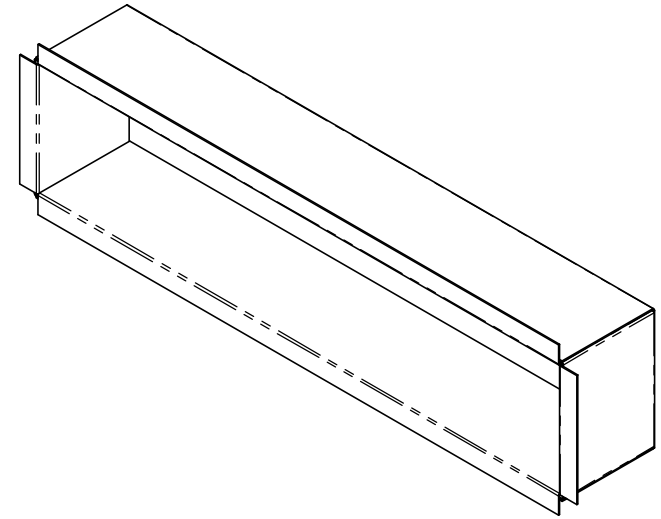
REV. NO.		REVISIONS	DATE	APPROVED
ZONE	REV.	DESCRIPTION		



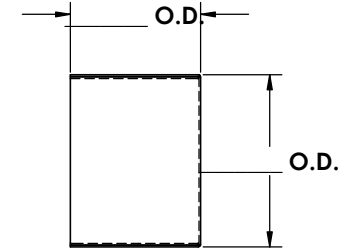
BOX



SLEEVE



SLEEVE



BOX

	NAME	DATE
DRAWN	M. Johs	08/14
MATERIAL	18 GA. (0.048) GALVANIZED STEEL	
FINISH	CLEAN AND BURR FREE	

TITLE:
SHADOW BOX CUSTOM W/FAUCET HOLES
AMERICAN COFFEE URN