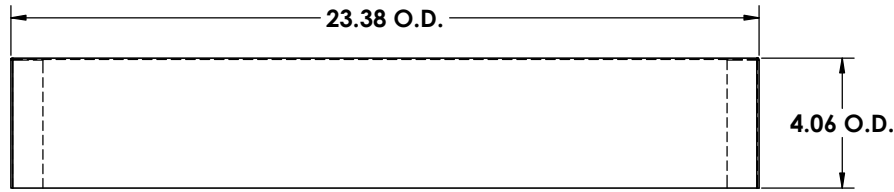
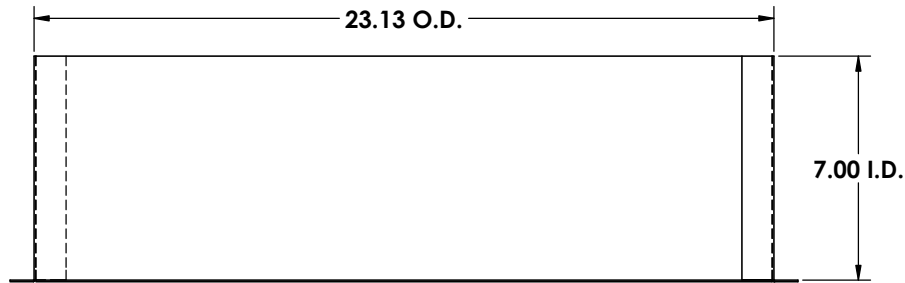


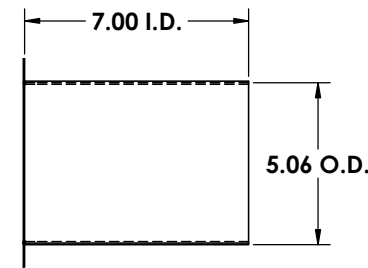
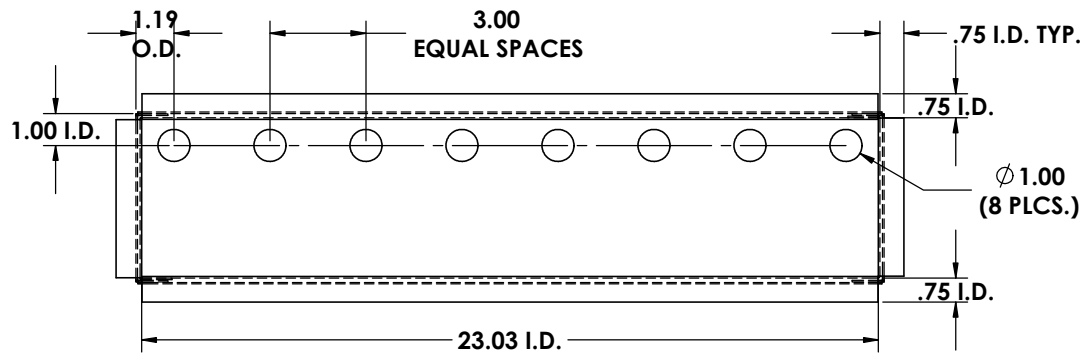
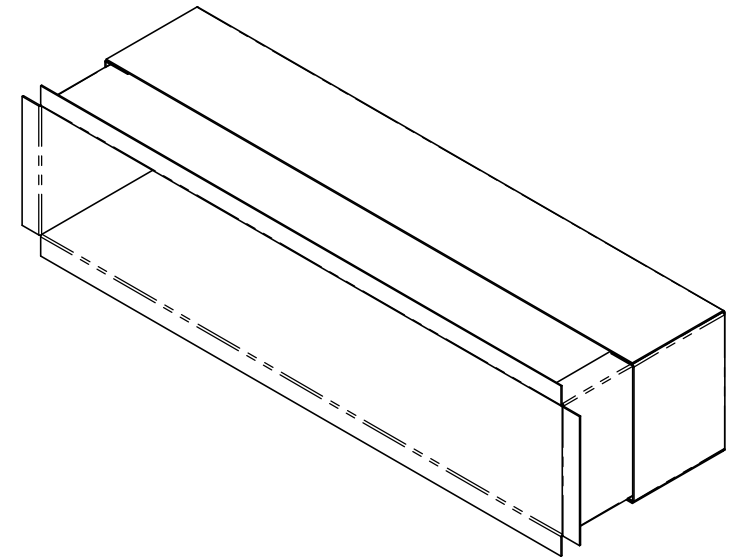
REV. NO.		REVISIONS	DATE	APPROVED



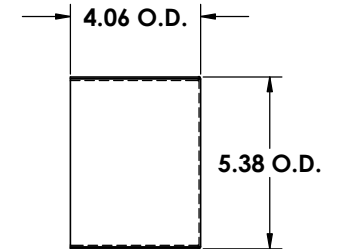
BOX



SLEEVE



SLEEVE



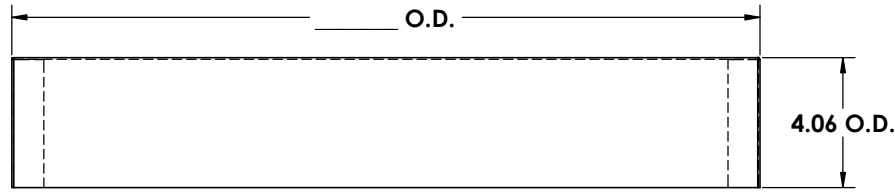
BOX

**Proprietary and Confidential**  
 The Information contained in this drawing is the sole property of ACU Precision Sheet Metal. Any reproduction in part or as a whole without the written permission of ACU Precision Sheet Metal is Prohibited.  
 ACU Precision Sheet Metal is:  
 American Coffee Urn Manufacturing Co., Inc.

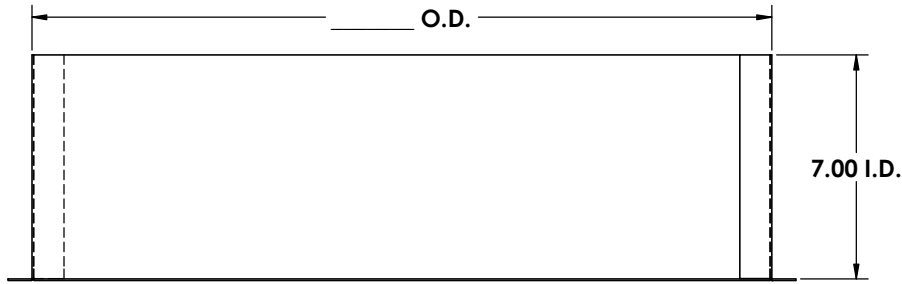
	NAME	DATE
DRAWN	M. Johs	09/11
MATERIAL	18 GA. (0.048) GALVANIZED STEEL	
FINISH	CLEAN AND BURR FREE	

TITLE:
<b>SHADOW BOX 23" LONG SLEEVE W/FAUCET HOLES</b>
<b>AMERICAN COFFEE URN</b>

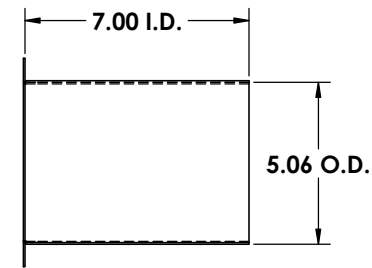
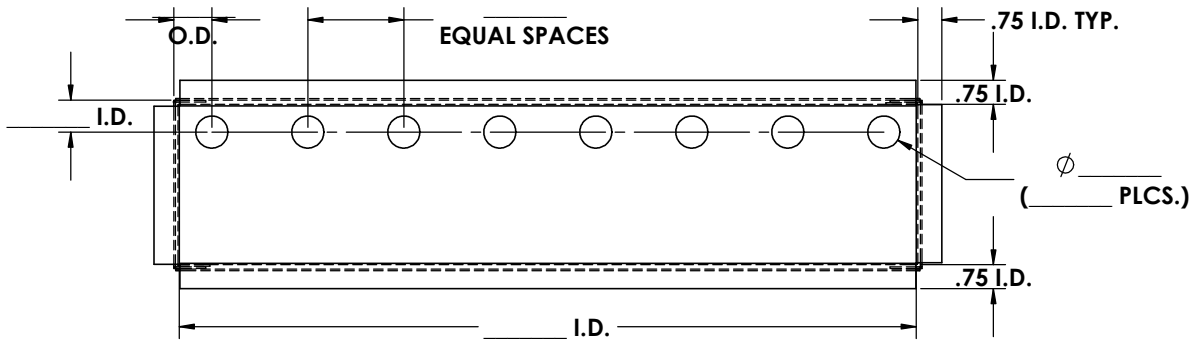
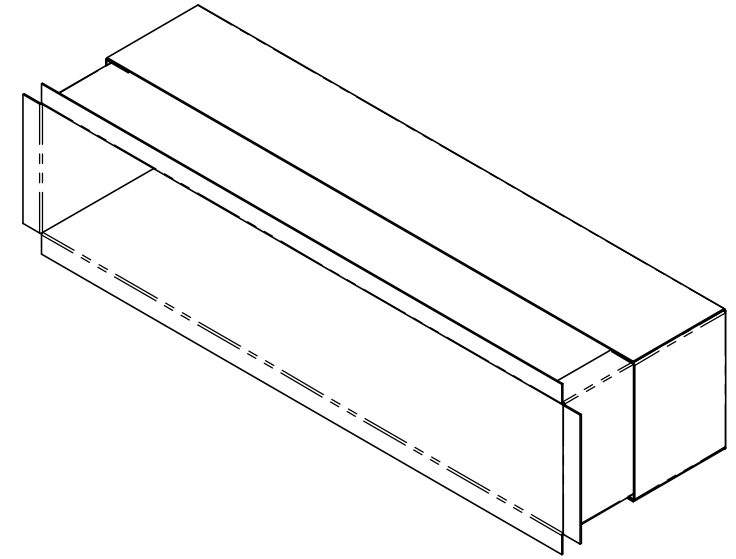
REV. NO.		REVISIONS	DATE	APPROVED



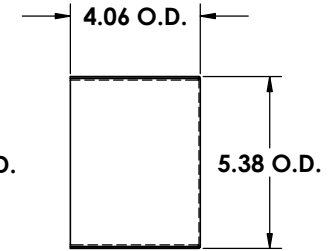
BOX



SLEEVE



SLEEVE



BOX

	NAME	DATE
DRAWN	M. Johs	09/11
MATERIAL	18 GA. (0.048) GALVANIZED STEEL	
FINISH	CLEAN AND BURR FREE	

TITLE:
<b>SHADOW BOX CUSTOM LONG SLEEVE W/FAUCET HOLES</b>
<b>AMERICAN COFFEE URN</b>