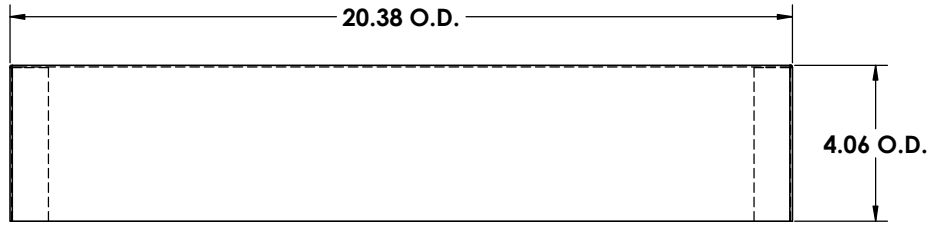
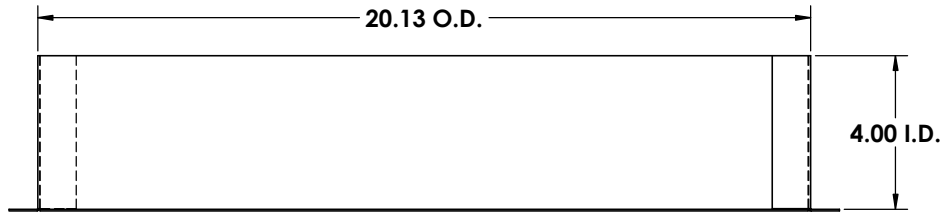
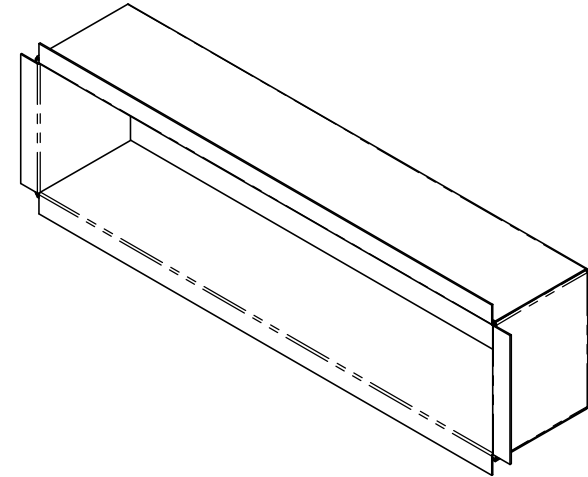


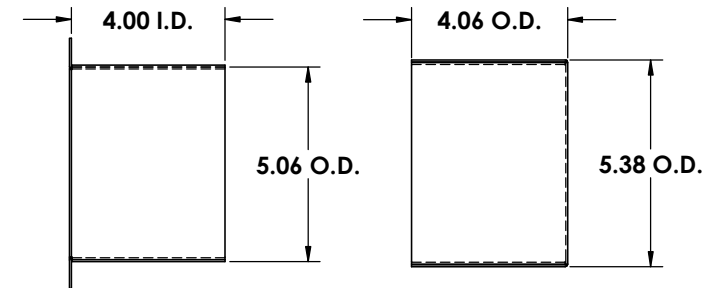
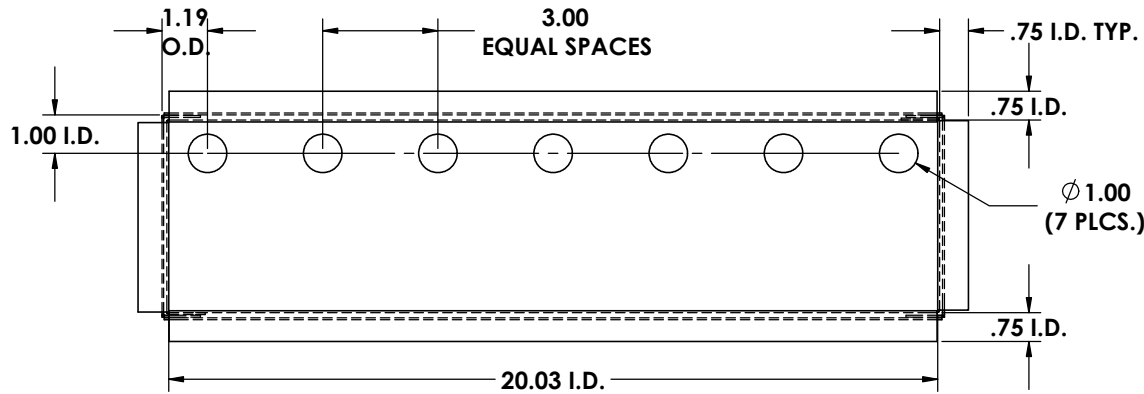
REV. NO.		REVISIONS	DATE	APPROVED
ZONE	REV.	DESCRIPTION		



BOX



SLEEVE



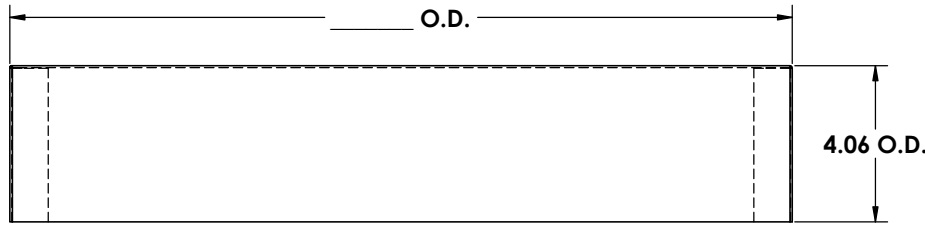
SLEEVE

BOX

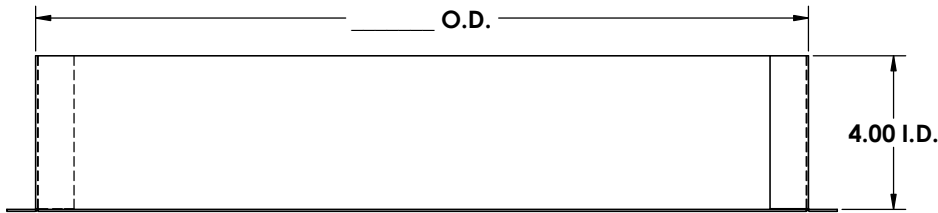
	NAME	DATE
DRAWN	M. Johs	08/14
MATERIAL	18 GA. (0.048) GALVANIZED STEEL	
FINISH	CLEAN AND BURR FREE	

TITLE:
SHADOW BOX 20" SHORT SLEEVE W/FAUCET HOLES
AMERICAN COFFEE URN

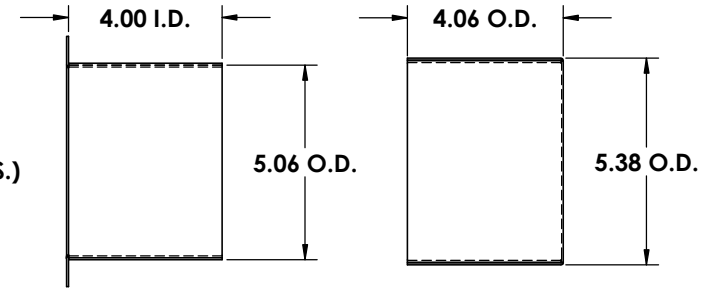
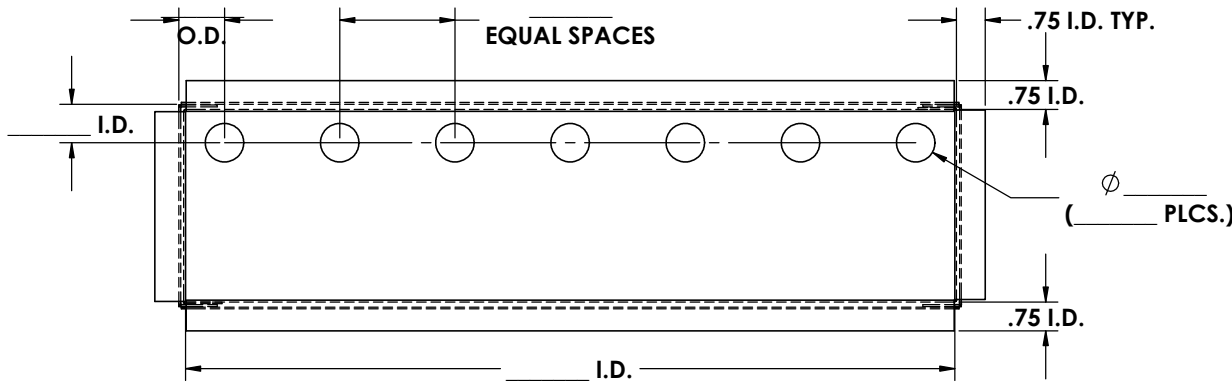
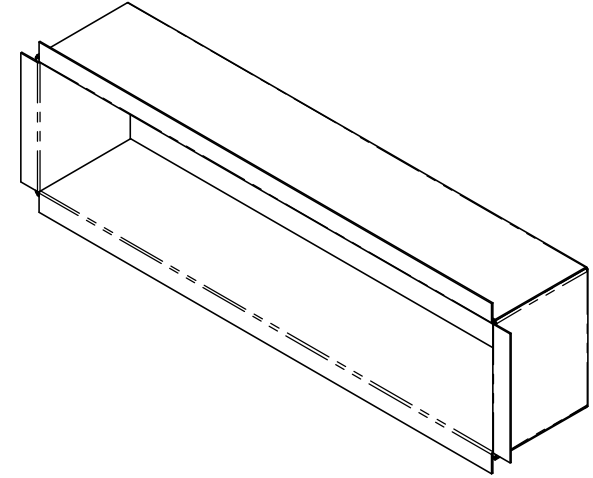
REVISIONS		DATE	APPROVED
ZONE	REV.	DESCRIPTION	



BOX



SLEEVE



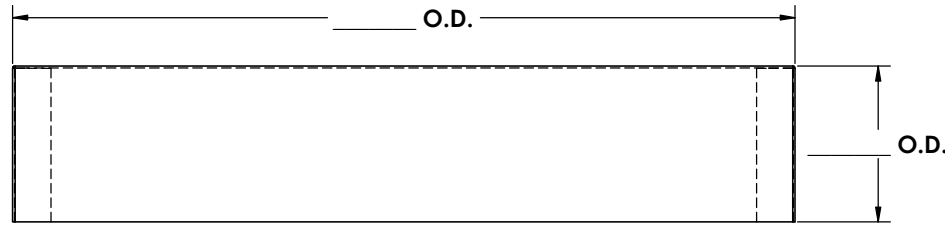
SLEEVE

BOX

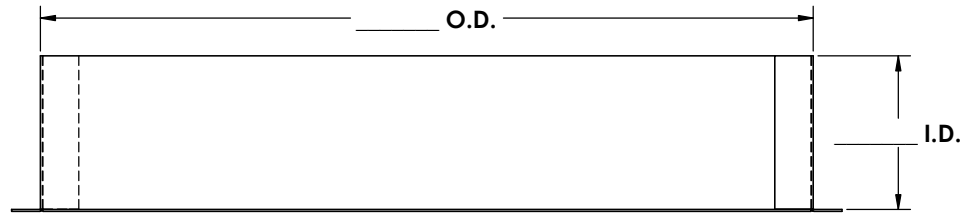
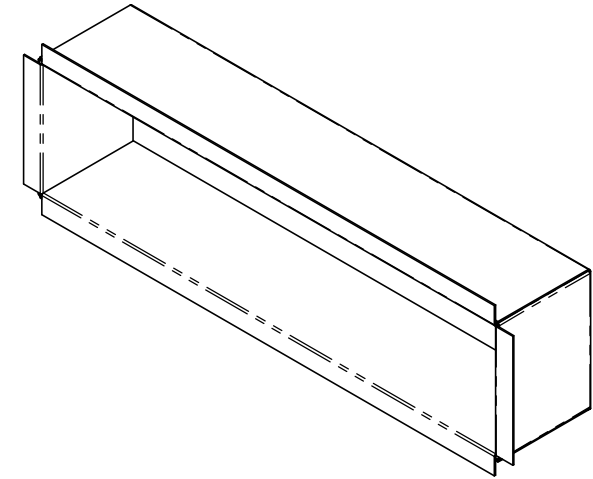
	NAME	DATE
DRAWN	M. Johs	08/14
MATERIAL	18 GA. (0.048) GALVANIZED STEEL	
FINISH	CLEAN AND BURR FREE	

TITLE:
SHADOW BOX CUSTOM SHORT SLEEVE W/FAUCET HOLES
AMERICAN COFFEE URN

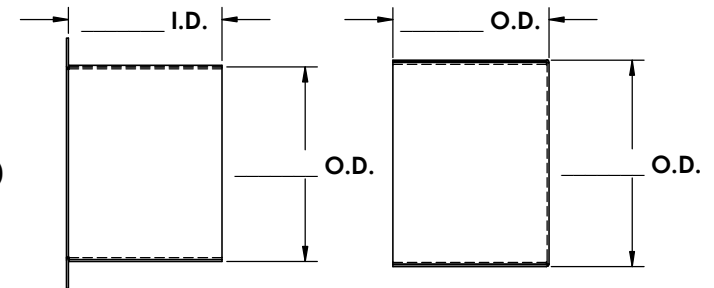
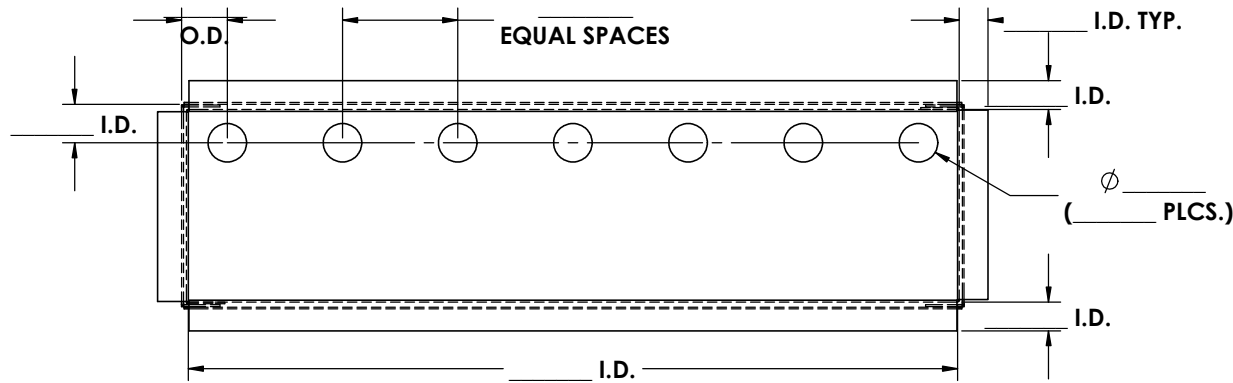
REV. NO.		REVISIONS	DATE	APPROVED
ZONE	REV.	DESCRIPTION		



BOX



SLEEVE



SLEEVE

BOX

Proprietary and Confidential
 The Information contained in this drawing is the sole property of ACU Precision Sheet Metal. Any reproduction in part or as a whole without the written permission of ACU Precision Sheet Metal is Prohibited.
 ACU Precision Sheet Metal is:
 American Coffee Urn Manufacturing Co., Inc.

	NAME	DATE
DRAWN	M. Johs	08/14
MATERIAL	18 GA. (0.048) GALVANIZED STEEL	
FINISH	CLEAN AND BURR FREE	

TITLE:
SHADOW BOX CUSTOM W/FAUCET HOLES
AMERICAN COFFEE URN