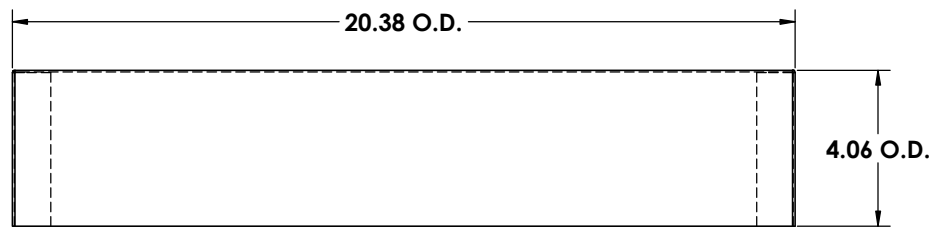
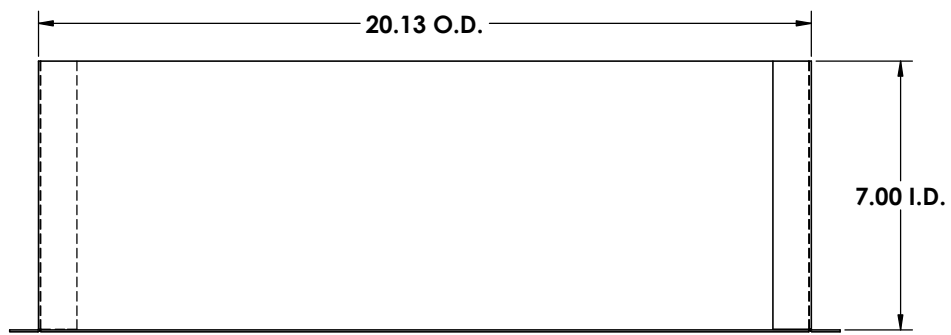


REVISES		DATE	APPROVED
ZONE	REV.	DESCRIPTION	

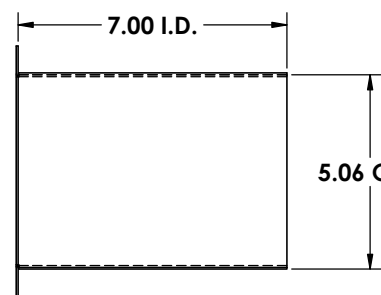
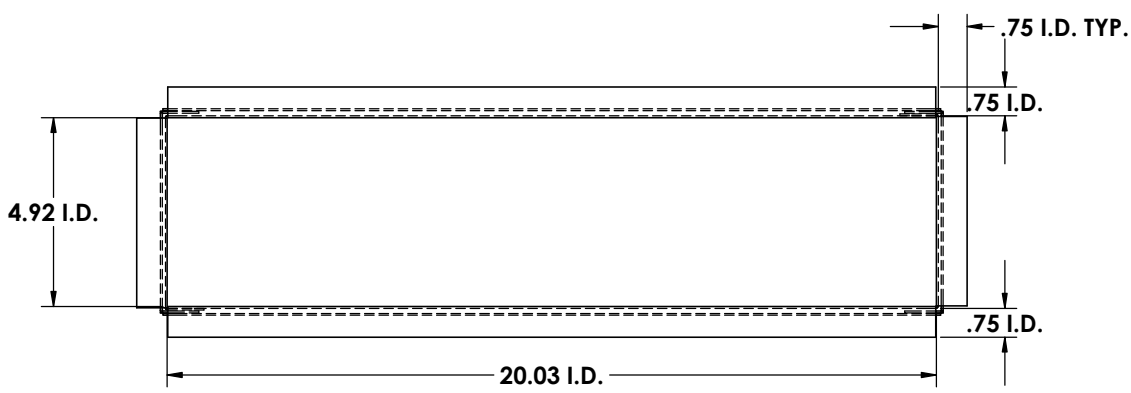
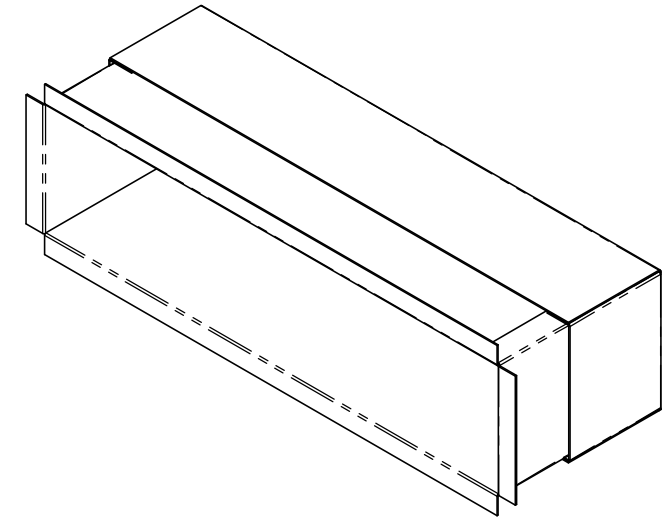
www.acumetalfab.com



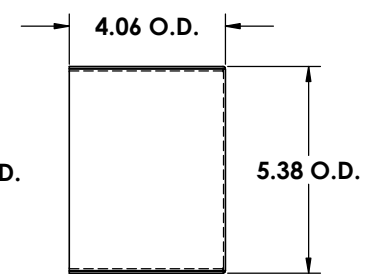
BOX



SLEEVE



SLEEVE



BOX

American Coffee
Urn Manufacturing Co., Inc.
 Precision Sheet Metal
 Design ♦ Engineering ♦ Fabrication
 www.acumetalfab.com

Since 1959

Part # 0491-L

Proprietary and Confidential
 The Information contained in this drawing is the sole property of ACU Precision Sheet Metal. Any reproduction in part or as a whole without the written permission of ACU Precision Sheet Metal is Prohibited.
 ACU Precision Sheet Metal is:
 American Coffee Urn Manufacturing Co., Inc.

	NAME	DATE
DRAWN	M. Johs	07/14
MATERIAL	18 GA. (0.048) GALVANIZED STEEL	
FINISH	CLEAN AND BURR FREE	

TITLE:
SHADOW BOX 20" LONG SLEEVE
AMERICAN COFFEE URN

DO NOT SCALE DRAWING