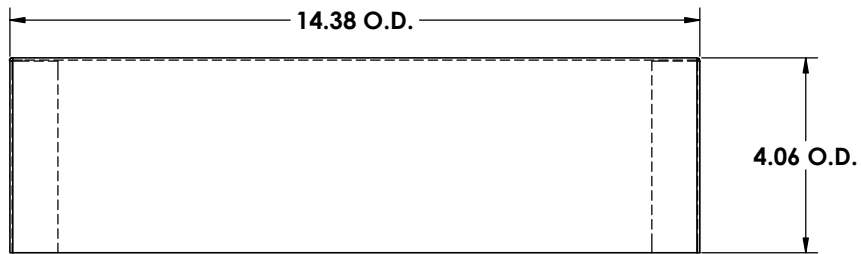
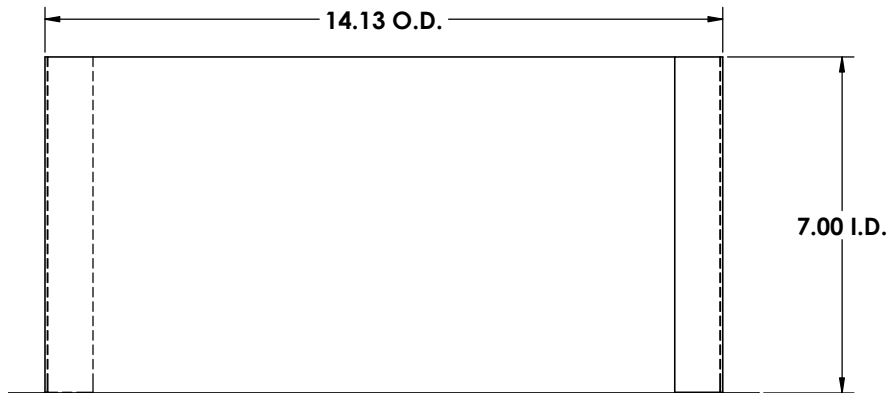


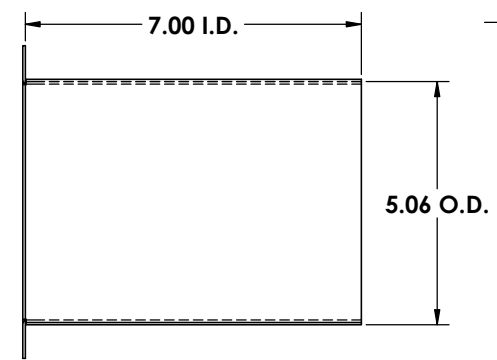
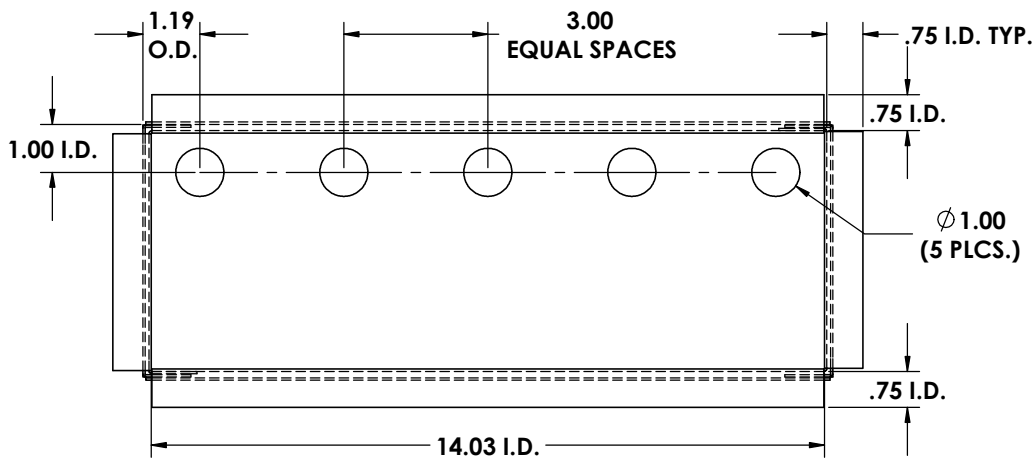
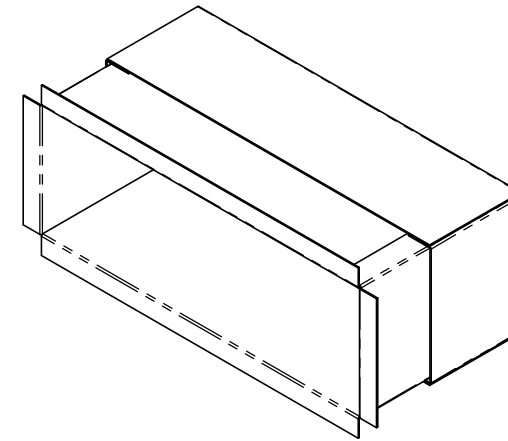
REV. NO.		REVISIONS	DATE	APPROVED
ZONE	REV.	DESCRIPTION		



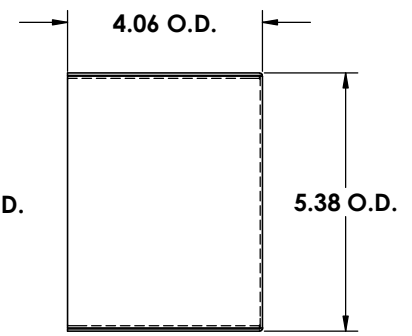
BOX



SLEEVE



SLEEVE



BOX

**American Coffee**  
**Urn Manufacturing Co., Inc.**  
 Precision Sheet Metal  
 Design ♦ Engineering ♦ Fabrication  
 www.acumetalfab.com

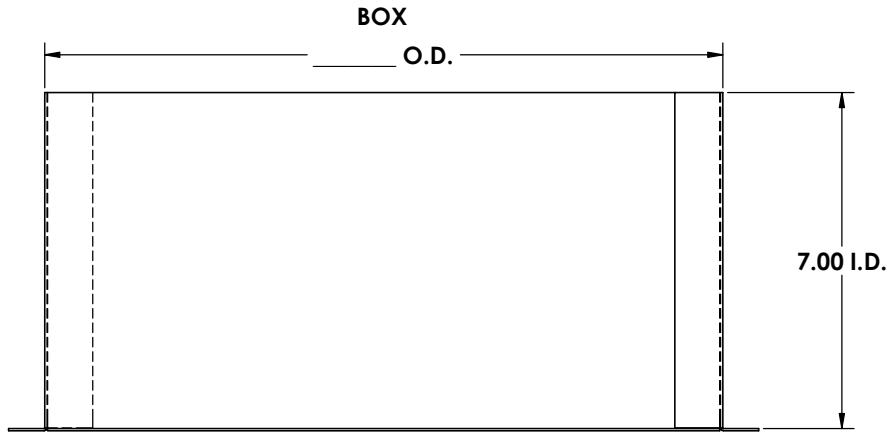
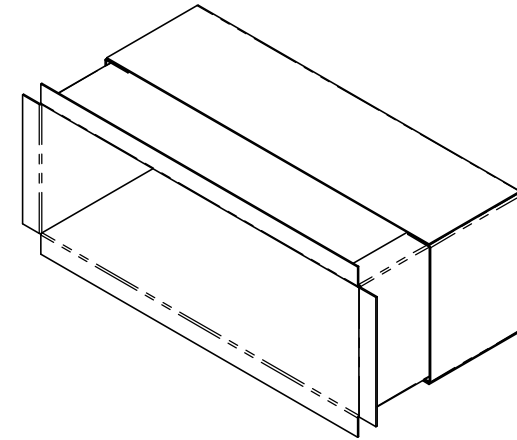
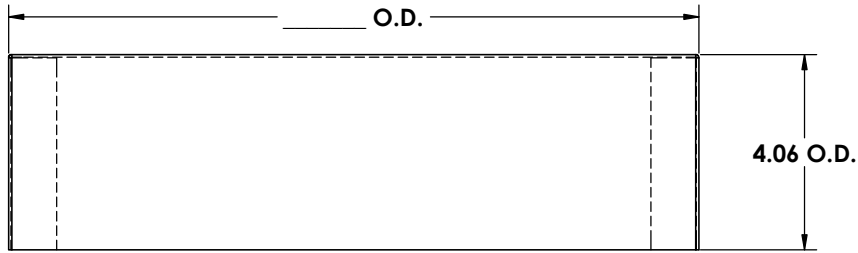
*Since 1959*

**Proprietary and Confidential**  
 The Information contained in this drawing is the sole property of ACU Precision Sheet Metal. Any reproduction in part or as a whole without the written permission of ACU Precision Sheet Metal is Prohibited.  
 ACU Precision Sheet Metal is:  
 American Coffee Urn Manufacturing Co., Inc.

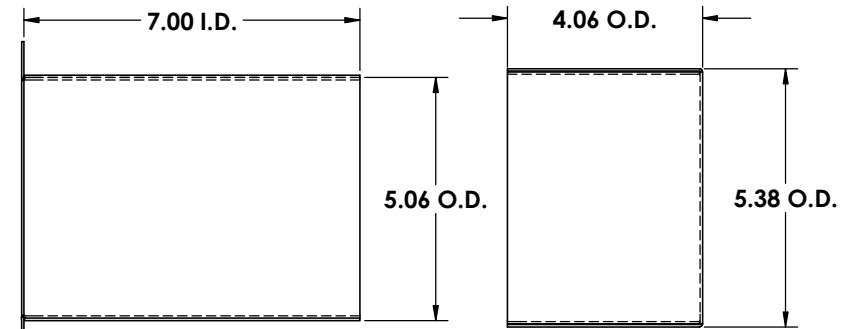
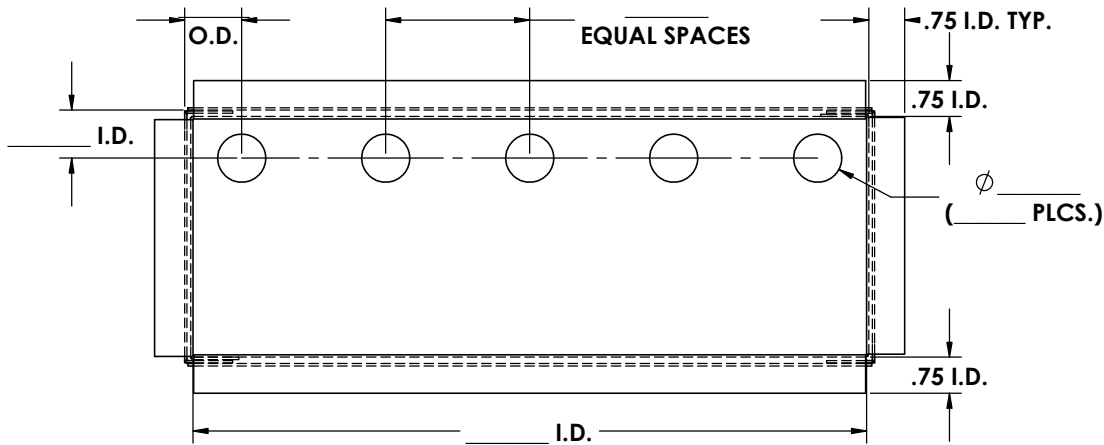
	NAME	DATE
DRAWN	M. Johs	08/14
MATERIAL	18 GA. (0.048) GALVANIZED STEEL	
FINISH	CLEAN AND BURR FREE	

TITLE:
<b>SHADOW BOX 14" LONG SLEEVE W/FAUCET HOLES</b>
<b>AMERICAN COFFEE URN</b>

REV. NO.		REVISIONS	DATE	APPROVED
ZONE	REV.	DESCRIPTION		



SLEEVE



SLEEVE

BOX

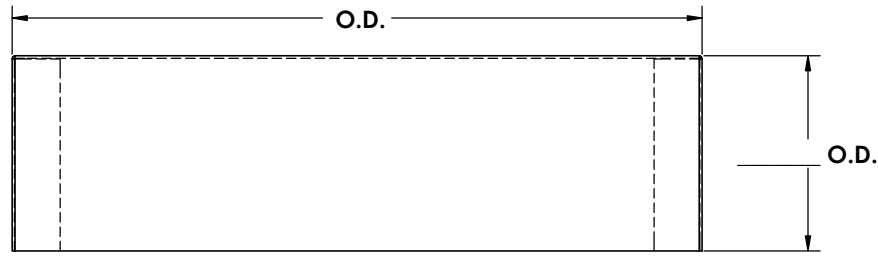
**Proprietary and Confidential**  
 The Information contained in this drawing is the sole property of ACU Precision Sheet Metal. Any reproduction in part or as a whole without the written permission of ACU Precision Sheet Metal is Prohibited.  
 ACU Precision Sheet Metal is:  
 American Coffee Urn Manufacturing Co., Inc.

	NAME	DATE
DRAWN	M. Johs	08/14
MATERIAL	18 GA. (0.048) GALVANIZED STEEL	
FINISH	CLEAN AND BURR FREE	

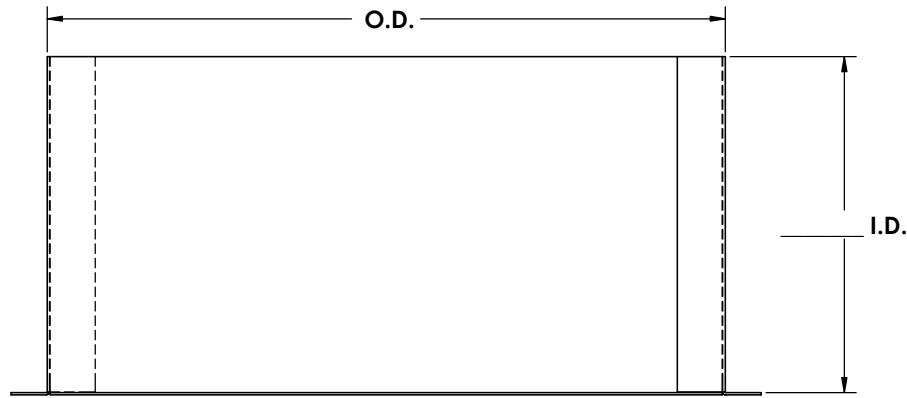
DO NOT SCALE DRAWING

TITLE:
<b>SHADOW BOX CUSTOM LONG SLEEVE W/FAUCET HOLES</b>
<b>AMERICAN COFFEE URN</b>

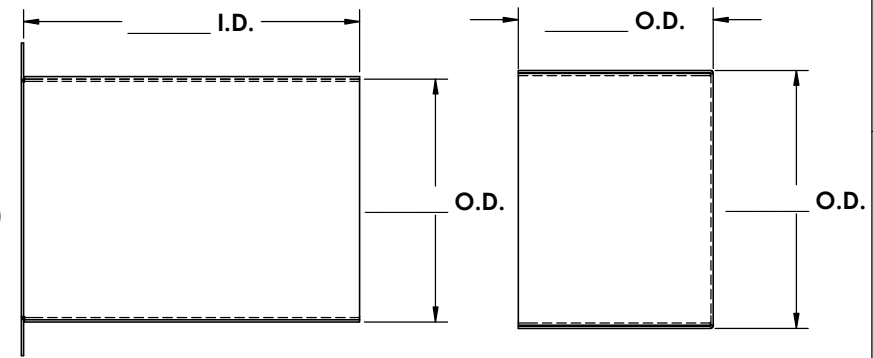
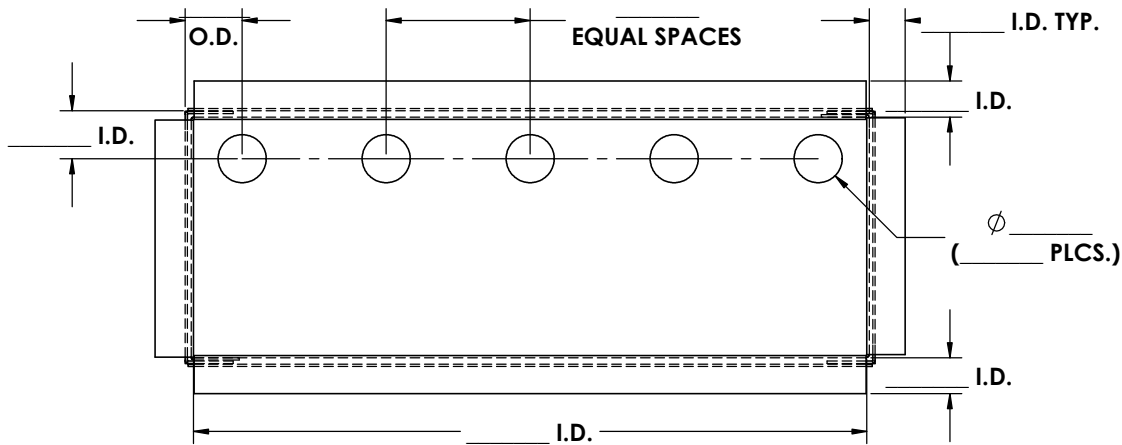
REV. NO.		REVISIONS	DATE	APPROVED
ZONE	REV.	DESCRIPTION		



BOX



SLEEVE



SLEEVE

BOX

**American Coffee**  
**Urn Manufacturing Co., Inc.**  
 Precision Sheet Metal  
 Design ♦ Engineering ♦ Fabrication  
 www.acumetalfab.com

**Proprietary and Confidential**  
 The Information contained in this drawing is the sole property of ACU Precision Sheet Metal. Any reproduction in part or as a whole without the written permission of ACU Precision Sheet Metal is Prohibited.  
 ACU Precision Sheet Metal is:  
 American Coffee Urn Manufacturing Co., Inc.

	NAME	DATE
DRAWN	M. Johs	08/14
MATERIAL	18 GA. (0.048) GALVANIZED STEEL	
FINISH	CLEAN AND BURR FREE	

TITLE:
<b>SHADOW BOX CUSTOM W/FAUCET HOLES</b>
<b>AMERICAN COFFEE URN</b>