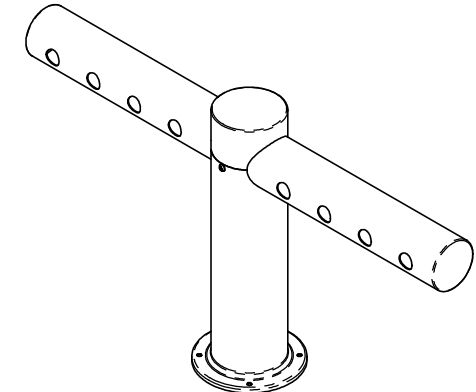
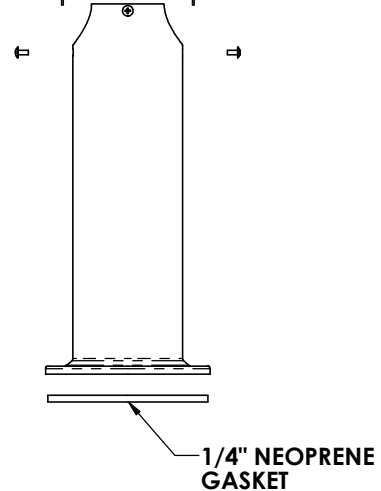
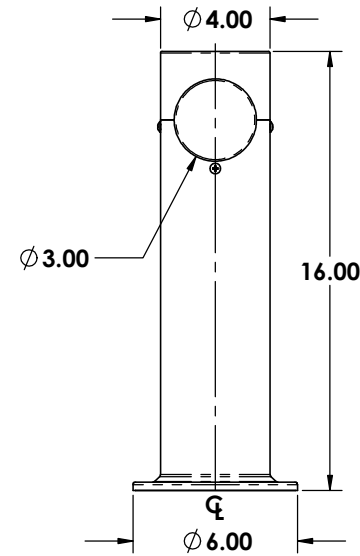
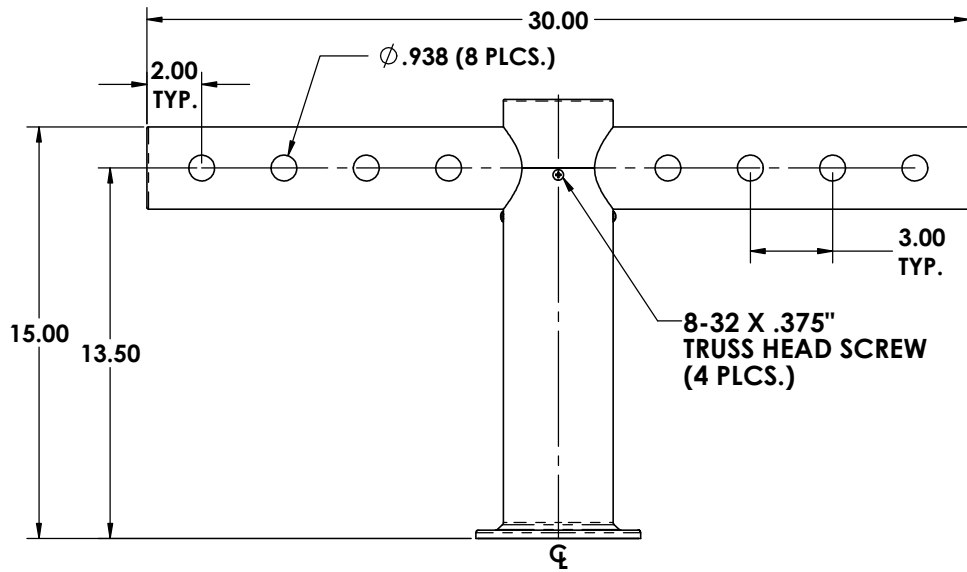
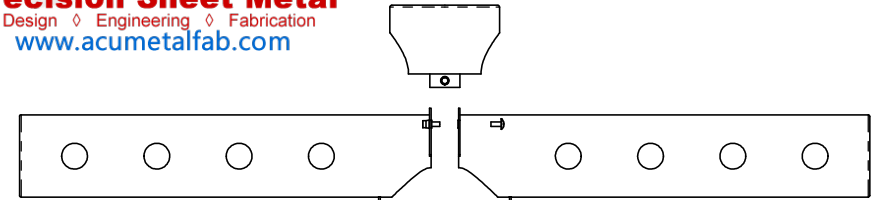
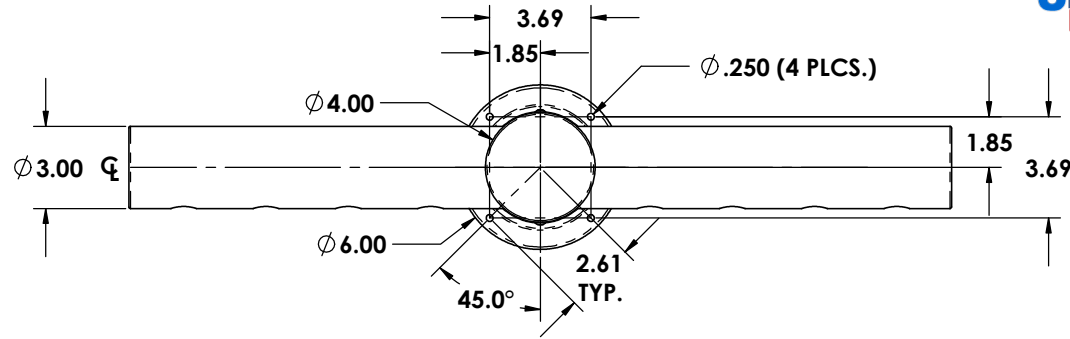


REVISIONS		DATE	APPROVED
ZONE	REV.	DESCRIPTION	



MATERIAL :
 3" X .060 WALL STAINLESS STEEL TUBING - CROSS TUBE
 4" X .060 WALL STAINLESS STEEL TUBING - PEDESTAL

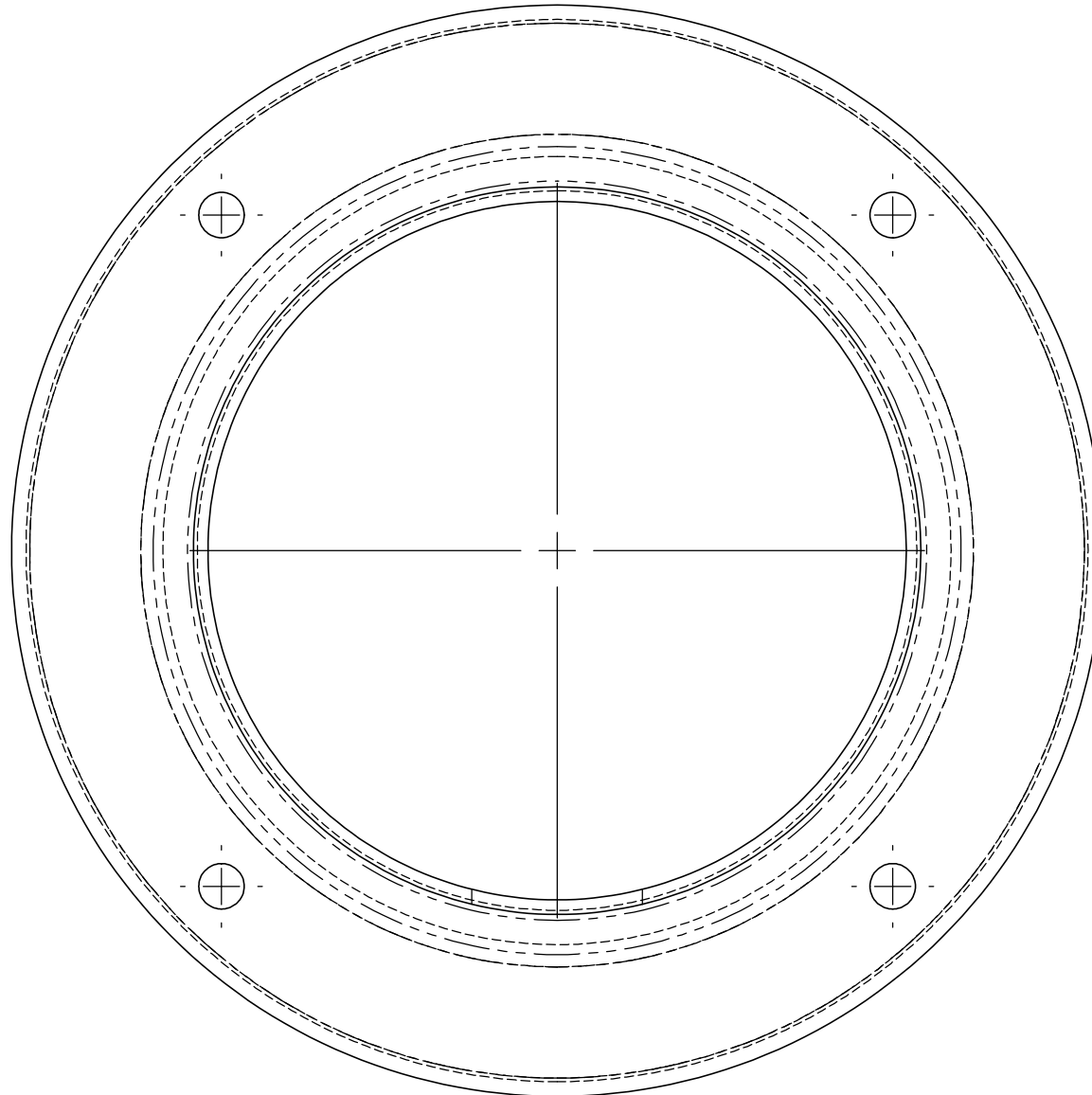
FINISHES :
 #8 POLISHED ON ALL TYPES

Part # 81025-T30

Proprietary and Confidential
 The Information contained in this drawing is the sole property of ACU Precision Sheet Metal. Any reproduction in part or as a whole without the written permission of ACU Precision Sheet Metal is Prohibited.
 ACU Precision Sheet Metal is:
 American Coffee Urn Manufacturing Co., Inc.

	NAME	DATE	TITLE:
DRAWN	M. Johs	07/14	METRO TEE TOWER 8 HOLE, 30" TEE TOWER
MATERIAL	SEE NOTES		
FINISH	SEE NOTES	COMMENTS:	AMERICAN COFFEE URN
DO NOT SCALE DRAWING			

4" PEDESTAL AND DRAFT ARM TEMPLATE



SCALE 1:1

Set printer settings to : Page Scaling = "None"