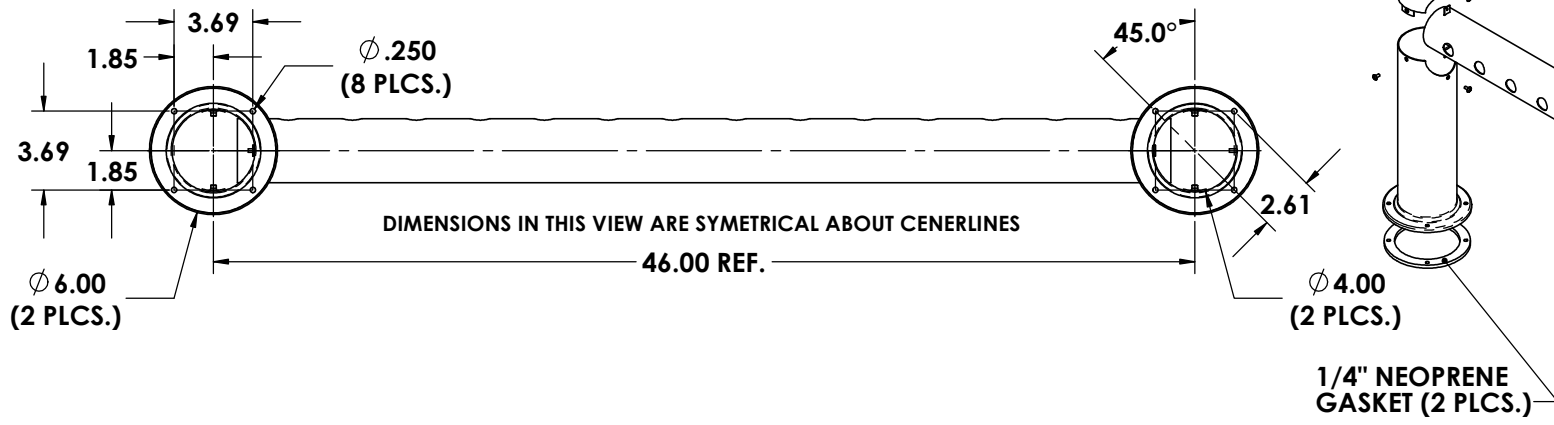
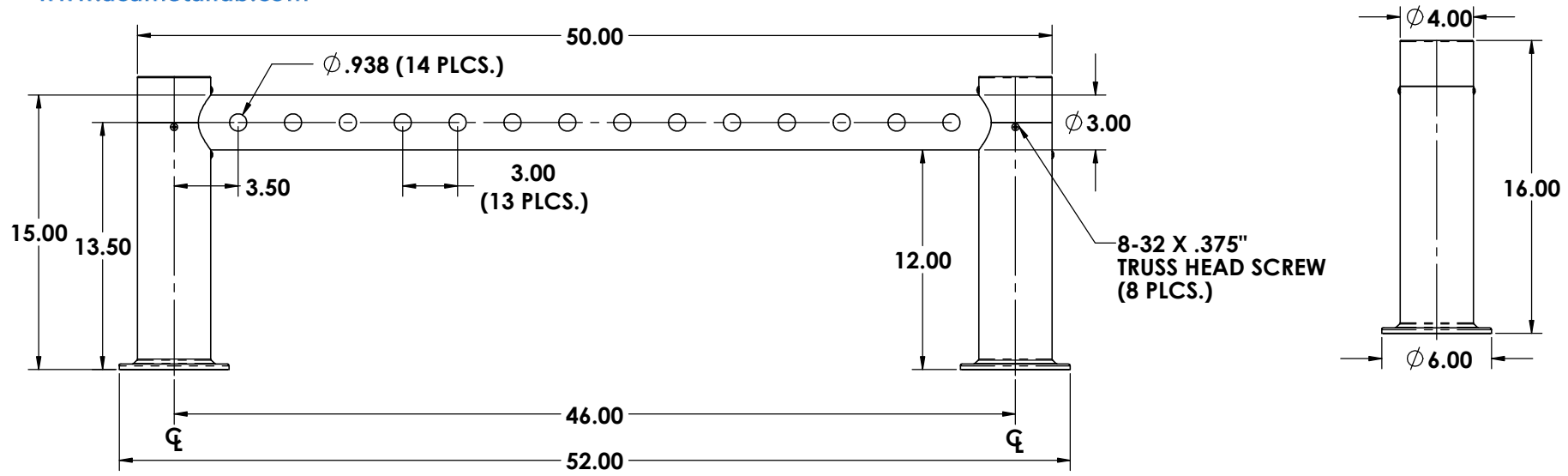


REV. NO.		REVISIONS	DATE	APPROVED



MATERIAL:
 3" X .060 WALL STAINLESS STEEL TUBING - CROSS TUBE
 4" X .060 WALL STAINLESS STEEL TUBING - PEDESTAL

FINISHES :
 #4 BRUSHED ON ALL TYPES

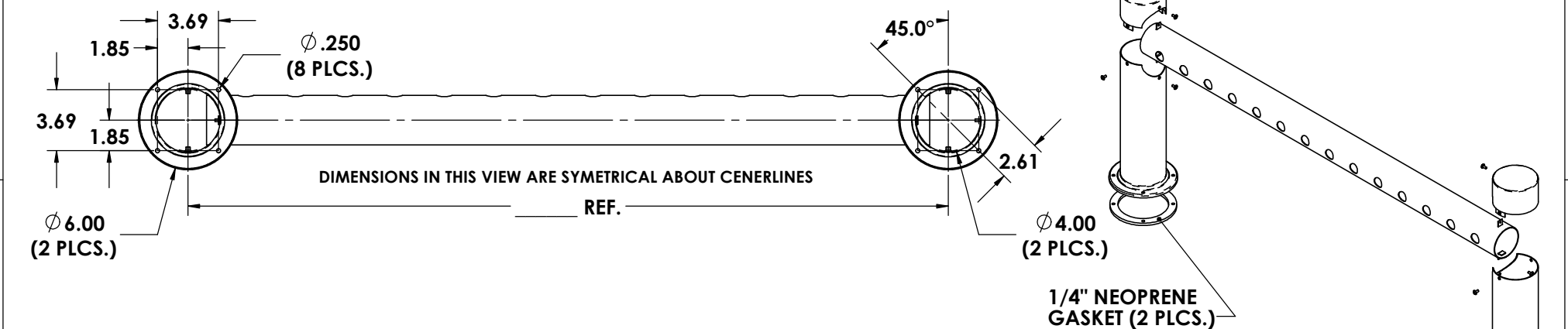
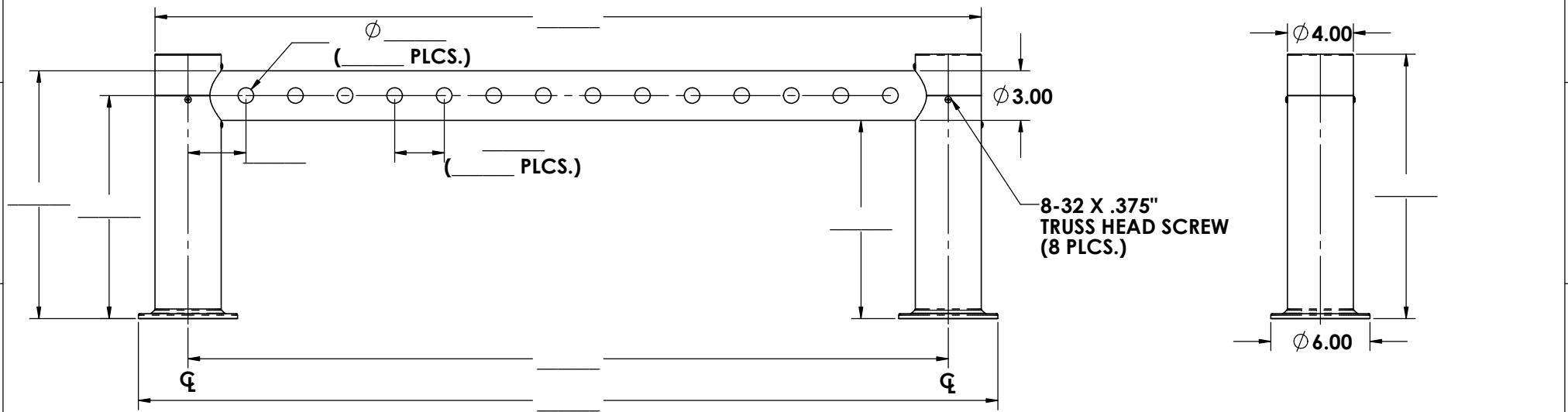
Part # 1025-50

Proprietary and Confidential
 The Information contained in this drawing is the sole property of ACU Precision Sheet Metal. Any reproduction in part or as a whole without the written permission of ACU Precision Sheet Metal is Prohibited.
 ACU Precision Sheet Metal is:
 American Coffee Urn Manufacturing Co., Inc.

	NAME	DATE
DRAWN	M. Johs	07/14
MATERIAL	SEE NOTES	
FINISH	SEE NOTES	COMMENTS:

TITLE:
METRO PASS THROUGH TOWER 14 HOLE, 50" PASS THROUGH
AMERICAN COFFEE URN

REV. NO.		REVISIONS	DATE	APPROVED
ZONE	REV.	DESCRIPTION		

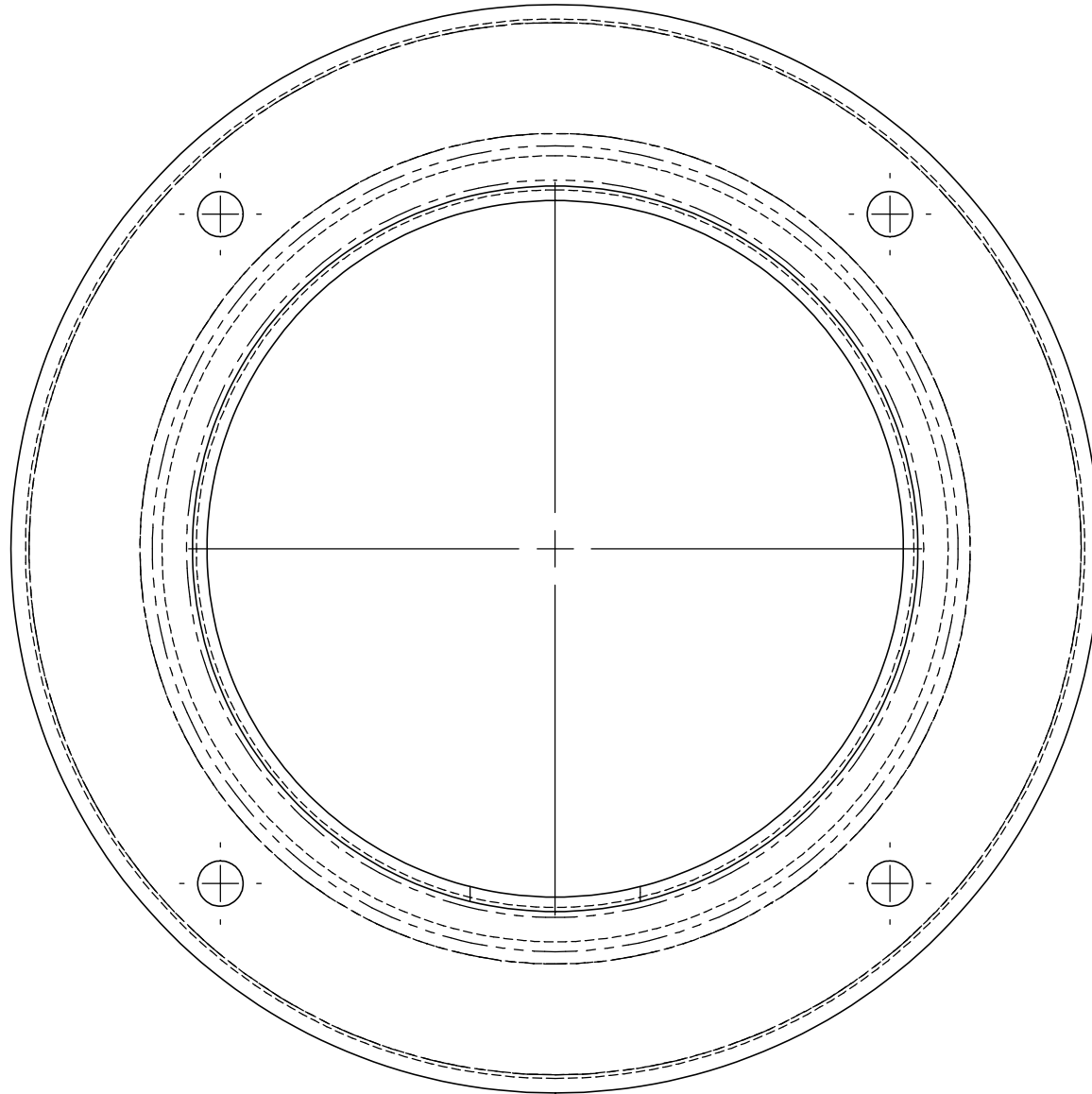


MATERIAL :
 3" X .060 WALL STAINLESS STEEL TUBING
 4" X .060 WALL STAINLESS STEEL TUBING
 3" X .060 WALL BRASS TUBING
 4" X .060 WALL BRASS TUBING

FINISHES :
 #4 BRUSHED ON ALL TYPES
 #8 POLISHED ON ALL TYPES
 #8 PVD BRASS ON STAINLESS STEEL

PROPRIETARY AND CONFIDENTIAL		NAME	DATE	TITLE: METRO PASS THROUGH TOWER CUSTOM PASS THROUGH
THE INFORMATION CONTAINED IN THIS DRAWING IS THE SOLE PROPERTY OF ACU PRECISION SHEET METAL. ANY REPRODUCTION IN PART OR AS A WHOLE WITHOUT THE WRITTEN PERMISSION OF ACU PRECISION SHEET METAL IS PROHIBITED.		L. WILLIAMS	03/11	
ACU PRECISION SHEET METAL IS AMERICAN COFFEE URN MANUFACTURING CO., INC.		MATERIAL	SEE NOTES	
DO NOT SCALE DRAWING		FINISH	SEE NOTES	COMMENTS:
				AMERICAN COFFEE URN

4" PEDESTAL AND DRAFT ARM TEMPLATE



SCALE 1:1

Set printer settings to : Page Scaling = "None"