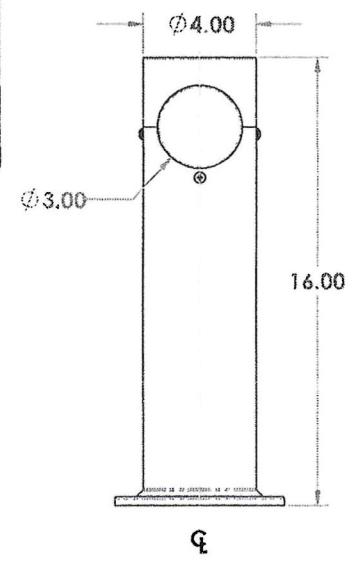
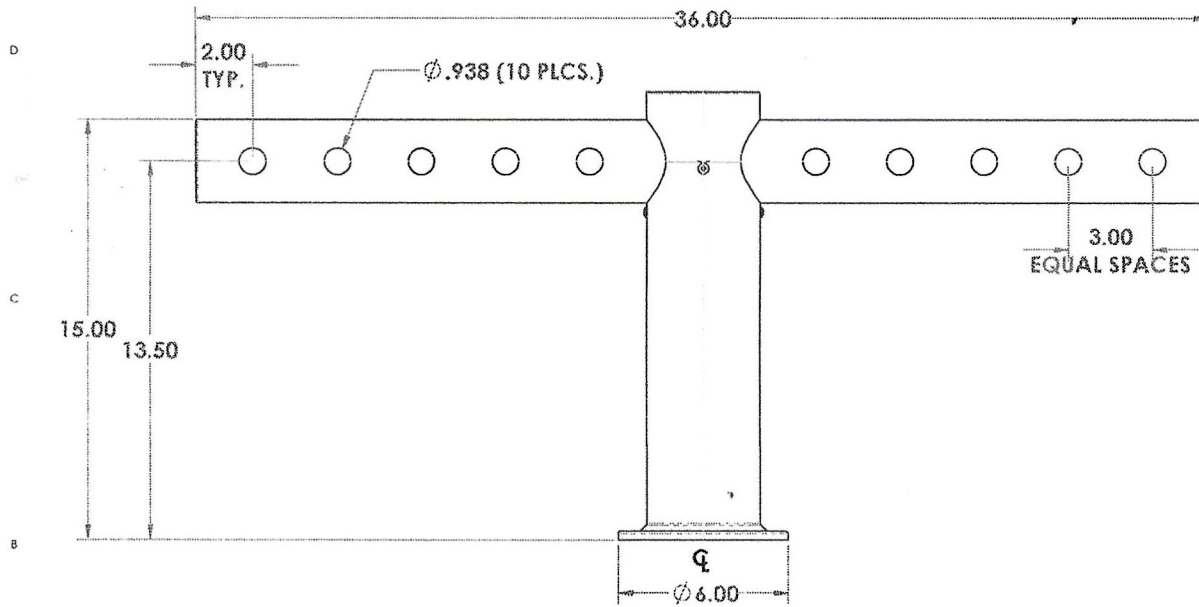
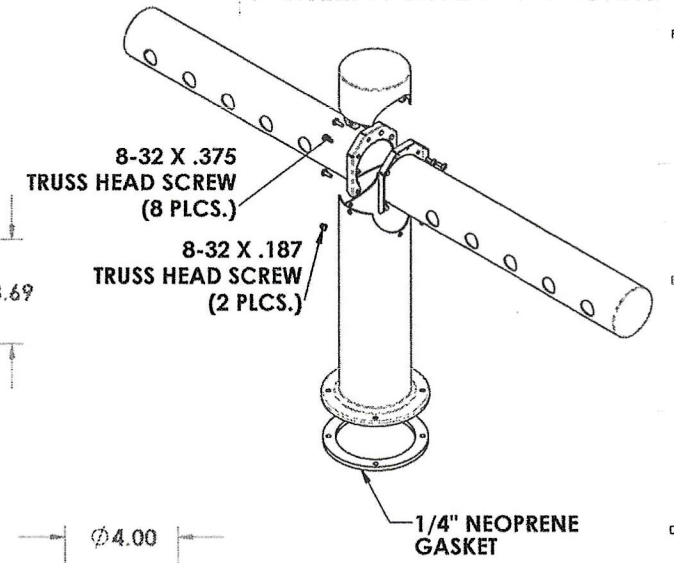
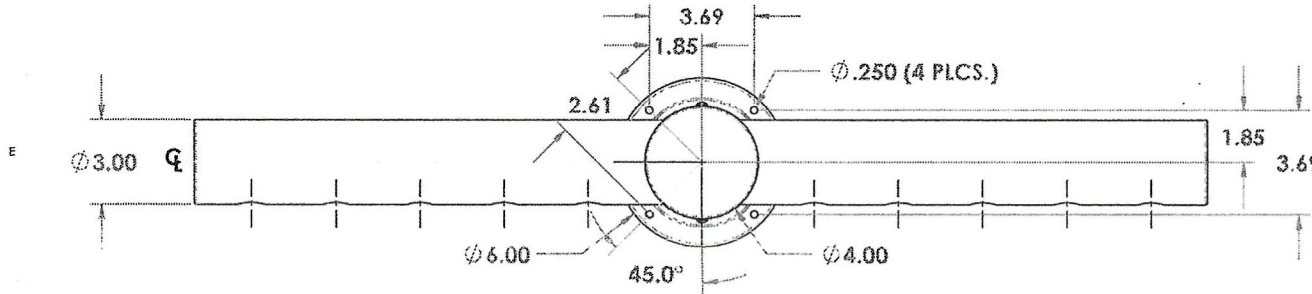


CHANGE DIMENSIONS AS NEEDED FOR CUSTOM TOWERS

REV.	DESCRIPTION	DATE
A	PRODUCTION	02/19

Precision Sheet Metal
 Design ♦ Engineering ♦ Fabrication
 www.acumetalfab.com



NOTES:

ALL DIMENSIONS ARE OUTSIDE DIMENSIONS (UNLESS OTHERWISE NOTED)

MATERIAL:

- Ø 3.00 X .06 WALL 304 STAINLESS STEEL TUBE
- Ø 4.00 X .06 WALL 304 STAINLESS STEEL TUBE

www.acumetalfab.com

PROPRIETARY AND CONFIDENTIAL

THE INFORMATION CONTAINED IN THIS DRAWING IS THE SOLE PROPERTY OF ACU PRECISION SHEET METAL. ANY REPRODUCTION IN PART OR AS A WHOLE WITHOUT THE WRITTEN PERMISSION OF ACU PRECISION SHEET METAL IS PROHIBITED.

ACU PRECISION SHEET METAL IS : AMERICAN COFFEE URN MANUFACTURING CO., INC

DRAWN
 MATERIAL
 FINISH

BASE TUBE	1025-08
TOP TUBE	1025-09
RIGHT TEE TUBE	1025-28
LEFT TEE TUBE	1025-29

NAME DATE TITLE:
 L. WILLIAMS 02/19

SEE NOTES
 #4 BRUSHED

DO NOT SCALE DRAWING

PART # 1025-T36

METRO TEE TOWER
10 HOLE, 36" TEE TOWER
AMERICAN COFFEE URN