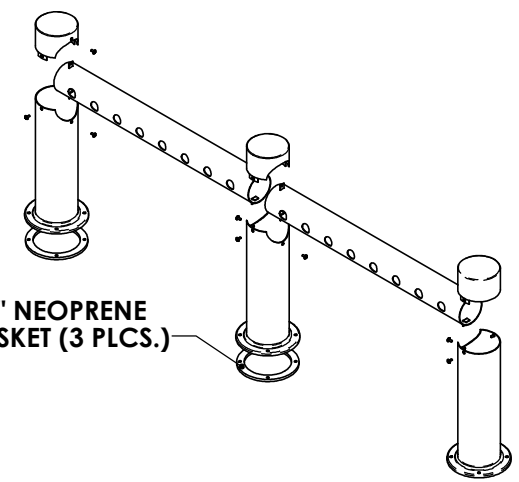
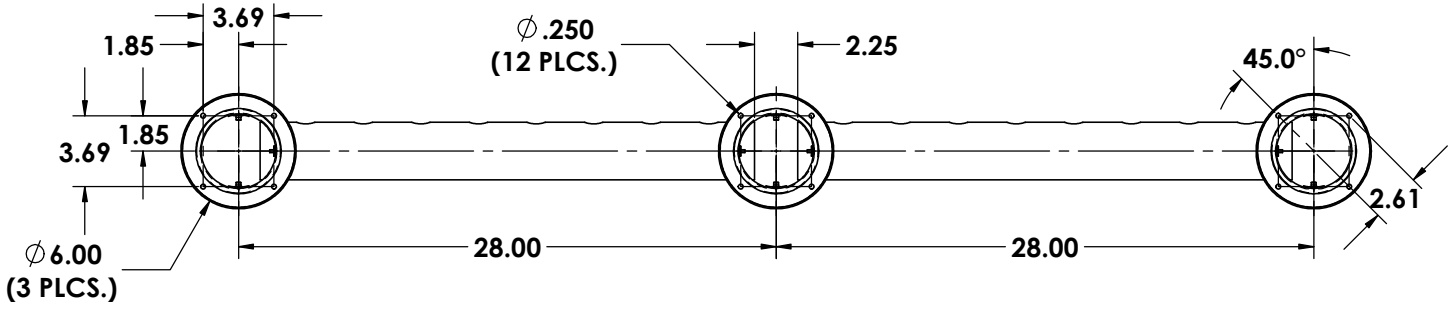
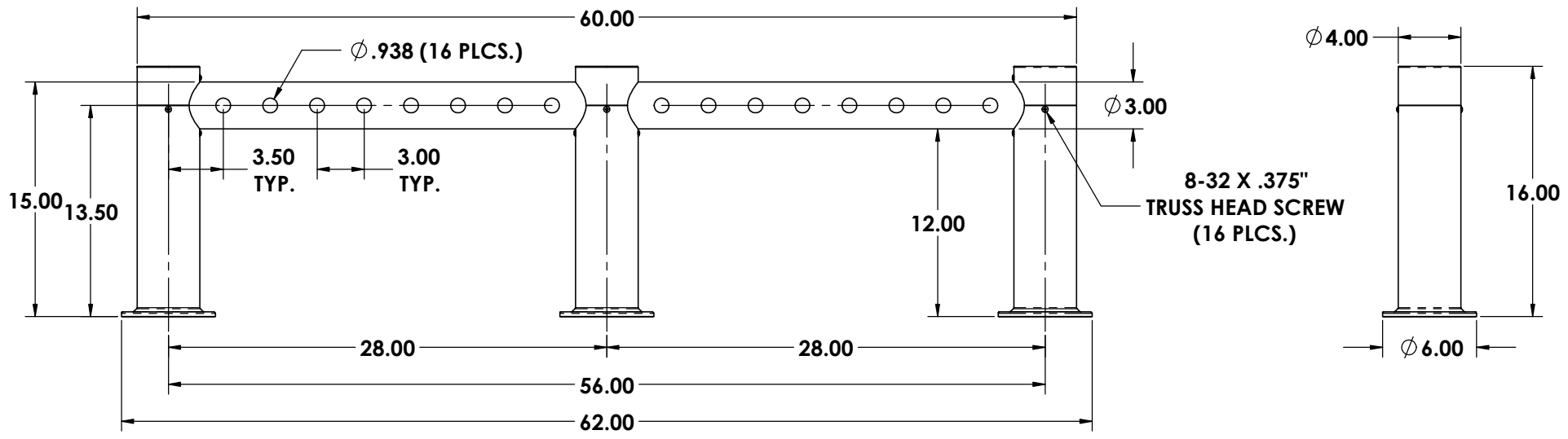


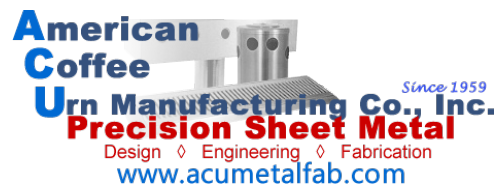
REV. NO.		REVISIONS	DATE	APPROVED
ZONE	REV.	DESCRIPTION		



Please **Circle** the desired options Below:

MATERIAL :
 3" X .060 WALL STAINLESS STEEL TUBING
 4" X .060 WALL STAINLESS STEEL TUBING

FINISHES : #4 BRUSHED ON ALL TYPES
 #8 POLISHED ON ALL TYPES
 #8 PVD BRASS ON STAINLESS STEEL



Proprietary and Confidential
 The Information contained in this drawing is the sole property of ACU Precision Sheet Metal. Any reproduction in part or as a whole without the written permission of ACU Precision Sheet Metal is Prohibited.
 ACU Precision Sheet Metal is:
 American Coffee Urn Manufacturing Co., Inc.

	NAME	DATE	TITLE:
DRAWN	M. Johs	08/14	METRO M-TOWER 16 HOLE, 60" M-TOWER
MATERIAL	SEE NOTES		
FINISH	SEE NOTES	COMMENTS:	AMERICAN COFFEE URN
DO NOT SCALE DRAWING			