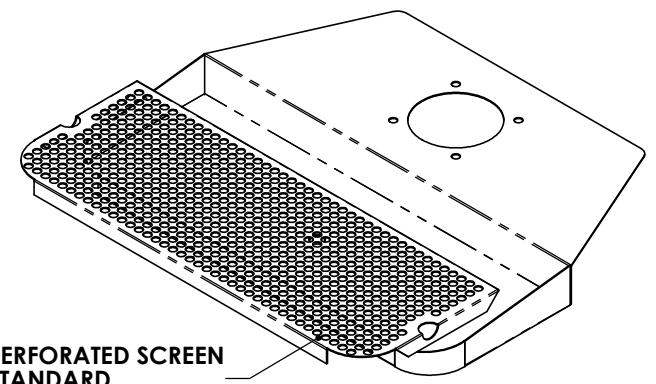
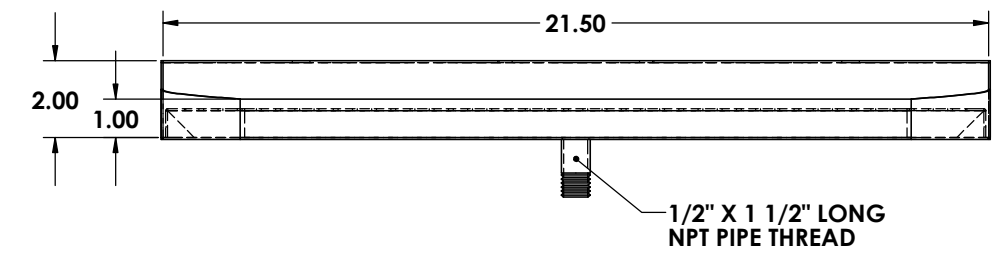
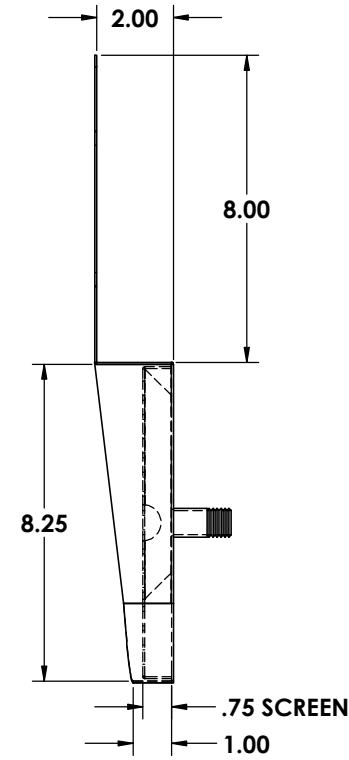
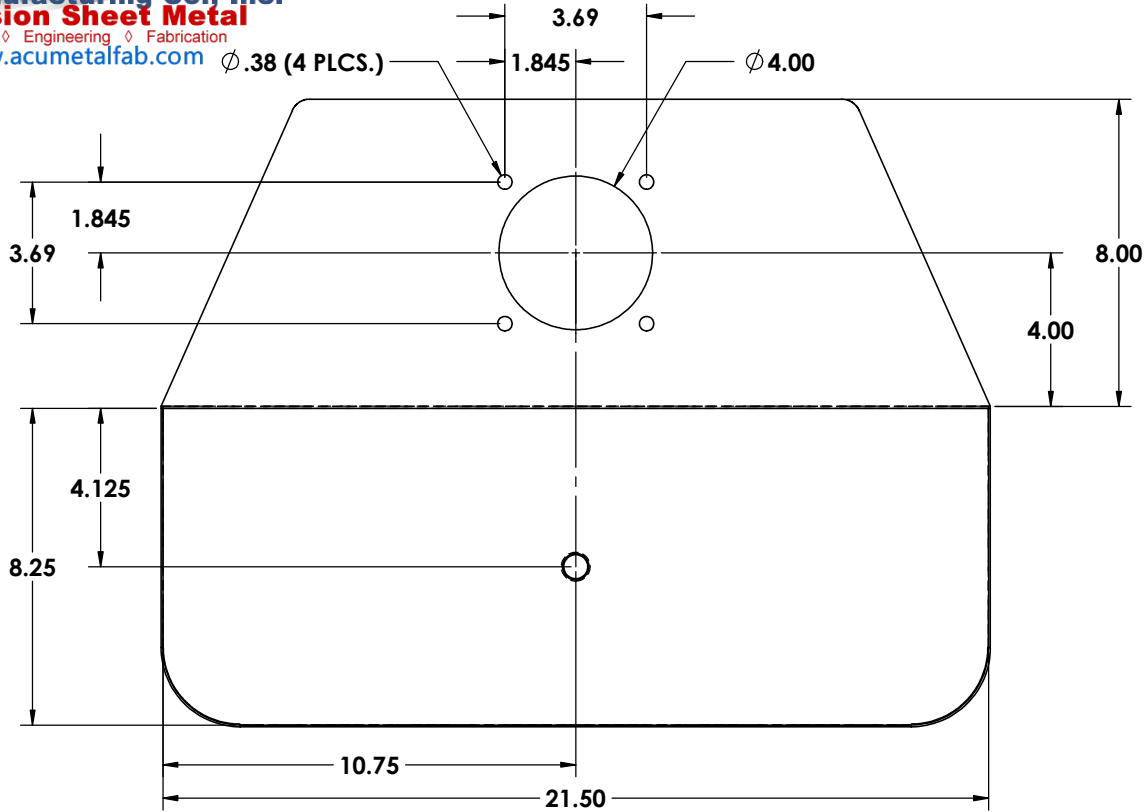


REVISIONS		DATE	APPROVED
ZONE	REV.	DESCRIPTION	



ALL DIMENSIONS ARE INSIDE DIMENSIONS  
 UNLESS OTHERWISE NOTED

**MATERIAL :**  
 18 GAUGE STAINLESS STEEL

**FINISHES :**  
 #4 BRUSHED ON ALL TYPES

**Part # 0975-SL**

**Proprietary and Confidential**  
 The Information contained in this drawing is the sole property of ACU Precision Sheet Metal. Any reproduction in part or as a whole without the written permission of ACU Precision Sheet Metal is Prohibited.  
 ACU Precision Sheet Metal is:  
 American Coffee Urn Manufacturing Co., Inc.

	NAME	DATE	TITLE:
DRAWN	M. Johs	07/14	<b>LARGE OVERHANG DRIP TRAY</b>
MATERIAL	SEE NOTES		
FINISH	SEE NOTES	COMMENTS:	<b>AMERICAN COFFEE URN</b>
DO NOT SCALE DRAWING			

[www.acumetalfab.com](http://www.acumetalfab.com)