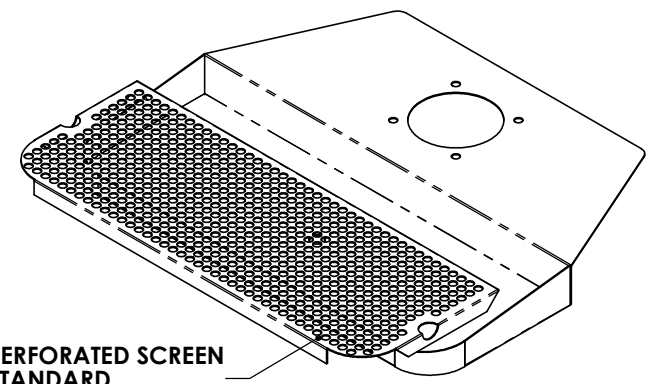
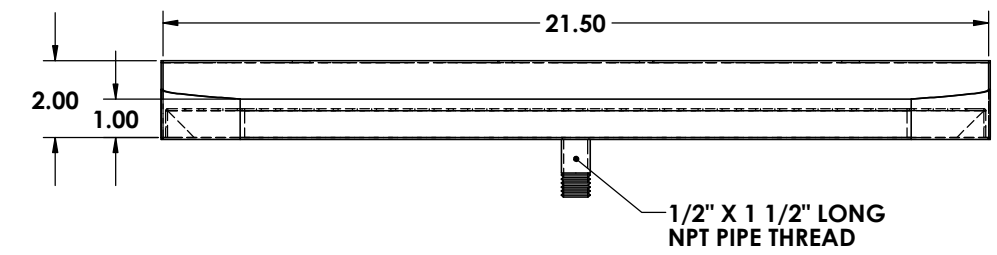
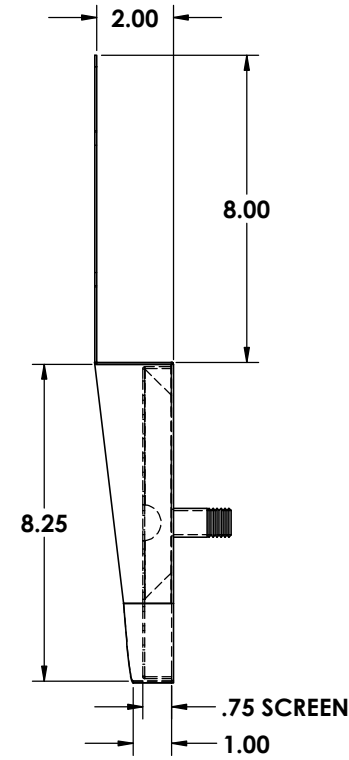
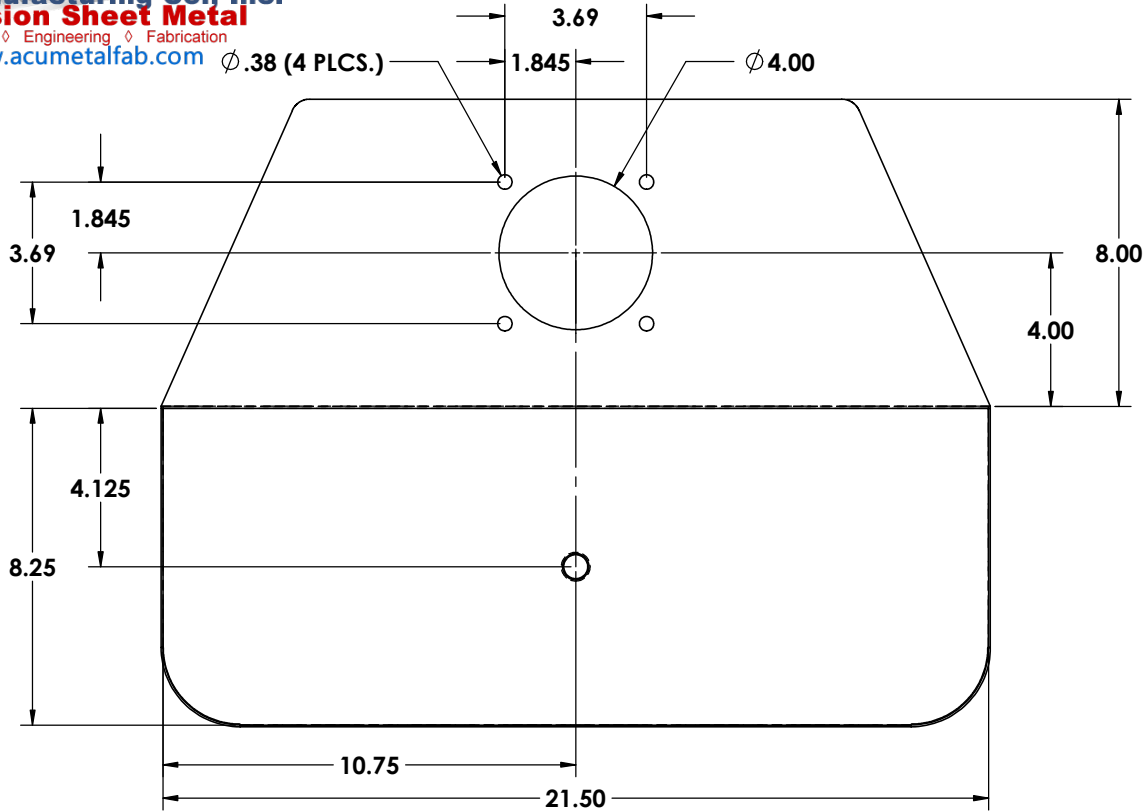


| REVISIONS | | DATE | APPROVED |
|-----------|------|-------------|----------|
| ZONE | REV. | DESCRIPTION | |
| | | | |
| | | | |



ALL DIMENSIONS ARE INSIDE DIMENSIONS
 UNLESS OTHERWISE NOTED

MATERIAL :
 16 GAUGE BRASS

FINISHES :
 # 8 POLISHED ON ALL TYPES

Part # 0975-BL

Proprietary and Confidential
 The Information contained in this drawing is the sole property of ACU Precision Sheet Metal. Any reproduction in part or as a whole without the written permission of ACU Precision Sheet Metal is Prohibited.
 ACU Precision Sheet Metal is:
 American Coffee Urn Manufacturing Co., Inc.

| | NAME | DATE | TITLE: |
|----------------------|-----------|-----------|-------------------------------------|
| DRAWN | M. Johs | 07/14 | LARGE OVERHANG DRIP TRAY |
| MATERIAL | SEE NOTES | | |
| FINISH | SEE NOTES | COMMENTS: | AMERICAN COFFEE URN |
| DO NOT SCALE DRAWING | | | |

www.acumetalfab.com