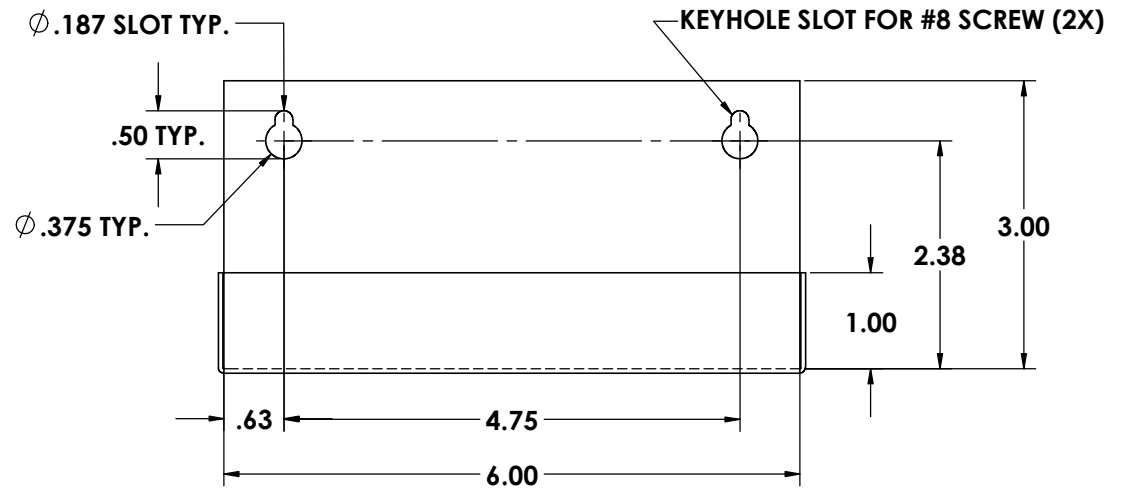
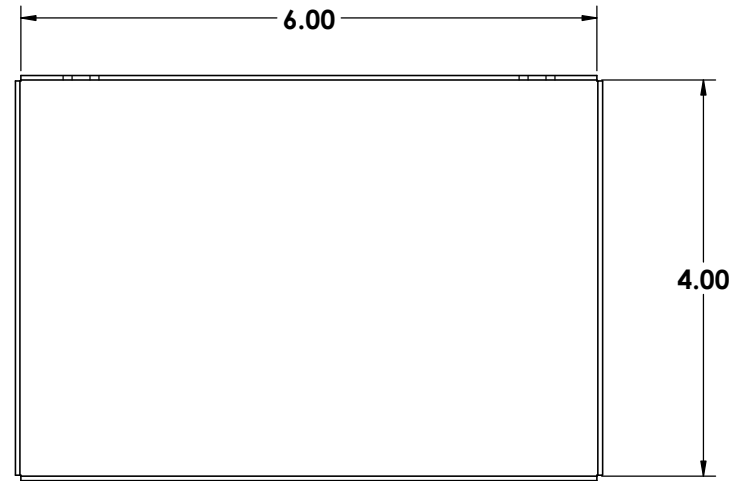
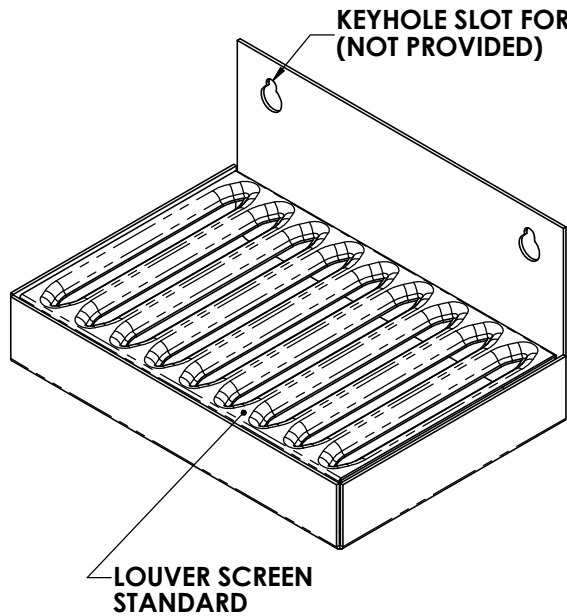


| | | REVISIONS | | |
|------|------|-------------|------|----------|
| ZONE | REV. | DESCRIPTION | DATE | APPROVED |
| | | | | |
| | | | | |



ALL DIMENSIONS ARE INSIDE DIMENSIONS
UNLESS OTHERWISE NOTED

MATERIAL :
18 GAUGE STAINLESS STEEL

FINISHES :
#4 BRUSHED ON ALL TYPES

Part # 0420-06

Proprietary and Confidential
The Information contained in this drawing is the sole property of ACU Precision Sheet Metal. Any reproduction in part or as a whole without the written permission of ACU Precision Sheet Metal is Prohibited.
ACU Precision Sheet Metal is:
American Coffee Urn Manufacturing Co., Inc.

| | | | |
|----------------------|-----------|-----------|---------------------------------|
| | NAME | DATE | TITLE: |
| DRAWN | M. Johs | 07/14 | KEYHOLE WALL MOUNT |
| MATERIAL | SEE NOTES | | |
| FINISH | SEE NOTES | COMMENTS: | AMERICAN COFFEE URN |
| DO NOT SCALE DRAWING | | | SCALE: 1:1 WEIGHT: SHEET 1 OF 2 |