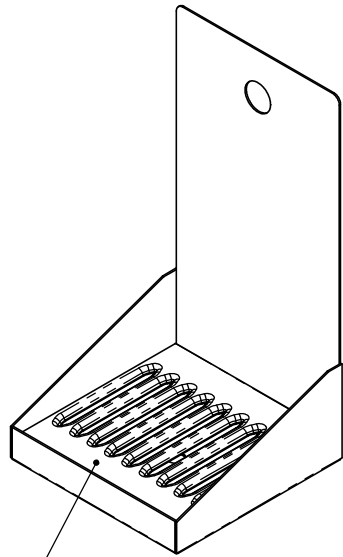
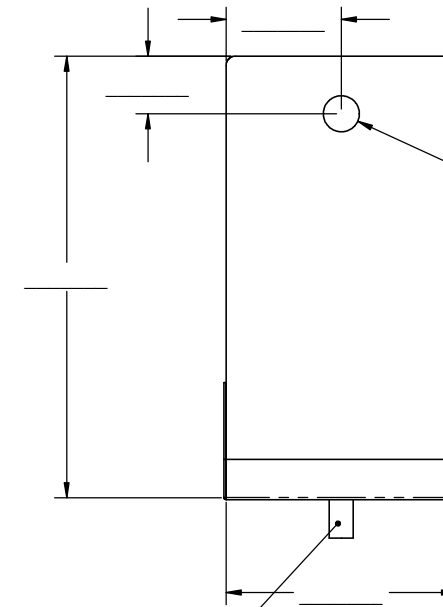
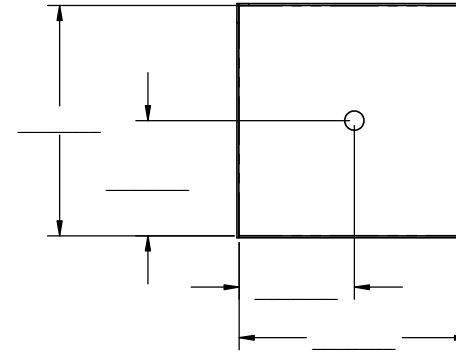
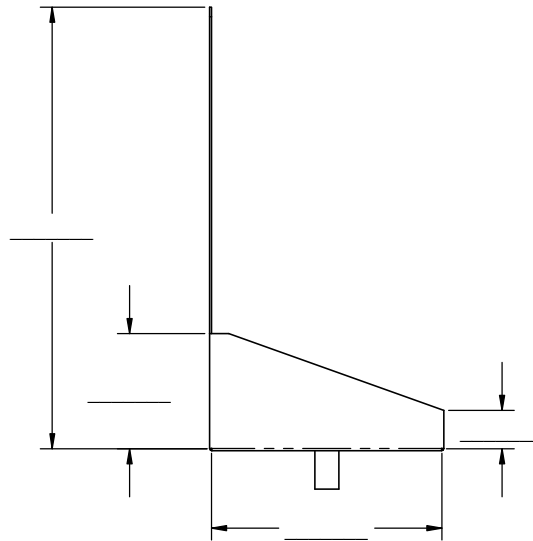


Please **Fill in** the desired measurements below:

ZONE		REV.		REVISIONS		DATE	APPROVED
				DESCRIPTION			



LOUVER SCREEN STANDARD



Ø.938

1/2" SMOOTH TUBE DRAIN

Please **Circle** the desired options Below:

ALL DIMENSIONS ARE INSIDE DIMENSIONS
UNLESS OTHERWISE NOTED

MATERIAL :

- 18 GAUGE STAINLESS STEEL
- 16 GAUGE STAINLESS STEEL
- 16 GAUGE BRASS

FINISHES :

- #2B SATIN ON ALL TYPES
- #4 BRUSHED ON ALL TYPES
- #8 POLISHED ON ALL TYPES

American Coffee
Urn Manufacturing Co., Inc. Since 1959
Precision Sheet Metal
Design ◊ Engineering ◊ Fabrication
www.acumetalfab.com

Proprietary and Confidential
The Information contained in this drawing is the sole property of ACU Precision Sheet Metal. Any reproduction in part or as a whole without the written permission of ACU Precision Sheet Metal is Prohibited.
ACU Precision Sheet Metal is:
American Coffee Urn Manufacturing Co., Inc.

	NAME	DATE
DRAWN	M. Johs	06/14
MATERIAL	SEE NOTES	
FINISH	SEE NOTES	COMMENTS:

TITLE:	JOCKEY BOX WALL MOUNT W/DRAIN CUSTOM
	AMERICAN COFFEE URN