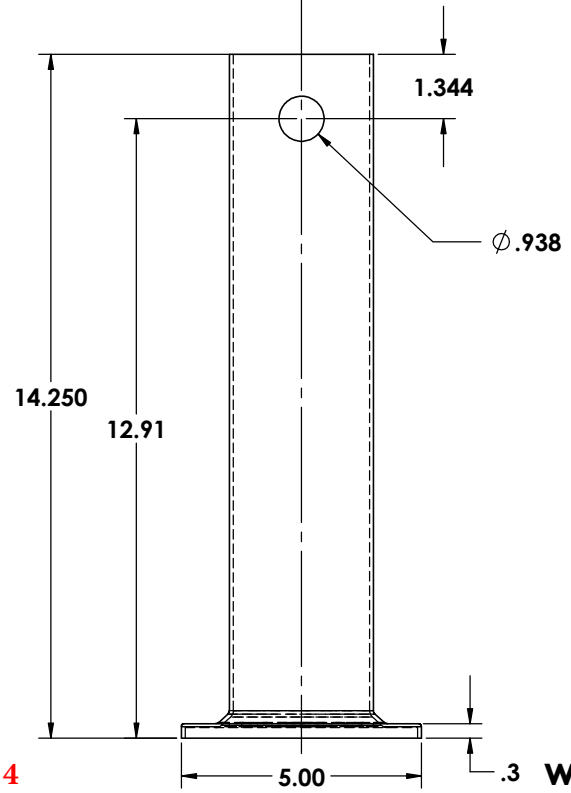
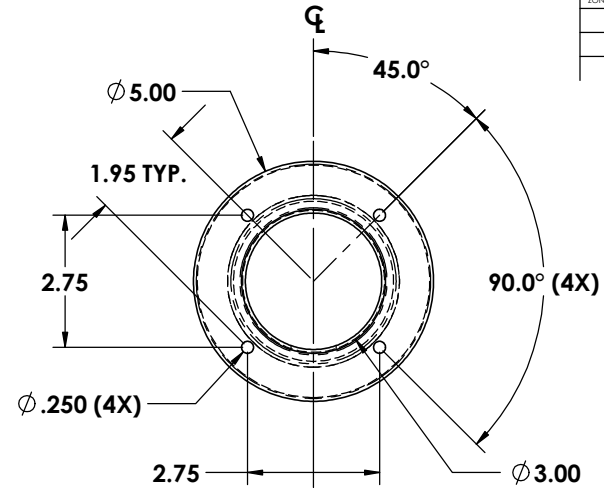
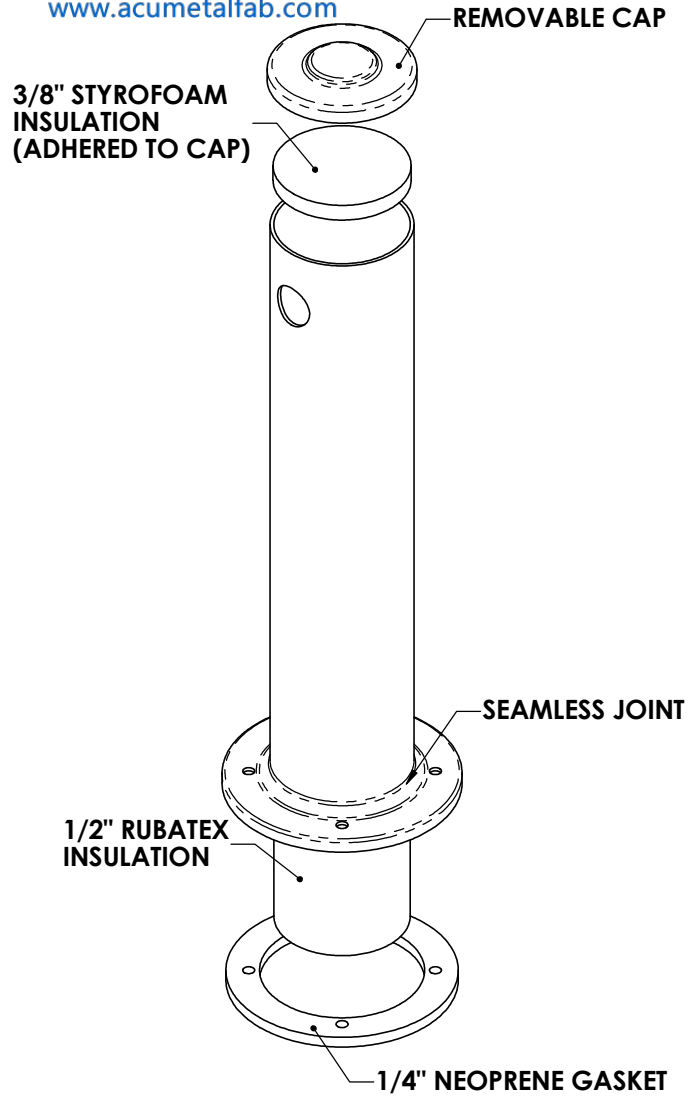


REVISIONS		DATE	APPROVED
ZONE	REV.	DESCRIPTION	



**MATERIAL :**  
 3" X .060 WALL STAINLESS STEEL

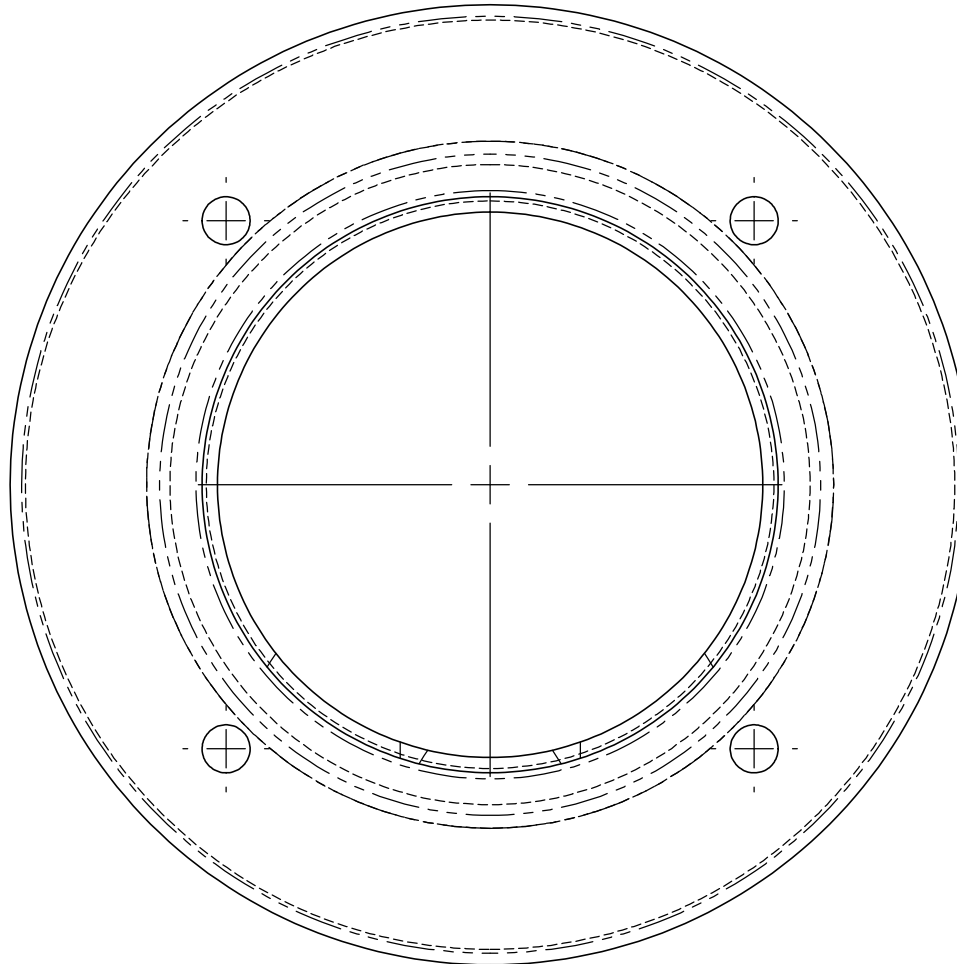
**FINISHES :**  
 #8 POLISHED ON ALL TYPES

**Part # 0891-14**

[www.acumetalfab.com](http://www.acumetalfab.com)

<b>Proprietary and Confidential</b> The Information contained in this drawing is the sole property of ACU Precision Sheet Metal. Any reproduction in part or as a whole without the written permission of ACU Precision Sheet Metal is Prohibited. ACU Precision Sheet Metal is: American Coffee Urn Manufacturing Co., Inc.	NAME	DATE	TITLE: <b>3" DRAFT ARM ASSEMBLY                  1 HOLE, 14" HIGH</b>	
	DRAWN	M. Johs		06/14
	MATERIAL	SEE NOTES		<b>AMERICAN COFFEE URN</b>
	FINISH	SEE NOTES	COMMENTS:	
DO NOT SCALE DRAWING				

## 3" PEDESTAL AND DRAFT ARM TEMPLATE



**SCALE 1:1**

**Set printer settings to : Page Scaling = "None"**