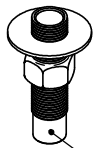
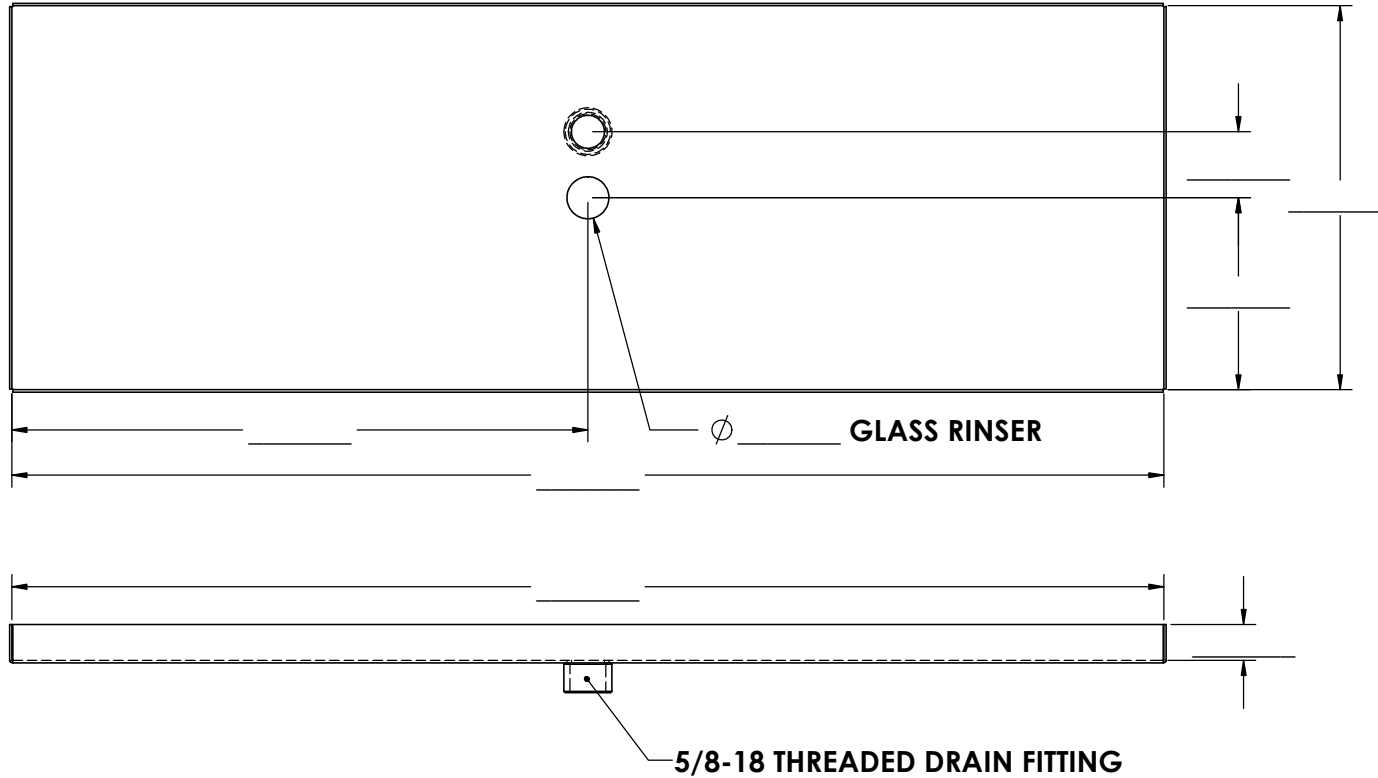


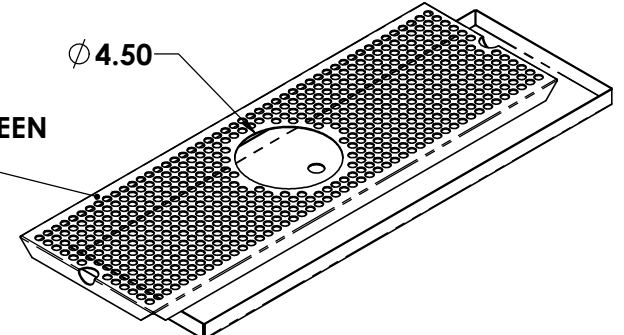
REV. NO.		REVISIONS	DATE	APPROVED
ZONE	REV.	DESCRIPTION		

Please Fill in the desired measurements below:



5/8-18 X 3" LONG
BRASS DRAIN W/HARDWARE

5/8-18 THREADED DRAIN FITTING



PERFORATED SCREEN
STANDARD

Please Circle the desired options Below:

**ALL DIMENSIONS ARE INSIDE DIMENSIONS
UNLESS OTHERWISE NOTED**

MATERIAL :

- 18 GAUGE STAINLESS STEEL
- 16 GAUGE STAINLESS STEEL
- 16 GAUGE BRASS

FINISHES :

- #2B SATIN ON ALL TYPES
- #4 BRUSHED ON ALL TYPES
- #8 POLISHED ON ALL TYPES

Proprietary and Confidential The Information contained in this drawing is the sole property of ACU Precision Sheet Metal. Any reproduction in part or as a whole without the written permission of ACU Precision Sheet Metal is Prohibited. ACU Precision Sheet Metal is: American Coffee Urn Manufacturing Co., Inc.		NAME	DATE	TITLE: SMDR CUSTOM SURFACE MOUNT W/DRAIN & GLASS RINSER
	DRAWN	M. Johs	07/14	
	MATERIAL	SEE NOTES		
	FINISH	SEE NOTES	COMMENTS:	AMERICAN COFFEE URN
<small>DO NOT SCALE DRAWING</small>				