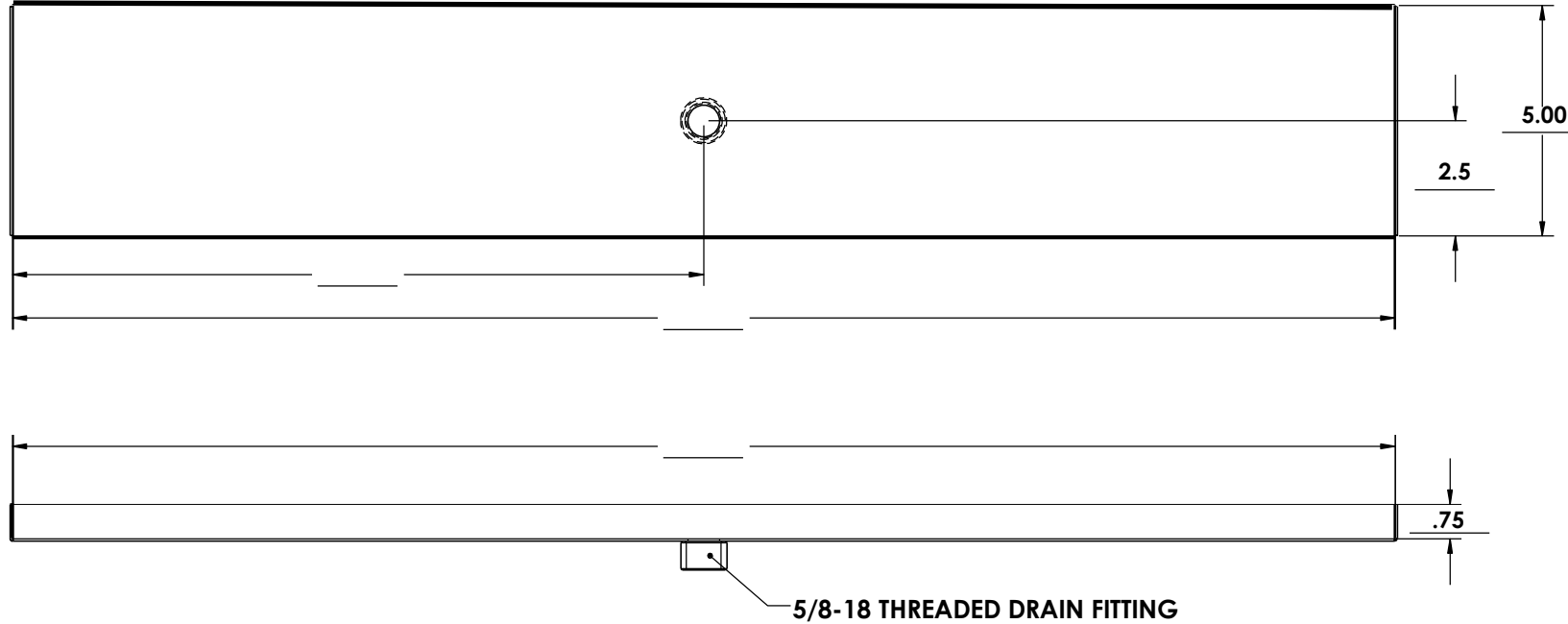
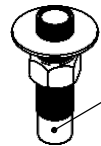


REVISIONS		DATE	APPROVED
ZONE	REV.	DESCRIPTION	

Please Fill in the desired measurements below:

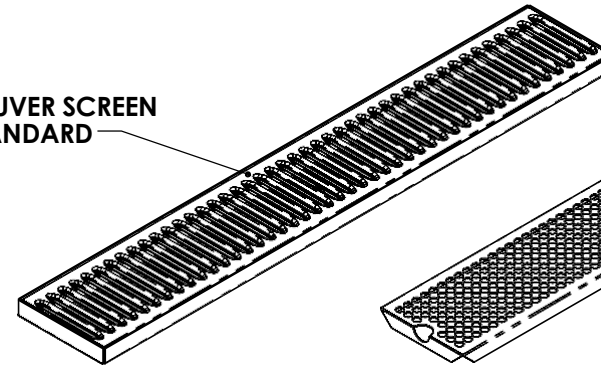


Please Circle the desired screen below:

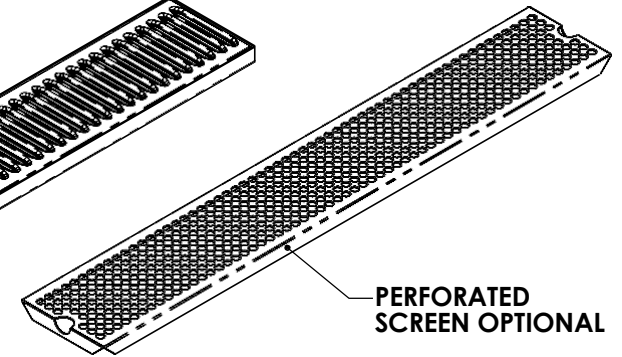


5/8-18 X 3" LONG
BRASS DRAIN W/HARDWARE

LOUVER SCREEN
STANDARD



PERFORATED
SCREEN OPTIONAL



Please Circle the desired options Below:

ALL DIMENSIONS ARE INSIDE DIMENSIONS
UNLESS OTHERWISE NOTED

- MATERIAL :**
 18 GAUGE STAINLESS STEEL
 16 GAUGE STAINLESS STEEL
 16 GAUGE BRASS

- FINISHES :**
 #4 BRUSHED ON ALL TYPES
 #8 POLISHED ON ALL TYPES

Proprietary and Confidential
 The Information contained in this drawing is the sole property of ACU Precision Sheet Metal. Any reproduction in part or as a whole without the written permission of ACU Precision Sheet Metal is Prohibited.
 ACU Precision Sheet Metal is:
 American Coffee Urn Manufacturing Co., Inc.

	NAME	DATE	TITLE:
DRAWN	M. Johs	05/14	SMD SURFACE MOUNT W/DRAIN CUSTOM 5" DRIP TRAY AMERICAN COFFEE URN
MATERIAL	SEE NOTES		
FINISH	SEE NOTES	COMMENTS:	
DO NOT SCALE DRAWING			