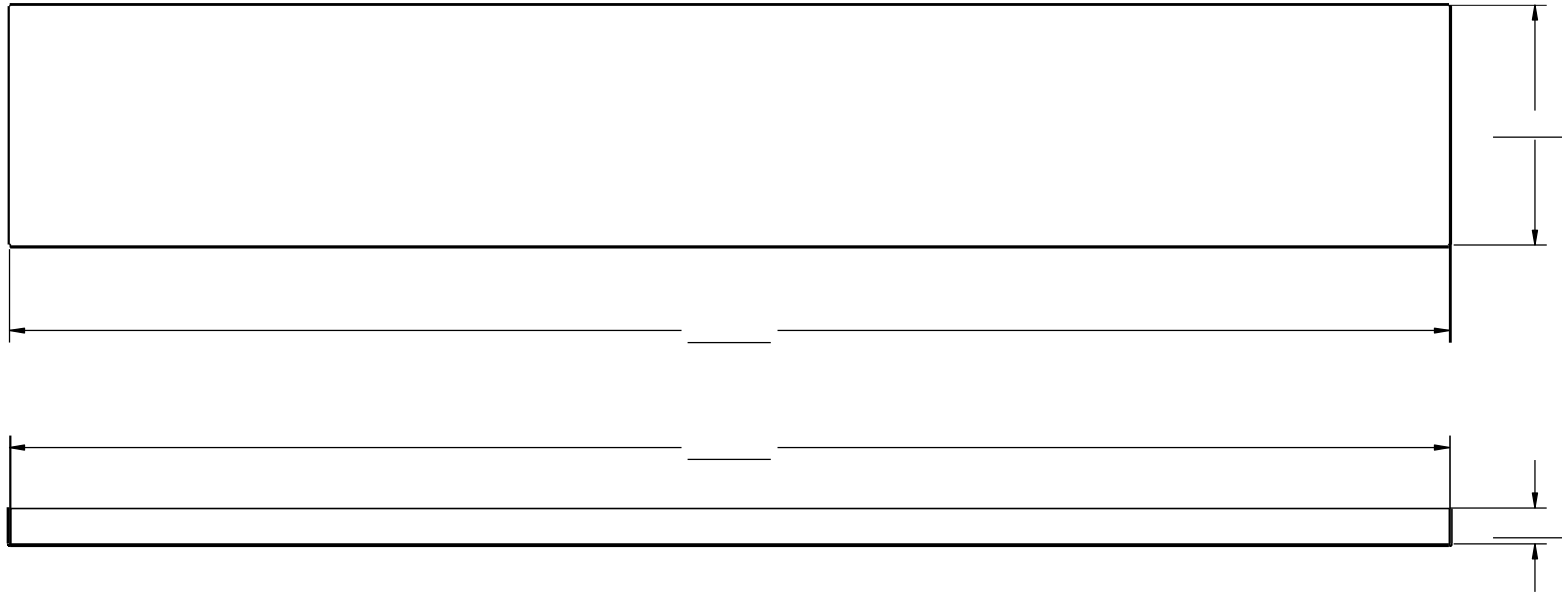


ZONE		REV.	DESCRIPTION	DATE	APPROVED

Please **Fill in** the desired measurements below:



Please **Circle** the desired screen below:

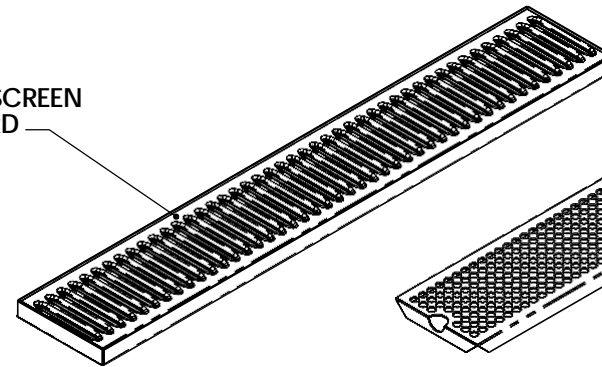
Please **Circle** the desired options Below:

ALL DIMENSIONS ARE INSIDE DIMENSIONS
 UNLESS OTHERWISE NOTED

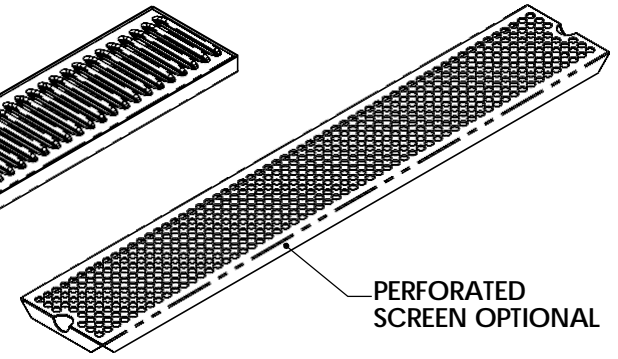
- MATERIAL :**
- 18 GAUGE STAINLESS STEEL
 - 16 GAUGE STAINLESS STEEL
 - 16 GAUGE BRASS

- FINISHES :**
- #2B SATIN ON ALL TYPES
 - #4 BRUSHED ON ALL TYPES
 - #8 POLISHED ON ALL TYPES

LOUVER SCREEN
 STANDARD



PERFORATED
 SCREEN OPTIONAL



Proprietary and Confidential
 The Information contained in this drawing is the sole property of ACU Precision Sheet Metal. Any reproduction in part or as a whole without the written permission of ACU Precision Sheet Metal is Prohibited.
 ACU Precision Sheet Metal is:
 American Coffee Urn Manufacturing Co., Inc.

	NAME	DATE	TITLE:
DRAWN	M. Johs	05/14	SM SURFACE MOUNT CUSTOM DRIP TRAY
Material	SEE NOTES		
FINISH	SEE NOTES	COMMENTS:	AMERICAN COFFEE URN
DO NOT SCALE DRAWING			