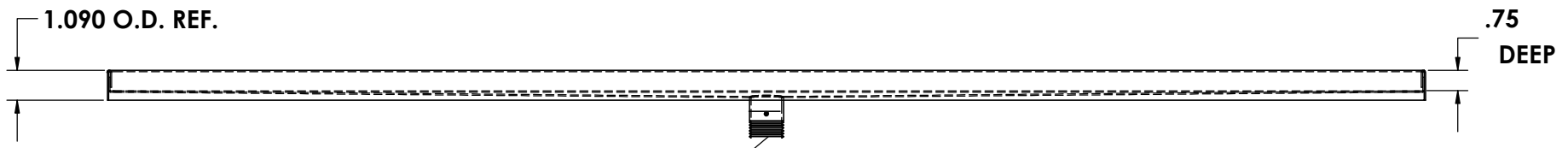
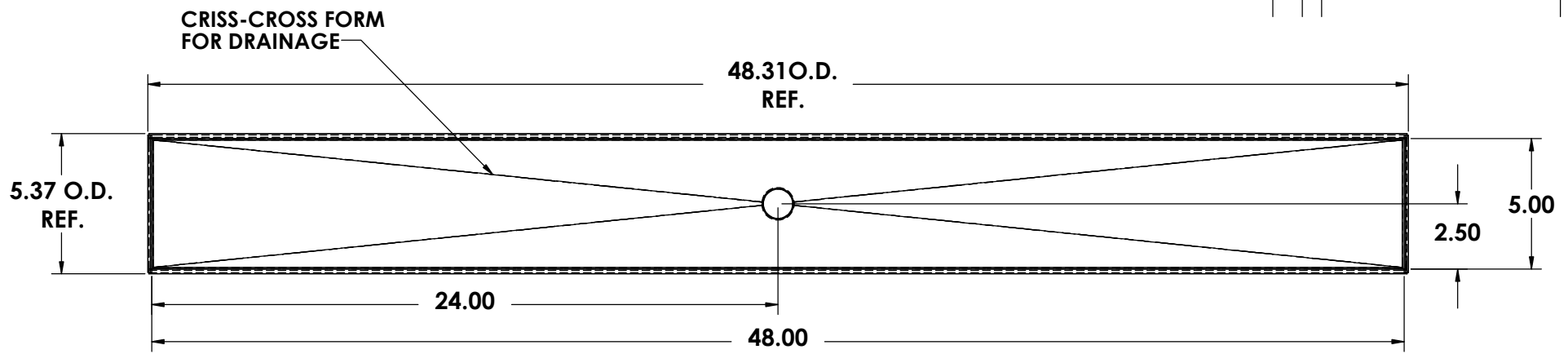


PLEASE FILL IN CORRECT MEASUREMENTS WHERE NEEDED!

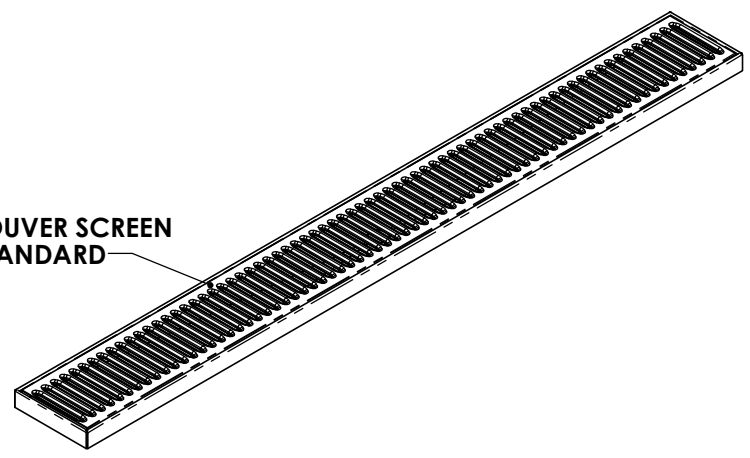
www.acumetalfab.com

REV. NO.		REVISIONS	DATE	APPROVED



1" X 1 1/2" LONG NPT PIPE THREAD

LOUVER SCREEN STANDARD



Please **Circle** the desired options Below:

ALL DIMENSIONS ARE INSIDE DIMENSIONS UNLESS OTHERWISE NOTED

- MATERIAL :**
- 18 GAUGE STAINLESS STEEL
  - 16 GAUGE STAINLESS STEEL
  - 16 GAUGE BRASS

- FINISHES :**
- #2B SATIN ON ALL TYPES
  - #4 BRUSHED ON ALL TYPES
  - #8 POLISHED ON ALL TYPES

**American Coffee Urn Manufacturing Co., Inc.**  
 Precision Sheet Metal  
 Design ♦ Engineering ♦ Fabrication  
 www.acumetalfab.com

**Proprietary and Confidential**  
 The Information contained in this drawing is the sole property of ACU Precision Sheet Metal. Any reproduction in part or as a whole without the written permission of ACU Precision Sheet Metal is Prohibited.  
 ACU Precision Sheet Metal is:  
 American Coffee Urn Manufacturing Co., Inc.

	NAME	DATE	TITLE:
DRAWN	M. Johs	07/14	<b>SSMD 5" SKIRTED SURFACE MOUNT W/DRAIN (CUSTOM 5") AMERICAN COFFEE URN</b>
MATERIAL	SEE NOTES		
FINISH	SEE NOTES	COMMENTS:	

DO NOT SCALE DRAWING