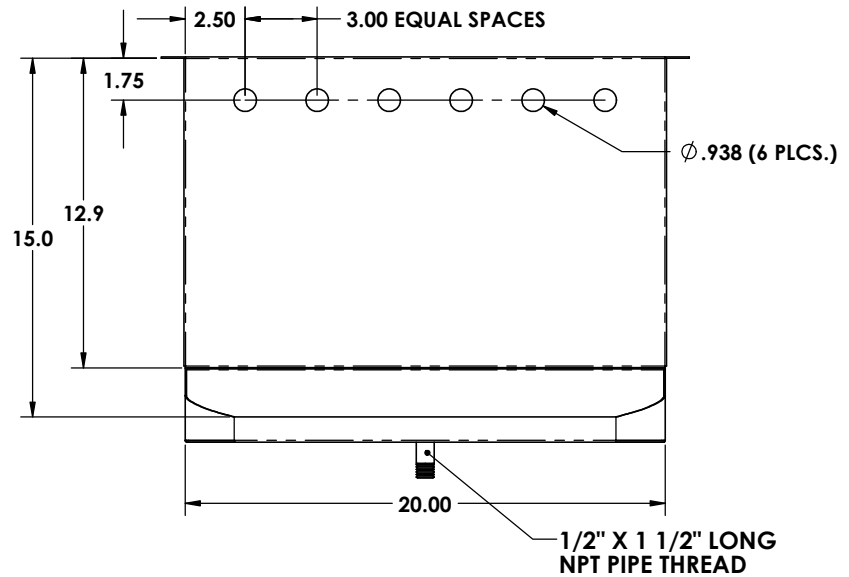
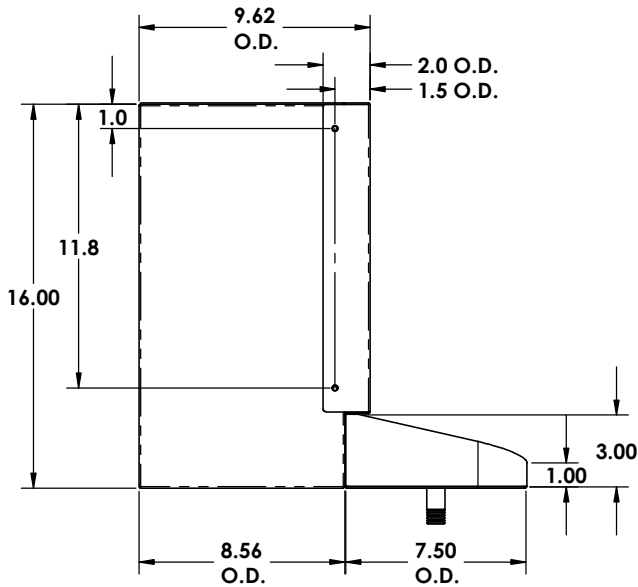
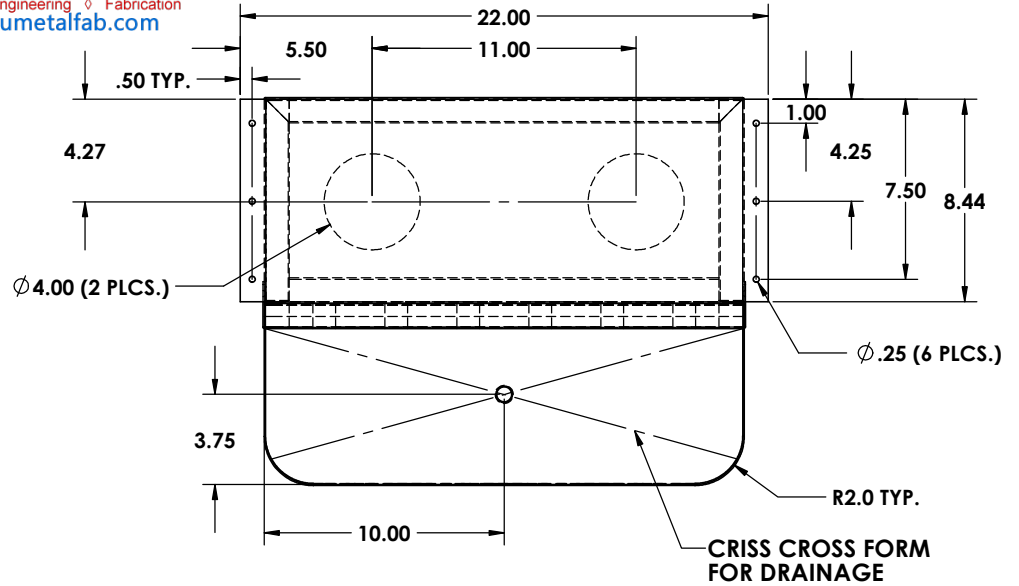
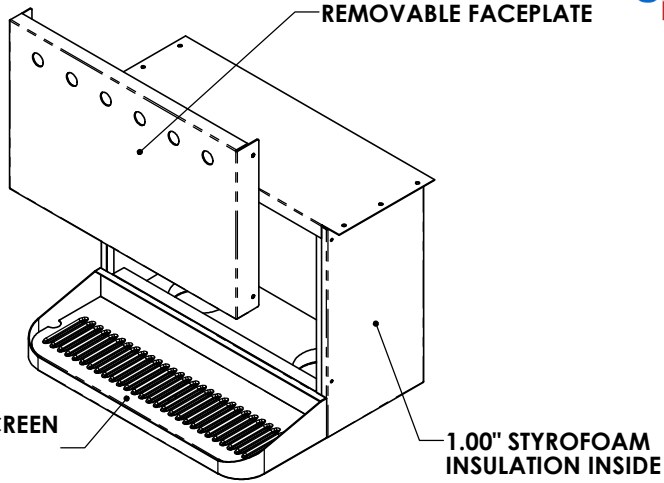


REV. NO.		REVISIONS	DATE	APPROVED
ZONE	REV.	DESCRIPTION		



PLEASE FILL IN CORRECT MEASUREMENTS WHERE NEEDED!

**ALL DIMENSIONS ARE INSIDE DIMENSIONS
 UNLESS OTHERWISE NOTED**

MATERIAL :
 18 GAUGE STAINLESS STEEL
 16 GAUGE STAINLESS STEEL
 16 GAUGE BRASS

FINISHES :
 #2B SATIN ON ALL TYPES
 #4 BRUSHED ON ALL TYPES
 #8 POLISHED ON ALL TYPES

Proprietary and Confidential
 The Information contained in this drawing is the sole property of ACU Precision Sheet Metal. Any reproduction in part or as a whole without the written permission of ACU Precision Sheet Metal is Prohibited.
 ACU Precision Sheet Metal is:
 American Coffee Urn Manufacturing Co., Inc.

NAME	DATE	TITLE:
M. Johs	08/14	SHAFT BOX W/ RADIUS DRIP TRAY
DRAWN		
MATERIAL		AMERICAN COFFEE URN
SEE NOTES		
FINISH	SEE NOTES	COMMENTS:
DO NOT SCALE DRAWING		