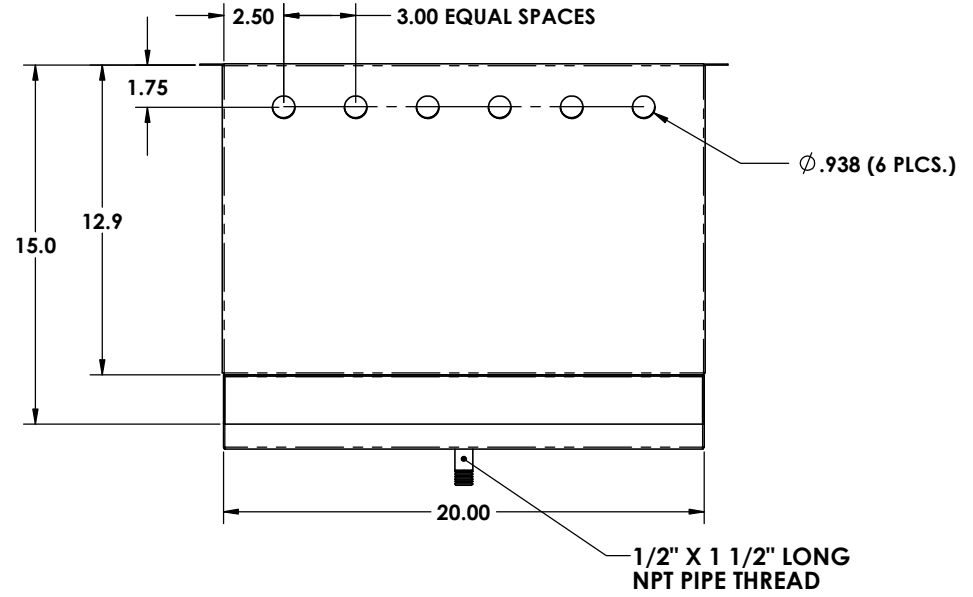
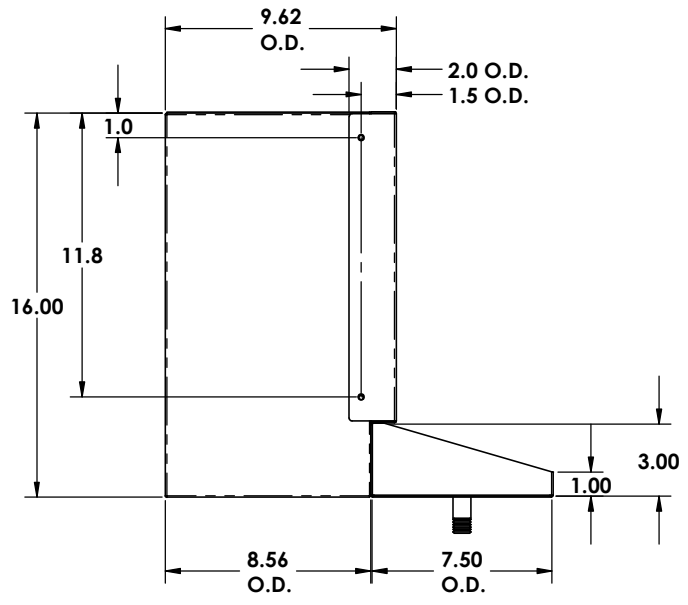
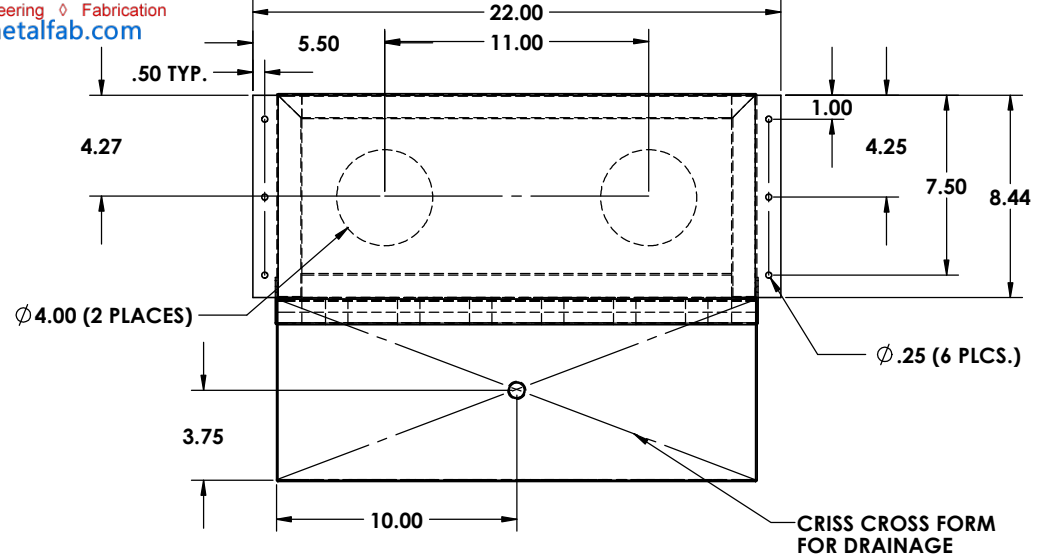
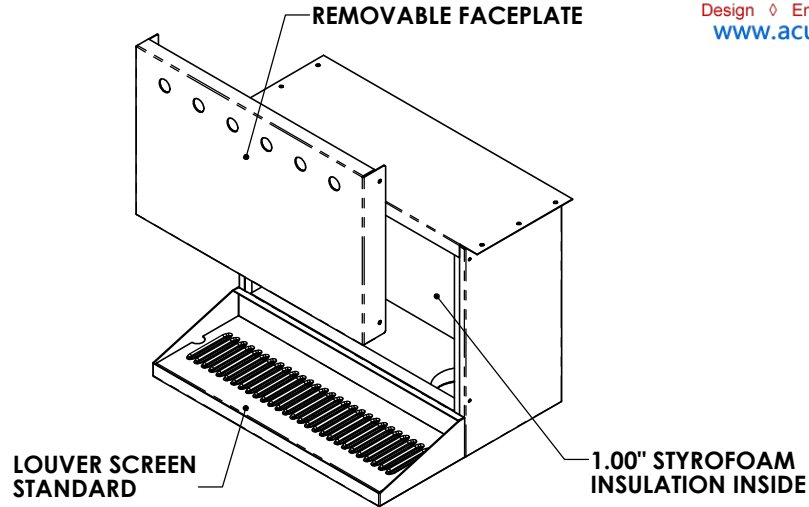


REV. NO.		REVISIONS	DATE	APPROVED



Please **Circle** the desired options Below:

ALL DIMENSIONS ARE INSIDE DIMENSIONS UNLESS OTHERWISE NOTED

- |                          |                          |
|--------------------------|--------------------------|
| <b>MATERIAL :</b>        | <b>FINISHES :</b>        |
| 18 GAUGE STAINLESS STEEL | #2B SATIN ON ALL TYPES   |
| 16 GAUGE STAINLESS STEEL | #4 BRUSHED ON ALL TYPES  |
| 16 GAUGE BRASS           | #8 POLISHED ON ALL TYPES |

PLEASE FILL IN CORRECT MEASUREMENTS WHERE NEEDED!

Proprietary and Confidential The Information contained in this drawing is the sole property of ACU Precision Sheet Metal. Any reproduction in part or as a whole without the written permission of ACU Precision Sheet Metal is Prohibited. ACU Precision Sheet Metal is: American Coffee Urn Manufacturing Co., Inc.	NAME	DATE	TITLE:
	M. Johs	08/14	
	MATERIAL	SEE NOTES	
	FINISH	SEE NOTES	COMMENTS: