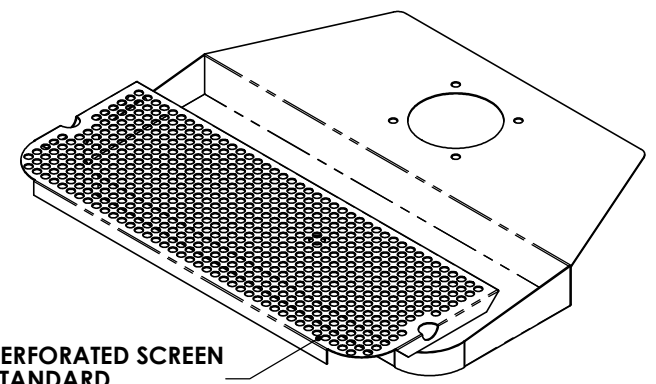
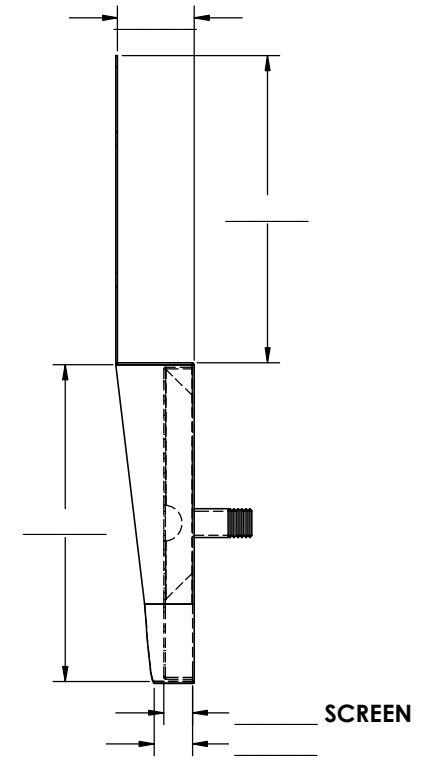
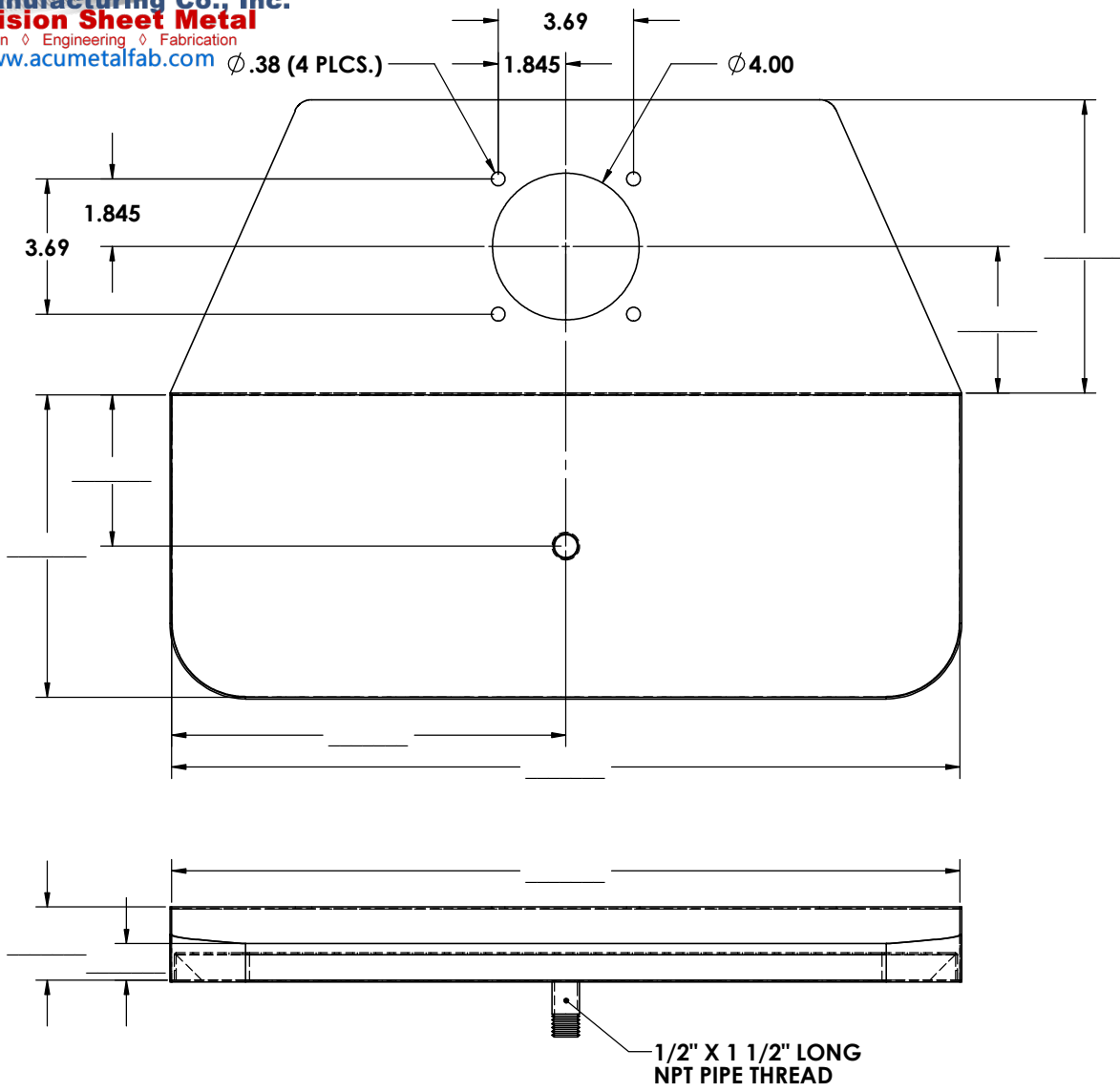


Please **Fill in** the desired measurements below:

REVISIONS		DATE	APPROVED
ZONE	REV.	DESCRIPTION	



Please **Circle** the desired options Below:

ALL DIMENSIONS ARE INSIDE DIMENSIONS
 UNLESS OTHERWISE NOTED

- MATERIAL :**
 18 GAUGE STAINLESS STEEL
 16 GAUGE BRASS
- FINISHES :**
 #2B SATIN ON ALL TYPES
 #4 BRUSHED ON ALL TYPES
 #8 POLISHED ON ALL TYPES

1/2" X 1 1/2" LONG
 NPT PIPE THREAD

Proprietary and Confidential
 The Information contained in this drawing is the sole property of ACU Precision Sheet Metal. Any reproduction in part or as a whole without the written permission of ACU Precision Sheet Metal is Prohibited.
 ACU Precision Sheet Metal is:
 American Coffee Urn Manufacturing Co., Inc.

	NAME	DATE
DRAWN	M. Johs	07/14
MATERIAL	SEE NOTES	
FINISH	SEE NOTES	COMMENTS:

www.acumetalfab.com

TITLE:
LARGE OVERHANG DRIP TRAY CUSTOM
AMERICAN COFFEE URN